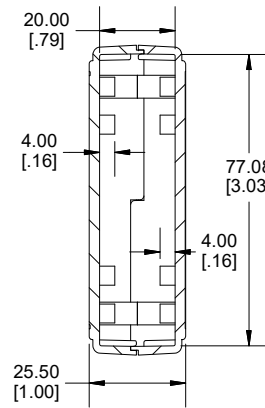
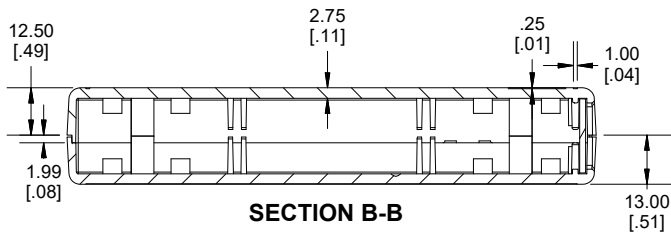
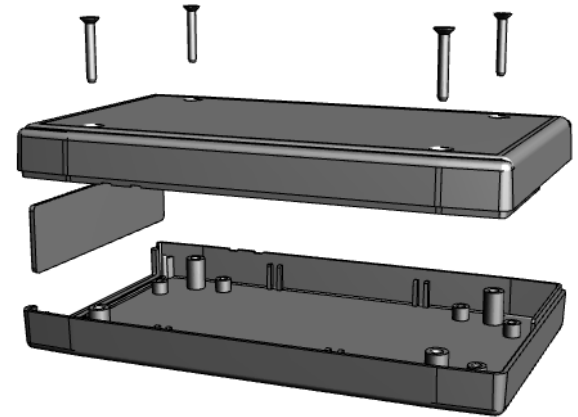


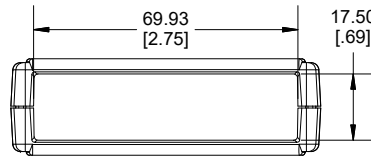
**TOP VIEW**



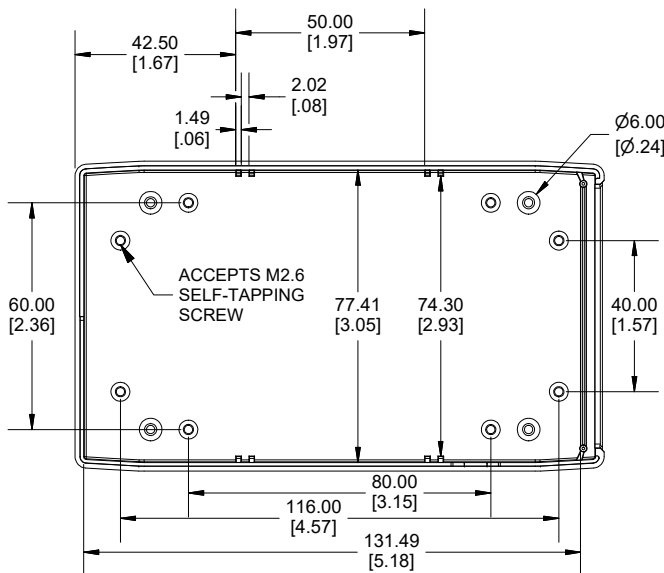
**SECTION A-A**



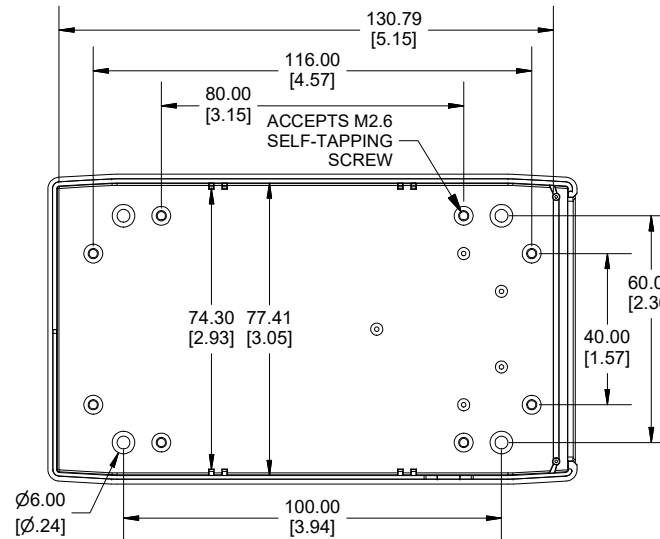
**SECTION B-B**



**END VIEW**



**INSIDE LID**



**INSIDE BOX**

Enclosures can be Factory Modified (Milling, Drilling, Printing etc.)  
 Contact Factory ([modshop@hammfg.com](mailto:modshop@hammfg.com)) for quotes  
 Solid models of this enclosure available in .stp or .x\_t  
 (Part number and text placement/orientation on our products are subject to change,  
 we do not recommend using them as a locating reference for modification purposes)

**NOTE**

Purchased assembly includes box, lid, 4 PCB screws, end panel, and 4 lid screws.

Recommended Torque : (43-50) Ozf.in / (30-35) cN.m

| RH Enclosure                                     |          |
|--|----------|
| General Purpose ABS Light Grey (UL94 HB)         | RH3145   |
| ACCESSORIES                                      |          |
| Cover screws (M2.6 X 18mm) Self-Tapping (50 pkg) | SC520-50 |
| PCB Screw (M2.6 X 6mm Self-tapping) (50 pkg)     | SC519-50 |
| Nylon Belt Clip Kit                              | CP-001G  |

**HAMMOND  
MANUFACTURING**

**RH3145**

[www.hammondmfg.com](http://www.hammondmfg.com)

Dimensions:  
 mm  
 [inches]