

1

2

3

4

REVISION	INDEX	PREVIOUS VALUE	NEW VALUE	APPROVED	DATE

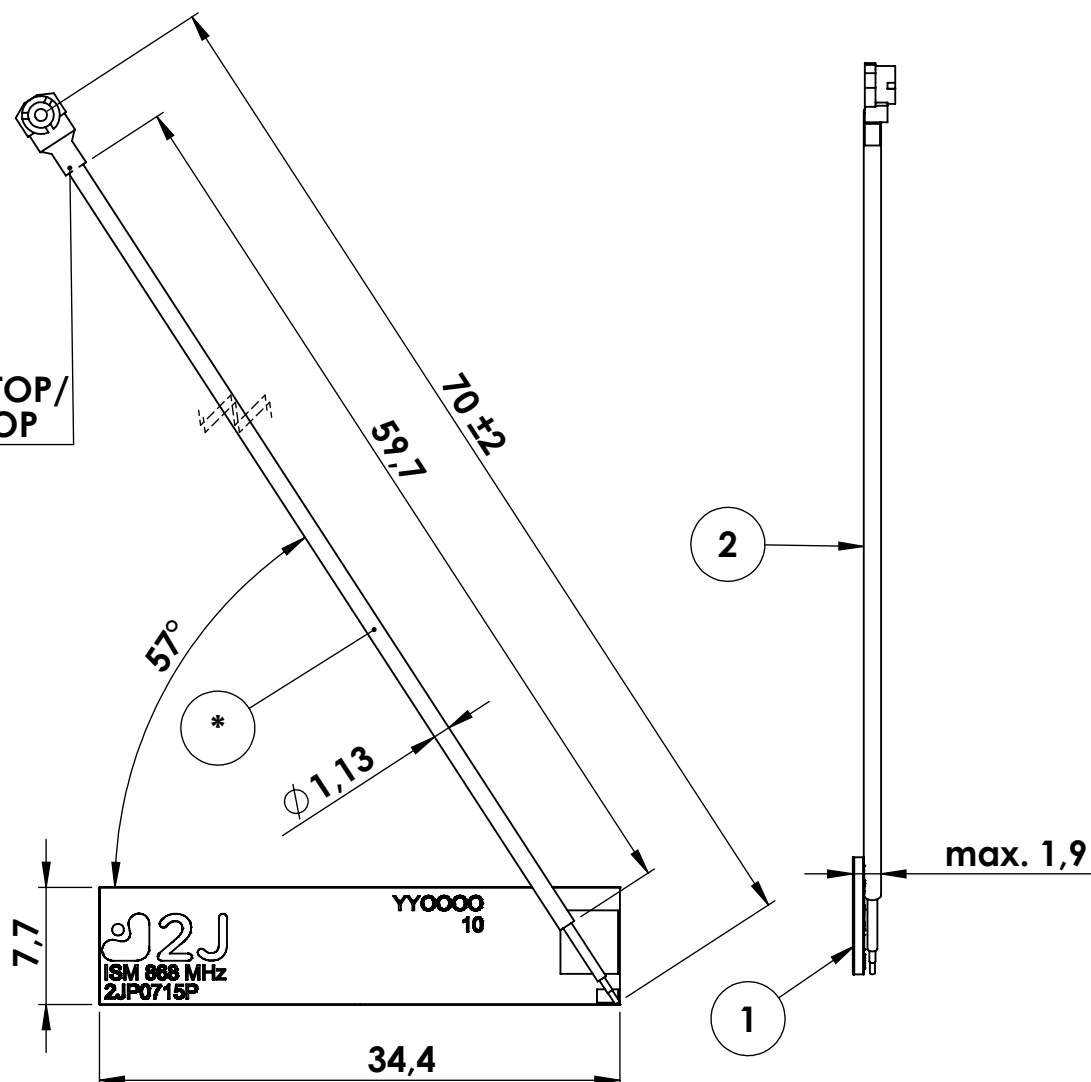
A

B

C

D

Connector orientation TOP/
Orientácia konektora TOP



*cable length can't be changed/ Dĺžka kábla nesmie byť zmenená!

ITEM NO.	PART NUMBER	DESCRIPTION	Stock No.	QTY.
1	PCB2JP0715P Ver 1.0	2J-PA-PCB2JP0715P-1.0-01	37410	1
2	007_113-UFL	Microcoax cable 1.13 with UFL connector	6886	1

ISO 2768-mK

THE INFORMATION CONTAINED IN THIS DRAWING IS THE SOLE PROPERTY OF 2J SRO

AUTHOR	M. Halža		DEBUR AND BREAK SHARP EDGES	STEFANIKOVA 61 BARDEJOV 085 01 TEL: +421 54 488 0130 SLOVAK REPUBLIC FAX: +421 54 488 2971	
DATE	6.7.2018				
CHECKED BY					
APPROVED					
NOTES:	FINISH:	TITLE: 2JP0715P-868-007_113-UFL			
	MATERIAL:	DWG NO. 2J-PR-2JP0715P-868-007_113-UFL-1.0-01		REVISION	A4
	WEIGHT: g	SCALE: 1:5			
DO NOT SCALE DRAWING		SHEET 1 OF 1		UNLESS OTHERWISE SPECIFIED: DIMENSIONS ARE IN MILLIMETERS	

F