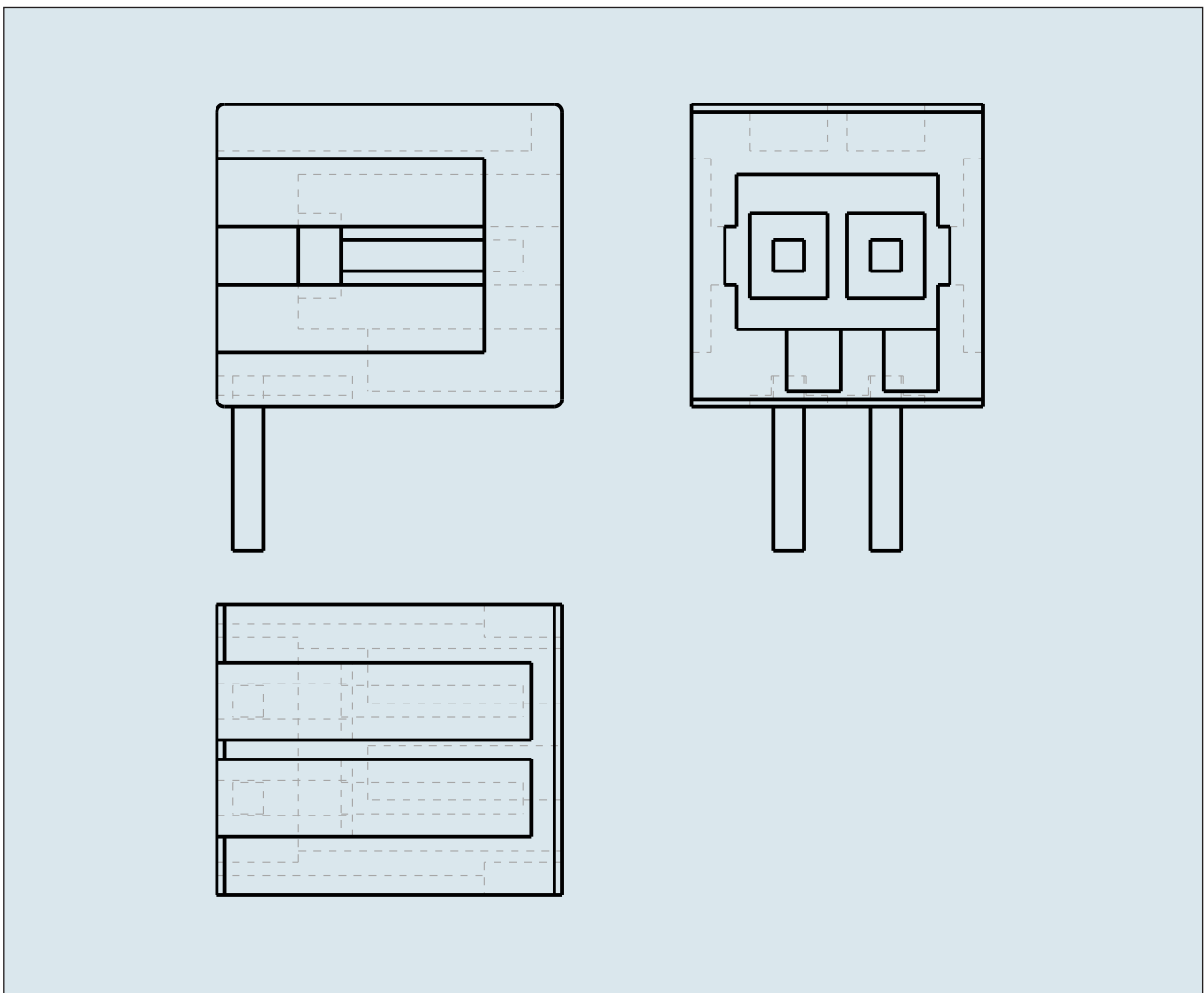
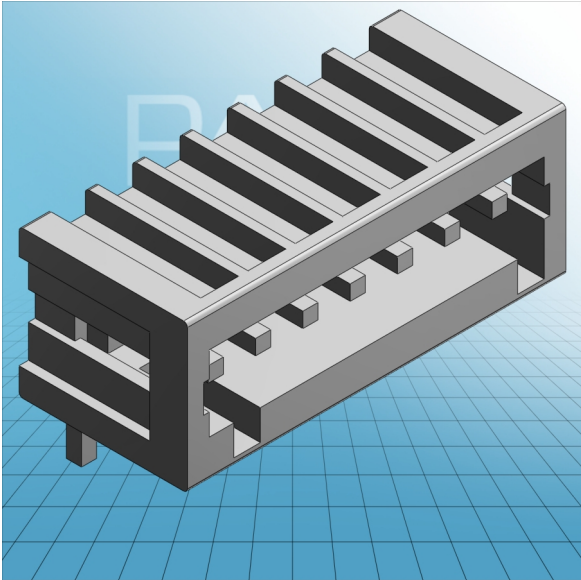


**HEADER RIGHT ANGLE SOLDER PIN
0.8x0.8 MM PIN SPACING 2.5 MM / 0.
098 IN 100% PROTECTED AGAINST
MISMATING**



**HEADER RIGHT ANGLE SOLDER PIN
0.8x0.8 MM PIN SPACING 2.5 MM / 0.
098 IN 100% PROTECTED AGAINST
MISMATING**

733-362 TO 733-372

ITEM-NO. (ITEM-NO.)	733-367
Measured voltage (Measured voltage / V)	160
Measured shock voltage (Measured shock voltage / kV)	2.5
Pollution degree (Pollution degree)	2
Current intensity (Current intensity / A)	6
RM (PIN SPACING / mm)	2.5
P (NO. OF POLES)	7
Height (Height / mm)	7.8
Width (Width / mm)	20
Depth (Depth / mm)	8.9
COLOR (COLOR)	lichtgrau
Comment (Comment)	L = (No. of poles + 1) x Pin Spacing
Dimensions (Dimensions)	1,1 +0,1 mm
RGB (RGB)	0.82,0.82,0.82,0