

## Description

The **Arduino® Nano 33 BLE Rev2\*** is a miniature-sized module containing a NINA B306 module, based on Nordic nRF52480 and containing an Arm® Cortex®-M4F. The BMI270 and BMM150 jointly provide a 9-axis IMU. The module can either be mounted as a DIP component (when mounting pin headers) or as a SMT component, directly soldering it via the castellated pads.

\*Nano 33 BLE Rev2 product has two SKUs:

- Without headers (ABX00071)
- With headers (ABX00072)

## Target Areas

Maker, enhancements, IoT application

## Features

- **NINA B306 Module**
  - **Processor**
    - 64 MHz Arm® Cortex®-M4F (with FPU)
    - 1 MB Flash + 256 kB RAM
  - **Bluetooth® 5 multiprotocol radio**
    - 2 Mbps
    - CSA #2
    - Advertising Extensions
    - Long Range
    - +8 dBm TX power
    - -95 dBm sensitivity
    - 4.8 mA in TX (0 dBm)
    - 4.6 mA in RX (1 Mbps)
    - Integrated balun with 50  $\Omega$  single-ended output
    - IEEE 802.15.4 radio support
    - Thread
    - Zigbee®
  - **Peripherals**
    - Full-speed 12 Mbps USB
    - NFC-A tag
    - Arm® CryptoCell CC310 security subsystem
    - QSPI/SPI/TWI/I<sup>2</sup>S/PDM/QDEC
    - High speed 32 MHz SPI
    - Quad SPI interface 32 MHz
    - EasyDMA for all digital interfaces
    - 12-bit 200 ksp/s ADC
    - 128 bit AES/ECB/CCM/AAR co-processor
- **BMI270** 6-axis IMU (Accelerometer and Gyroscope)
  - 16-bit
  - 3-axis accelerometer with  $\pm 2g/\pm 4g/\pm 8g/\pm 16g$  range
  - 3-axis gyroscope with  $\pm 125dps/\pm 250dps/\pm 500dps/\pm 1000dps/\pm 2000dps$  range
- **BMM150** 3-axis IMU (Magnetometer)
  - 3-axis digital geomagnetic sensor
  - 0.3 $\mu$ T resolution
  - $\pm 1300\mu$ T (x,y-axis),  $\pm 2500\mu$ T (z-axis)
- **MP2322** DC-DC
  - Regulates input voltage from up to 21V with a minimum of 65% efficiency @minimum load
  - More than 85% efficiency @12V

# Contents

<b>1 The Board</b>	<b>4</b>
1.1 Ratings	4
1.1.1 Recommended Operating Conditions	4
1.2 Power Consumption	4
<b>2 Functional Overview</b>	<b>5</b>
2.1 Board Topology	5
2.2 Processor	6
2.3 IMU	6
2.4 Power Tree	6
2.5 Block Diagram	7
<b>3 Board Operation</b>	<b>8</b>
3.1 Getting Started - IDE	8
3.2 Getting Started - Arduino Cloud Editor	8
3.3 Getting Started - Arduino Cloud	8
3.4 Sample Sketches	8
3.5 Online Resources	8
3.6 Board Recovery	9
<b>4 Connector Pinouts</b>	<b>9</b>
4.1 USB	10
4.2 Headers	10
4.3 Debug	11
<b>5 Mechanical Information</b>	<b>11</b>
5.1 Board Outline and Mounting Holes	11
<b>6 Certifications</b>	<b>12</b>
6.1 Declaration of Conformity CE DoC (EU)	12
6.2 Declaration of Conformity to EU RoHS & REACH 211 01/19/2021	12
6.3 Conflict Minerals Declaration	13
<b>7 FCC Caution</b>	<b>13</b>
<b>8 Company Information</b>	<b>14</b>
<b>9 Reference Documentation</b>	<b>14</b>
<b>10 Revision History</b>	<b>15</b>



## 1 The Board

As all Nano form factor boards, Nano 33 BLE Rev2 does not have a battery charger but can be powered through USB or headers.

**NOTE:** Nano 33 BLE Rev2 only supports 3.3 V I/Os and is **NOT** 5V tolerant so please make sure you are not directly connecting 5 V signals to this board or it will be damaged. Also, as opposed to other Arduino Nano boards that support 5 V operation, the 5V pin does NOT supply voltage but is rather connected, through a jumper, to the USB power input.

### 1.1 Ratings

#### 1.1.1 Recommended Operating Conditions

Symbol	Description	Min	Max
	Conservative thermal limits for the whole board:	-40 °C ( 40 °F)	85 °C ( 185 °F)

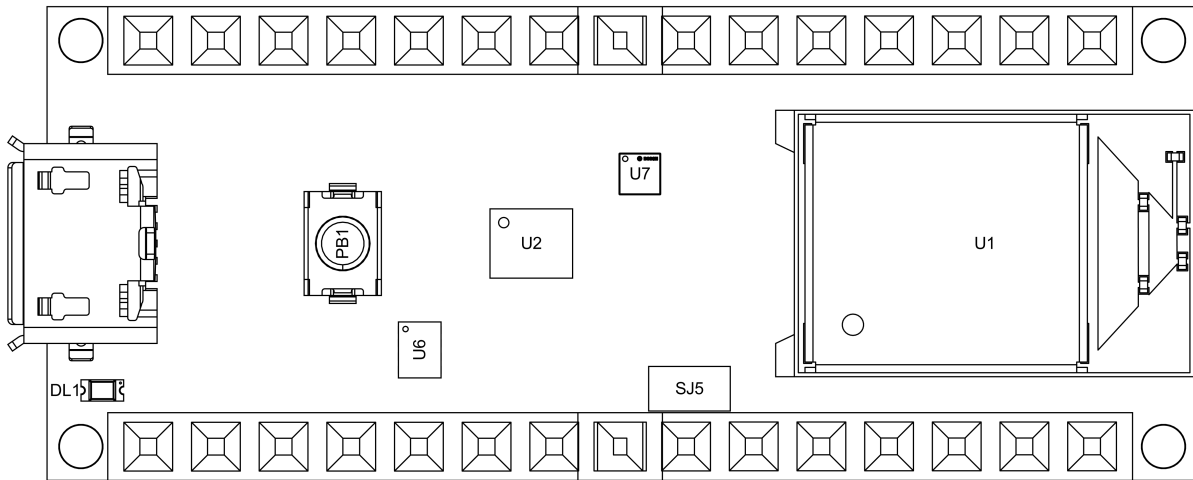
### 1.2 Power Consumption

Symbol	Description	Min	Typ	Max	Unit
PBL	Power consumption with busy loop		TBC		mW
PLP	Power consumption in low power mode		TBC		mW
PMAX	Maximum Power Consumption		TBC		mW

## 2 Functional Overview

### 2.1 Board Topology

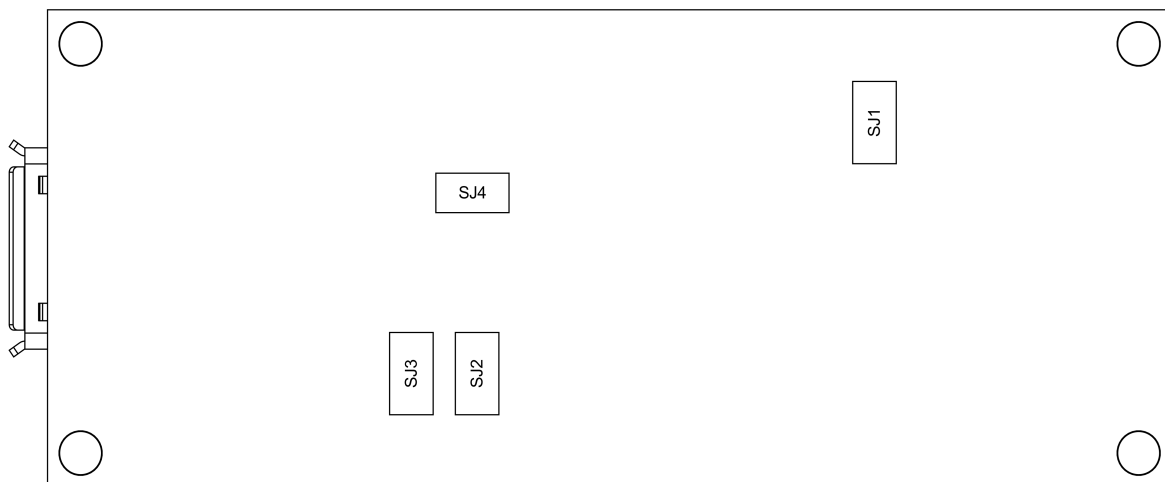
Top:



Board topology top

Ref.	Description	Ref.	Description
U1	NINA-B306 Module Bluetooth® Low Energy 5.0 Module	U6	MP2322GQH Step Down Converter
U2	BMI270 Sensor IMU	PB1	IT-1185AP1C-160G-GTR Push button
U7	BMM150 Magnetometer IC	DL1	Led L
SJ5	VUSB Jumper		

Bottom:



Board topology bot

Ref.	Description	Ref.	Description
SJ1	VUSB Jumper	SJ2	D7 Jumper
SJ3	3V3 Jumper	SJ4	D8 Jumper

## 2.2 Processor

The Main Processor is an Arm® Cortex®-M4F running at up to 64 MHz. Most of its pins are connected to the external headers however some are reserved for internal communication with the wireless module and the on-board internal I<sup>2</sup>C peripherals (IMU and Crypto).

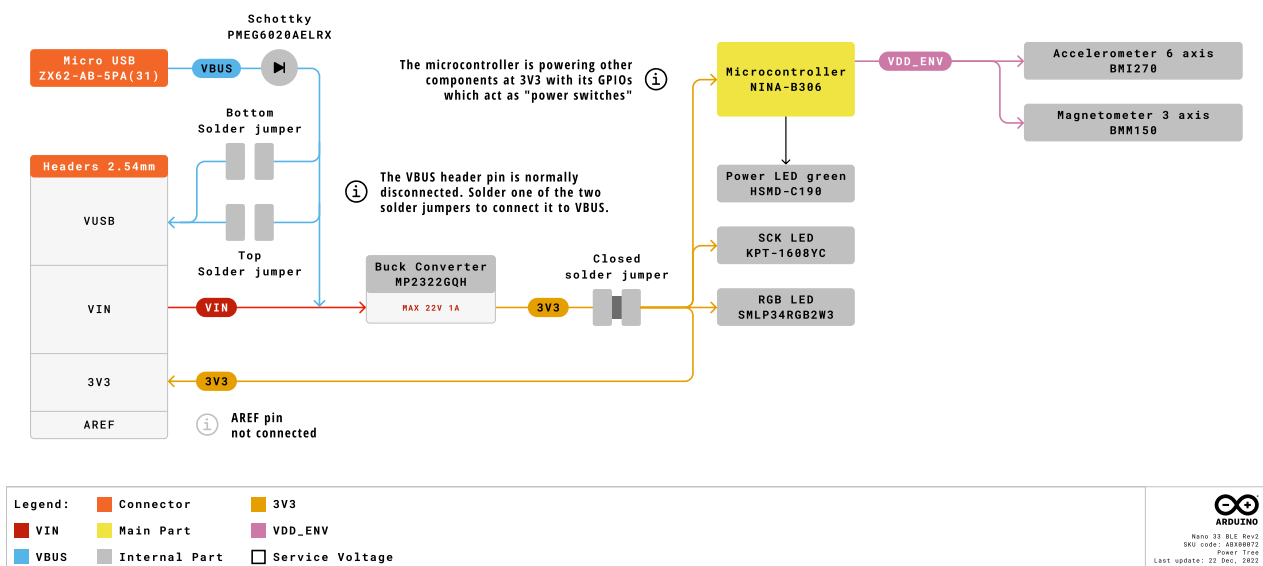
**NOTE:** As opposed to other Arduino Nano boards, pins A4 and A5 have an internal pull-up and default to be used as an I<sup>2</sup>C Bus so usage as analog inputs is not recommended.

## 2.3 IMU

Nano 33 BLE Rev2 provides IMU capabilities with 9-axis, through a combination of the BMI270 and BMM150 ICs. The BMI270 includes both a three-axis gyroscope as well as a three-axis accelerometer, while the BMM150 is capable of sensing magnetic field variations in all three dimensions. The information obtained can be used for measuring raw movement parameters as well as for machine learning.

## 2.4 Power Tree

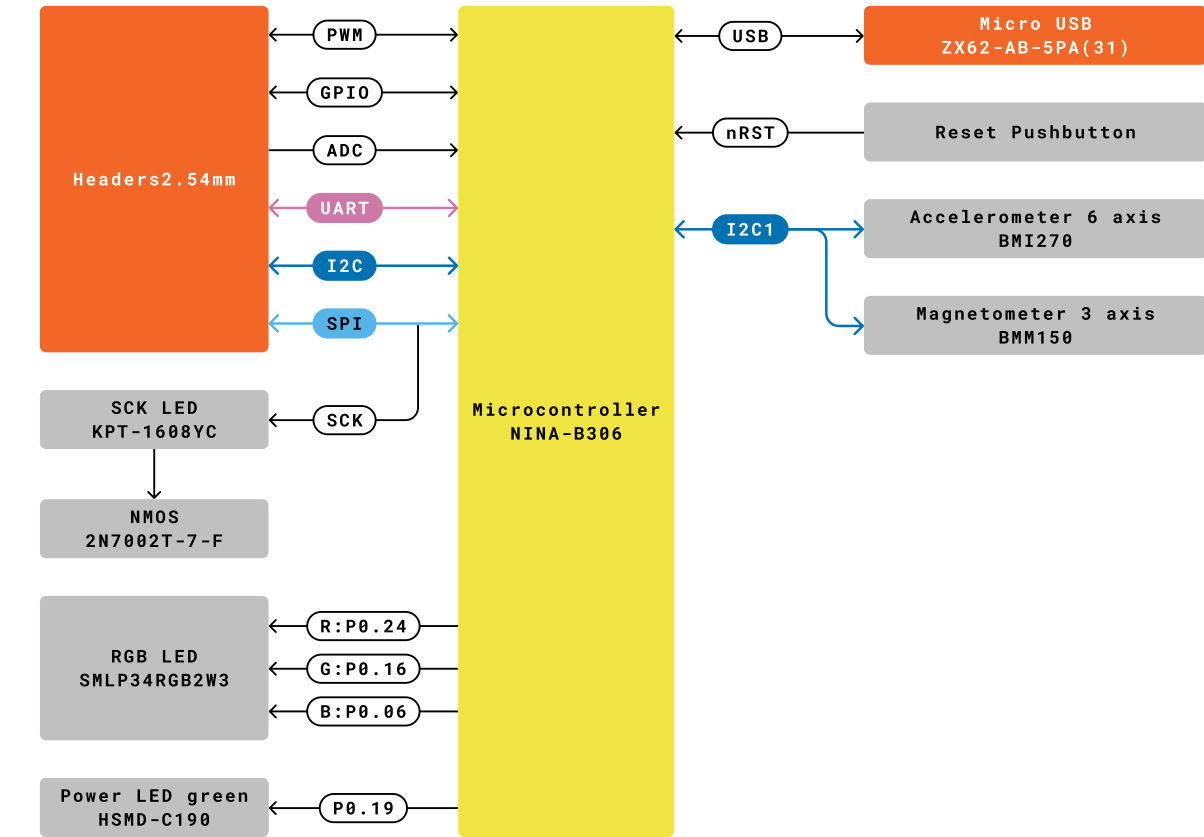
The board can be powered via USB connector,  $V_{IN}$  or  $V_{USB}$  pins on headers.



Power tree

**NOTE:** Since  $V_{USB}$  feeds  $V_{IN}$  via a Schottky diode and a DC-DC regulator specified minimum input voltage is 4.5 V the minimum supply voltage from USB has to be increased to a voltage in the range between 4.8 V to 4.96 V depending on the current being drawn.

## 2.5 Block Diagram



<b>Legend:</b>	<span style="display:inline-block; width:15px; height:15px; background-color:orange; border:1px solid black;"></span> Connector	<span style="display:inline-block; width:15px; height:15px; background-color:blue; border:1px solid black;"></span> I2C/I2S	<span style="display:inline-block; width:15px; height:15px; border:1px solid black;"></span> Other SERIAL
	<span style="display:inline-block; width:15px; height:15px; background-color:yellow; border:1px solid black;"></span> Main Part	<span style="display:inline-block; width:15px; height:15px; background-color:lightblue; border:1px solid black;"></span> SPI	
	<span style="display:inline-block; width:15px; height:15px; background-color:grey; border:1px solid black;"></span> Internal Part	<span style="display:inline-block; width:15px; height:15px; background-color:purple; border:1px solid black;"></span> UART/USART	

Nano 33 BLE Rev2  
SKU code: ABX00072  
Block Diagram  
Last update: 22 Dec, 2022

Block Diagram



## 3 Board Operation

### 3.1 Getting Started - IDE

If you want to program your Nano 33 BLE Rev2 while offline you need to install the Arduino Desktop IDE [1] To connect the Nano 33 BLE Rev2 to your computer, you'll need a Micro-B USB cable. This also provides power to the board, as indicated by the LED.

### 3.2 Getting Started - Arduino Cloud Editor

All Arduino boards, including this one, work out-of-the-box on the Arduino Cloud Editor [2], by just installing a simple plugin.

The Arduino Cloud Editor is hosted online, therefore it will always be up-to-date with the latest features and support for all boards. Follow [3] to start coding on the browser and upload your sketches onto your board.

### 3.3 Getting Started - Arduino Cloud

All Arduino IoT-enabled products are supported on Arduino Cloud which allows you to log, graph and analyze sensor data, trigger events, and automate your home or business.

### 3.4 Sample Sketches

Sample sketches for the Nano 33 BLE Sense can be found either in the "Examples" menu in the Arduino IDE or in the "Built-in Examples" section of the Arduino Docs website.

### 3.5 Online Resources

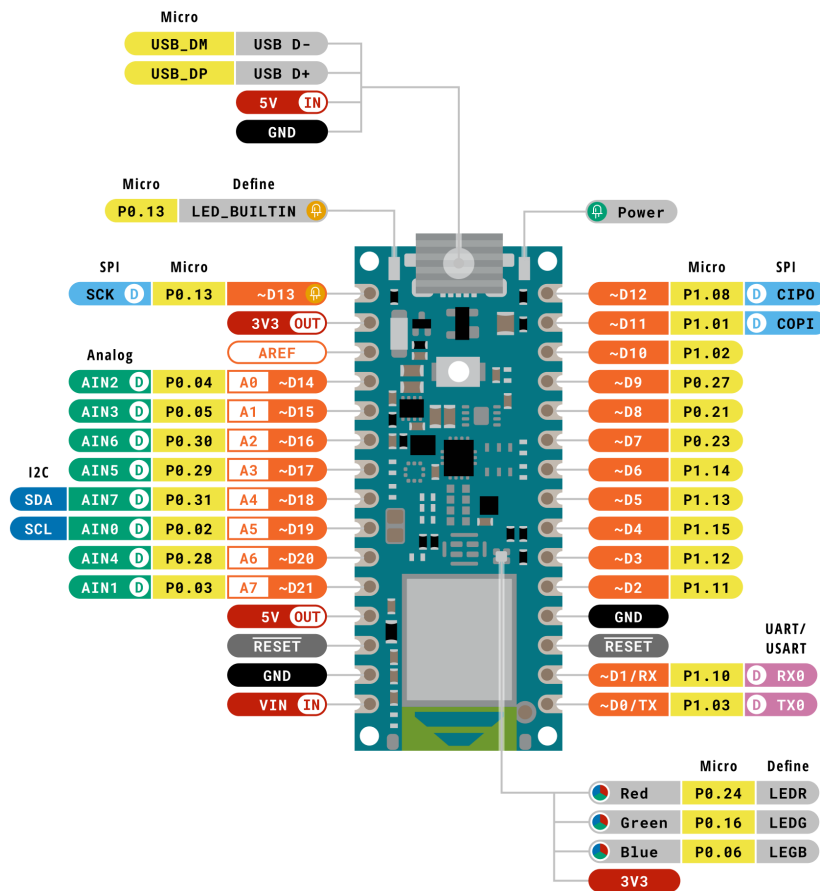
Now that you have gone through the basics of what you can do with the board you can explore the endless possibilities it provides by checking exciting projects on Arduino Project Hub [4], the Arduino Library Reference [5] and the online store where you will be able to complement your board with sensors, actuators and more.



### 3.6 Board Recovery

All Arduino boards have a built-in bootloader which allows flashing the board via USB. In case a sketch locks up the processor and the board is not reachable anymore via USB it is possible to enter bootloader mode by double-tapping the reset button right after powering up the board.

## 4 Connector Pinouts



<b>Legend:</b>	Digital	I2C	Other SERIAL
Power	Analog	SPI	Analog
Ground	Main Part	UART/USART	PWM/Timer

Nano 33 BLE Rev2  
SKU code: ABX00071  
Pinout  
Last update: 23 November, 2023

Pinout

## 4.1 USB

Pin	Function	Type	Description
1	VUSB	Power	Power Supply Input. If board is powered via VUSB from header this is an Output <b>(1)</b>
2	D-	Differential	USB differential data -
3	D+	Differential	USB differential data +
4	ID	Analog	Selects Host/Device functionality
5	GND	Power	Power Ground

## 4.2 Headers

The board exposes two 15-pin connectors which can either be assembled with pin headers or soldered through castellated vias.

Pin	Function	Type	Description
1	D13	Digital	GPIO
2	+3V3	Power Out	Internally generated power output to external devices
3	AREF	Analog	Analog Reference; can be used as GPIO
4	A0/DAC0	Analog	ADC in/DAC out; can be used as GPIO
5	A1	Analog	ADC in; can be used as GPIO
6	A2	Analog	ADC in; can be used as GPIO
7	A3	Analog	ADC in; can be used as GPIO
8	A4/SDA	Analog	ADC in; I2C SDA; Can be used as GPIO <b>(1)</b>
9	A5/SCL	Analog	ADC in; I2C SCL; Can be used as GPIO <b>(1)</b>
10	A6	Analog	ADC in; can be used as GPIO
11	A7	Analog	ADC in; can be used as GPIO
12	VUSB	Power In/Out	Normally NC; can be connected to VUSB pin of the USB connector by shorting a jumper
13	RST	Digital In	Active low reset input (duplicate of pin 18)
14	GND	Power	Power Ground
15	VIN	Power In	Vin Power input
16	TX	Digital	USART TX; can be used as GPIO
17	RX	Digital	USART RX; can be used as GPIO
18	RST	Digital	Active low reset input (duplicate of pin 13)
19	GND	Power	Power Ground
20	D2	Digital	GPIO
21	D3/PWM	Digital	GPIO; can be used as PWM
22	D4	Digital	GPIO
23	D5/PWM	Digital	GPIO; can be used as PWM
24	D6/PWM	Digital	GPIO, can be used as PWM
25	D7	Digital	GPIO
26	D8	Digital	GPIO
27	D9/PWM	Digital	GPIO; can be used as PWM
28	D10/PWM	Digital	GPIO; can be used as PWM
29	D11/MOSI	Digital	SPI MOSI; can be used as GPIO

Pin	Function	Type	Description
30	D12/MISO	Digital	SPI MISO; can be used as GPIO

### 4.3 Debug

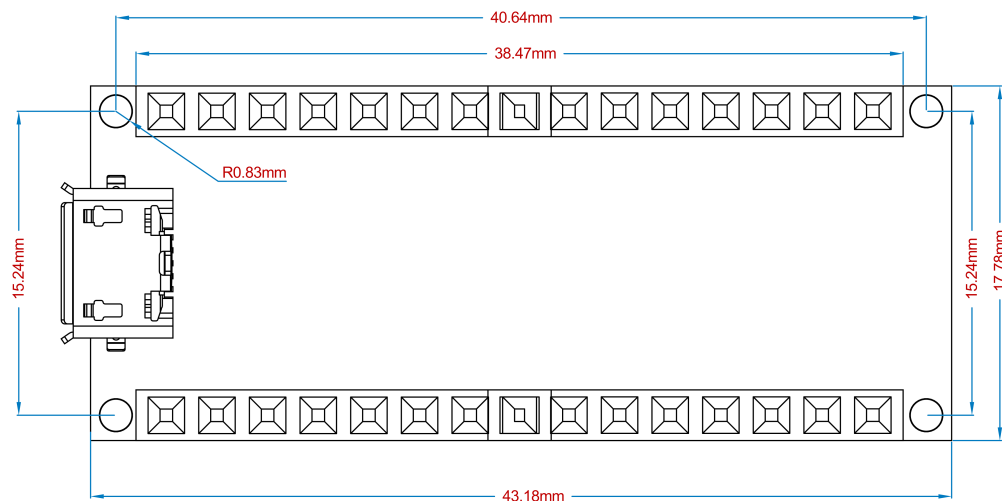
On the bottom side of the board, under the communication module, debug signals are arranged as 3x2 test pads with 100 mil pitch with pin 4 removed. Pin 1 is depicted in Figure 3 – Connector Positions

Pin	Function	Type	Description
1	+3V3	Power Out	Internally generated power output to be used as voltage reference
2	SWD	Digital	nRF52480 Single Wire Debug Data
3	SWCLK	Digital In	nRF52480 Single Wire Debug Clock
5	GND	Power	Power Ground
6	RST	Digital In	Active low reset input

## 5 Mechanical Information

### 5.1 Board Outline and Mounting Holes

The board measures are mixed between metric and imperial. Imperial measures are used to maintain a 100 mil pitch grid between pin rows to allow them to fit a breadboard whereas board length is Metric.



Board layout

## 6 Certifications

### 6.1 Declaration of Conformity CE DoC (EU)

We declare under our sole responsibility that the products above conform with the essential requirements of the following EU Directives and therefore qualify for free movement within markets comprising the European Union (EU) and European Economic Area (EEA).

### 6.2 Declaration of Conformity to EU RoHS & REACH 211 01/19/2021

Arduino boards are in compliance with RoHS 2 Directive 2011/65/EU of the European Parliament and RoHS 3 Directive 2015/863/EU of the Council of 4 June 2015 on the restriction of the use of certain hazardous substances in electrical and electronic equipment.

Substance	Maximum limit (ppm)
Lead (Pb)	1000
Cadmium (Cd)	100
Mercury (Hg)	1000
Hexavalent Chromium (Cr6+)	1000
Poly Brominated Biphenyls (PBB)	1000
Poly Brominated Diphenyl ethers (PBDE)	1000
Bis(2-Ethylhexyl} phthalate (DEHP)	1000
Benzyl butyl phthalate (BBP)	1000
Dibutyl phthalate (DBP)	1000
Diisobutyl phthalate (DIBP)	1000

Exemptions: No exemptions are claimed.

Arduino boards are fully compliant with the related requirements of European Union Regulation (EC) 1907 /2006 concerning the Registration, Evaluation, Authorization and Restriction of Chemicals (REACH). We declare none of the SVHCs (<https://echa.europa.eu/web/guest/candidate-list-table>), the Candidate List of Substances of Very High Concern for authorization currently released by ECHA, is present in all products (and also package) in quantities totaling in a concentration equal or above 0.1%. To the best of our knowledge, we also declare that our products do not contain any of the substances listed on the "Authorization List" (Annex XIV of the REACH regulations) and Substances of Very High Concern (SVHC) in any significant amounts as specified by the Annex XVII of Candidate list published by ECHA (European Chemical Agency) 1907 /2006/EC.

### 6.3 Conflict Minerals Declaration

As a global supplier of electronic and electrical components, Arduino is aware of our obligations with regard to laws and regulations regarding Conflict Minerals, specifically the Dodd-Frank Wall Street Reform and Consumer Protection Act, Section 1502. Arduino does not directly source or process conflict minerals such as Tin, Tantalum, Tungsten, or Gold. Conflict minerals are contained in our products in the form of solder or as a component in metal alloys. As part of our reasonable due diligence, Arduino has contacted component suppliers within our supply chain to verify their continued compliance with the regulations. Based on the information received thus far we declare that our products contain Conflict Minerals sourced from conflict-free areas.

## 7 FCC Caution

Any Changes or modifications not expressly approved by the party responsible for compliance could void the user's authority to operate the equipment.

This device complies with part 15 of the FCC Rules. Operation is subject to the following two conditions:

- (1) This device may not cause harmful interference
- (2) this device must accept any interference received, including interference that may cause undesired operation.

#### **FCC RF Radiation Exposure Statement:**

1. This Transmitter must not be co-located or operating in conjunction with any other antenna or transmitter.
2. This equipment complies with RF radiation exposure limits set forth for an uncontrolled environment.
3. This equipment should be installed and operated with a minimum distance of 20cm between the radiator & your body.

English: User manuals for license-exempt radio apparatus shall contain the following or equivalent notice in a conspicuous location in the user manual, alternatively on the device or both. This device complies with Industry Canada license-exempt RSS standard(s). Operation is subject to the following two conditions:

- (1) this device may not cause interference
- (2) this device must accept any interference, including interference that may cause undesired operation of the device.

French: Le présent appareil est conforme aux CNR d'Industrie Canada applicables aux appareils radio exempts de licence. L'exploitation est autorisée aux deux conditions suivantes :

- (1) l'appareil ne doit pas produire de brouillage
- (2) l'utilisateur de l'appareil doit accepter tout brouillage radioélectrique subi, même si le brouillage est susceptible d'en compromettre le fonctionnement.

#### **IC SAR Warning:**

English This equipment should be installed and operated with a minimum distance of 20 cm between the radiator and your body.



French: Lors de l'installation et de l'exploitation de ce dispositif, la distance entre le radiateur et le corps est d'au moins 20 cm.

**Important:** The operating temperature of the EUT can't exceed 85°C and shouldn't be lower than -40°C.

Hereby, Arduino S.r.l. declares that this product complies with essential requirements and other relevant provisions of Directive 2014/53/EU. This product is allowed to be used in all EU member states.

Frequency bands	Maximum output power (ERP)
863-870Mhz	TBD

## 8 Company Information

Company name	Arduino S.r.l
Company Address	Via Andrea Appiani 25 20900 MONZA Italy

## 9 Reference Documentation

Reference	Link
Arduino IDE (Desktop)	<a href="https://www.arduino.cc/en/software">https://www.arduino.cc/en/software</a>
Arduino Cloud Editor	<a href="https://create.arduino.cc/editor">https://create.arduino.cc/editor</a>
Arduino Cloud Editor - Getting Started	<a href="https://docs.arduino.cc/arduino-cloud/guides/editor/">https://docs.arduino.cc/arduino-cloud/guides/editor/</a>
Arduino Project Hub	<a href="https://create.arduino.cc/projecthub?by=part&amp;part_id=11332&amp;sort=trending">https://create.arduino.cc/projecthub?by=part&amp;part_id=11332&amp;sort=trending</a>
Library Reference	<a href="https://www.arduino.cc/reference/en/">https://www.arduino.cc/reference/en/</a>
Forum	<a href="http://forum.arduino.cc/">http://forum.arduino.cc/</a>
Nina B306	<a href="https://content.u-blox.com/sites/default/files/NINA-B3_DataSheet_UBX-17052099.pdf">https://content.u-blox.com/sites/default/files/NINA-B3_DataSheet_UBX-17052099.pdf</a>



## 10 Revision History

Date	Changes
25/04/2024	Updated link to new Cloud Editor
2024/02/21	First Release