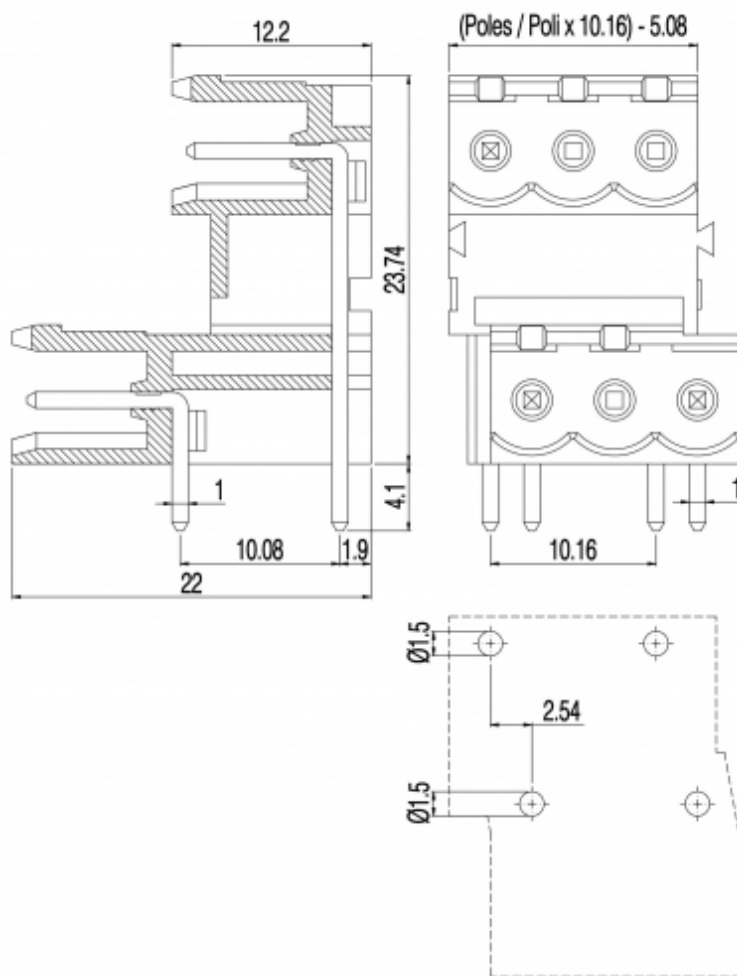
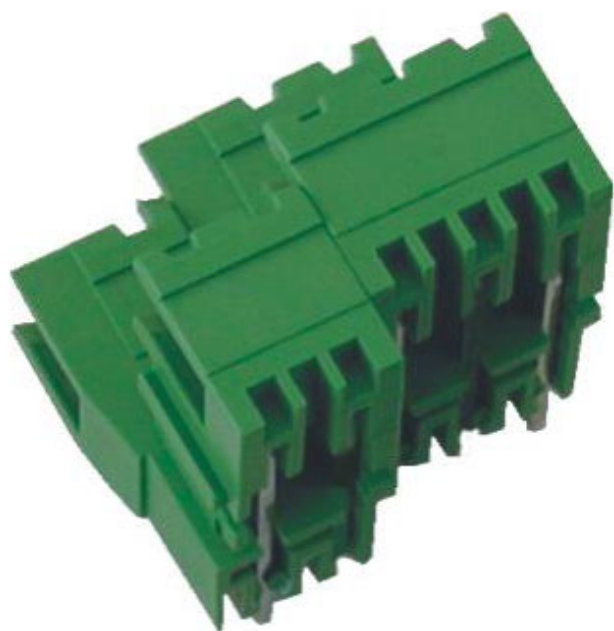


PDSVxx-10,16-H euroclamp



Male plug-in connector - Horizontal - Dual row - Staggered - Modular version - Pitch 10,16mm - 01÷02 poles

GENERAL INFORMATION

pitch:	10,16 mm
housing height:	23,74 mm
housing depth:	22 mm
dimensional class:	medium
wire section:	-
clamp opening size:	-
wire stripping:	-
operating temperature:	-40°C ÷ +130°C

ELECTRICAL CHARACTERISTICS

current:	15A
voltage:	500V
impulse voltage:	6 kV

MECHANICAL CHARACTERISTICS

APPROVALS DATA



EN 61984
15A

current:



EN 61984
15A



UL 1059
12A factory / 12A field

voltage:	500V	500V	600V
FILE:	CA02.04178	40005779	E178356

MATERIALS

housing: PA - UL 94 V0
 screw: n/a
 clamp/spring: n/a
 terminal: Tin-plated copper alloy

AVAILABLE COLOURS



other colours: upon request

poles	P/N	pcs/pack	W [Kg]*	W [Kg]*
01	PDSV01-10,16-H	N/A	N/A	N/A
02	PDSV02-10,16-H	N/A	N/A	N/A