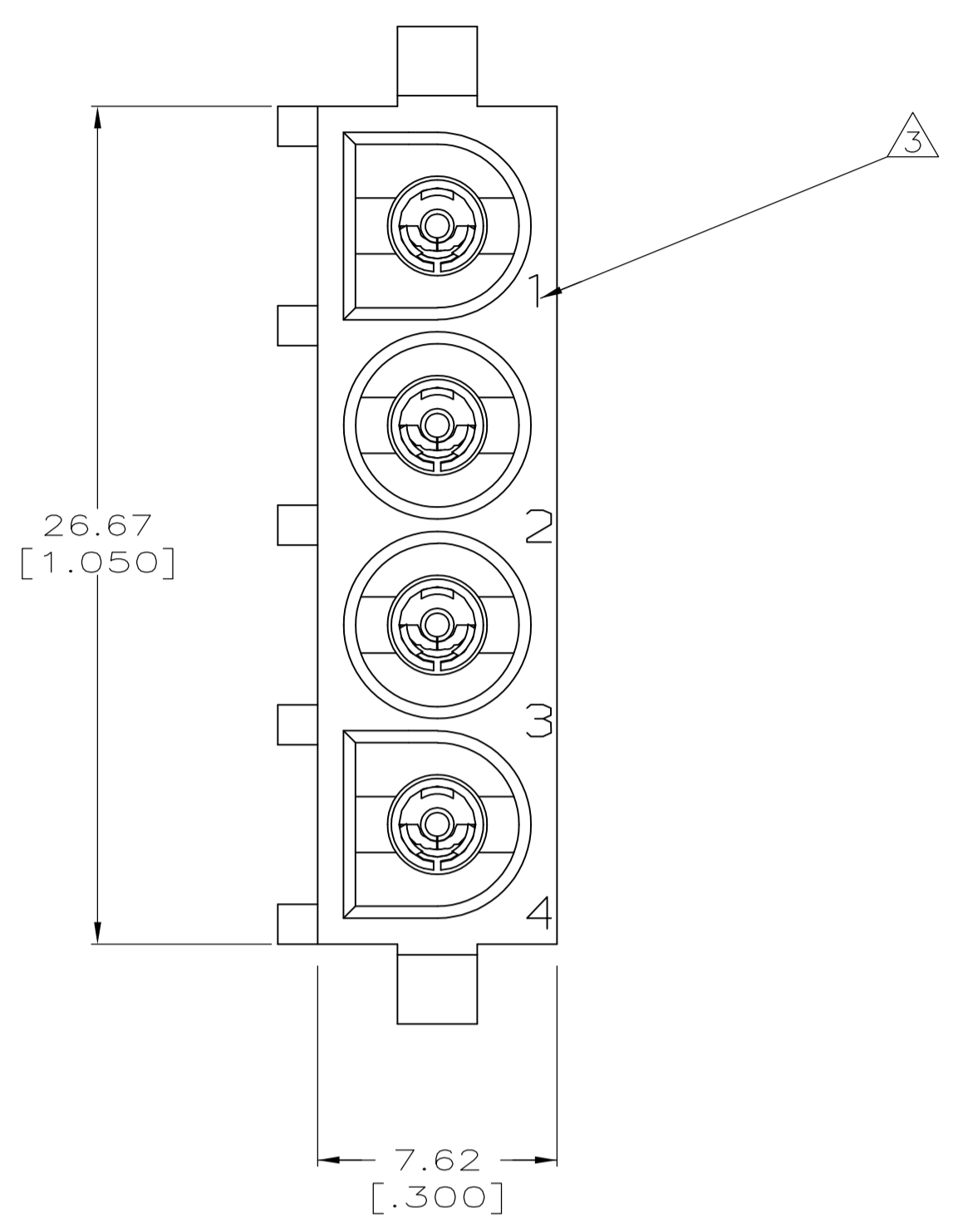
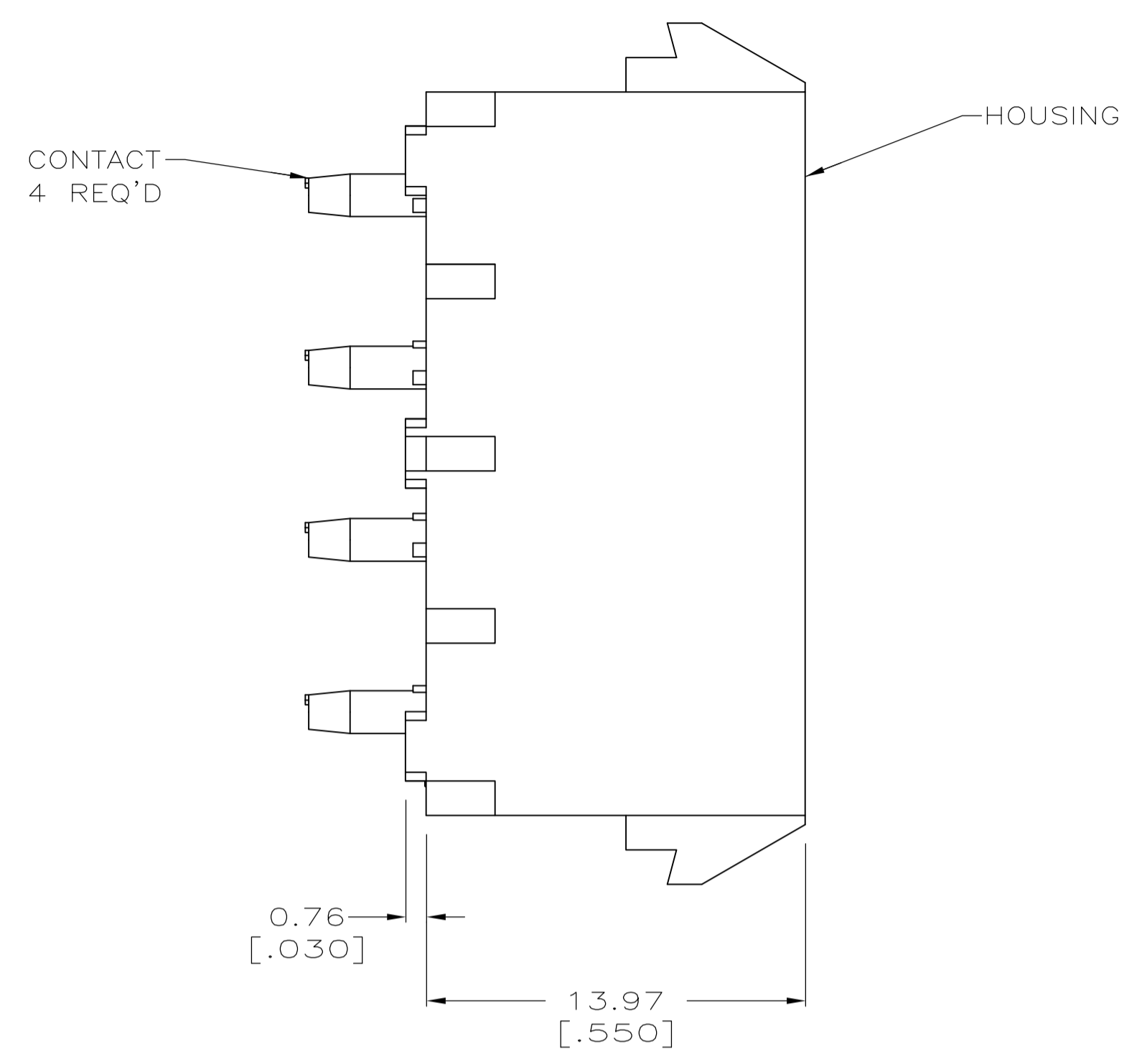
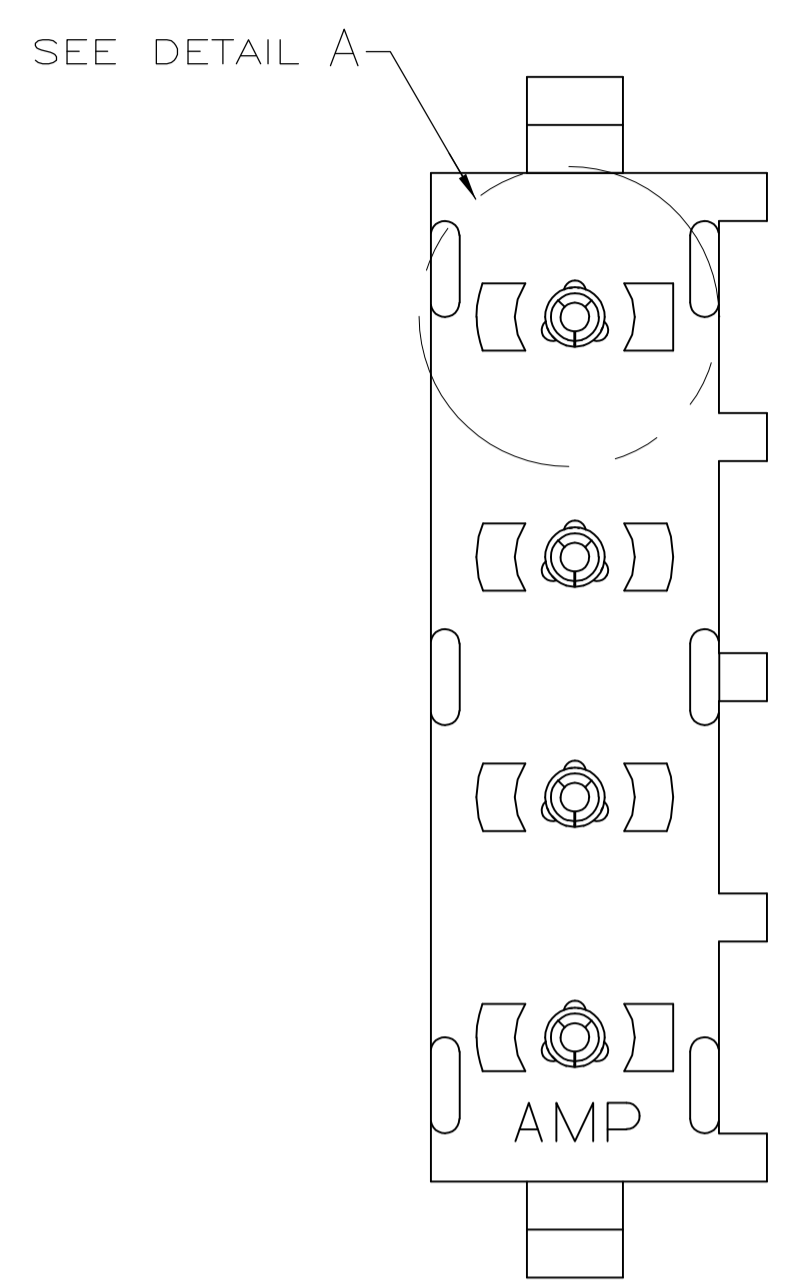
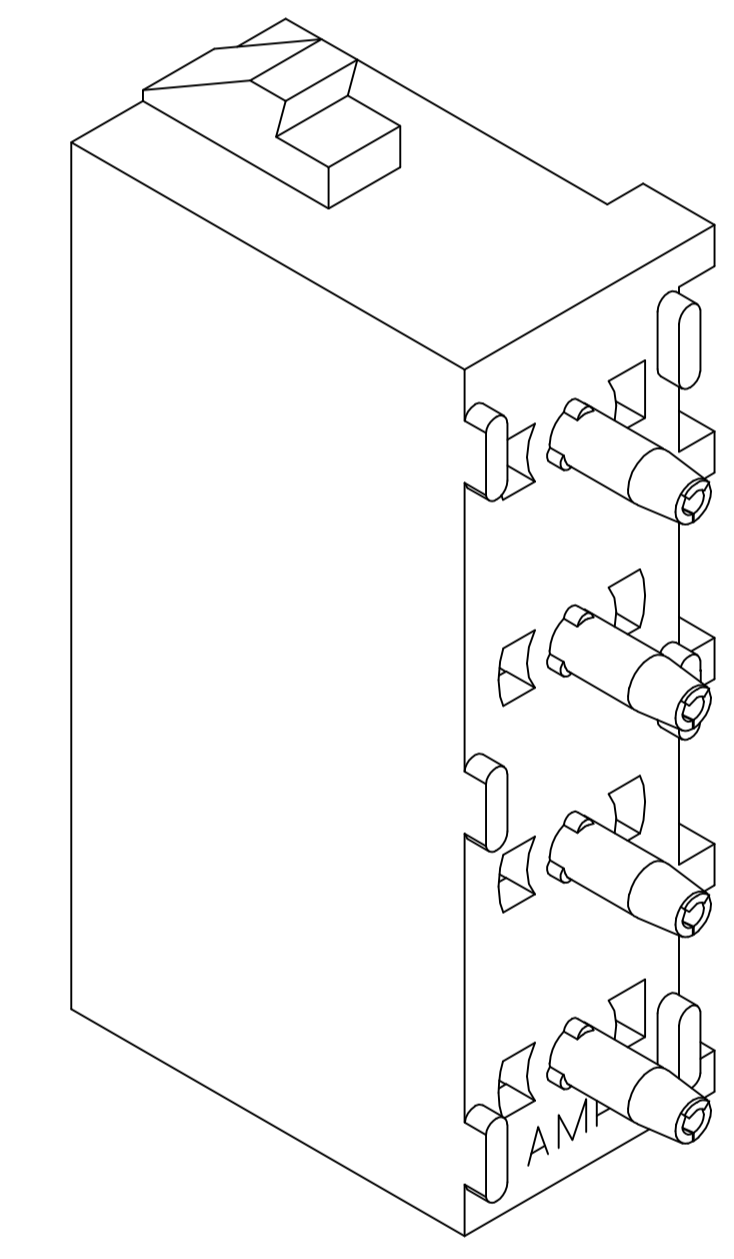


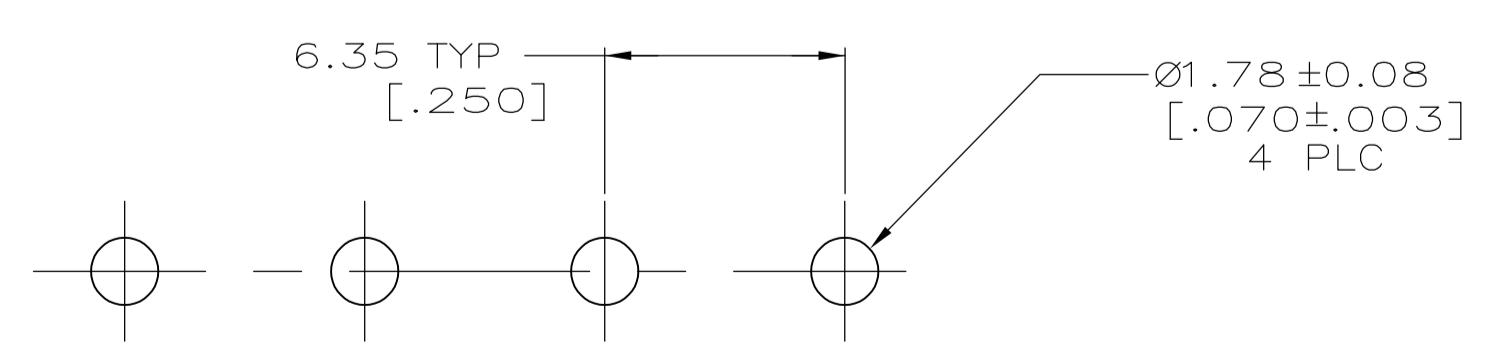
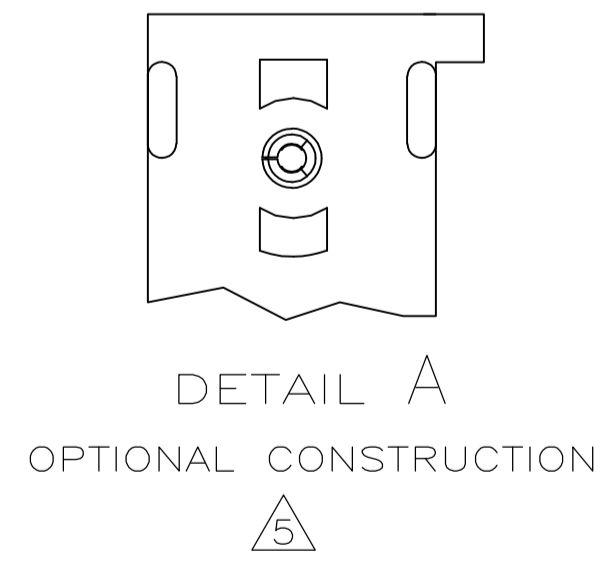
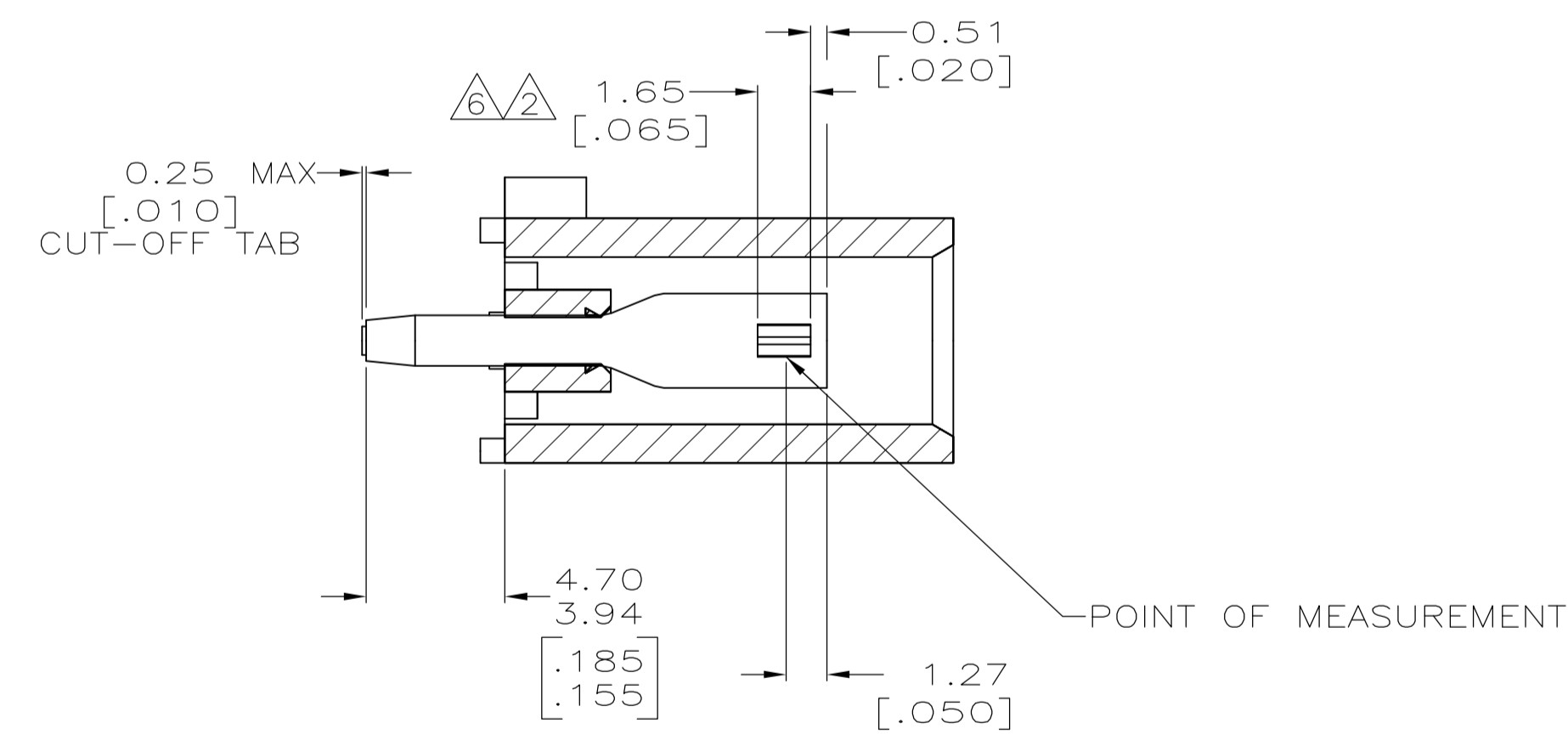
| LOC | | DIST | | REVISIONS | | | |
|-----|---------------------------|---------|-----|-----------|--|--|--|
| P | LTR | DATE | DMN | APVD | | | |
| P2 | REVISED PER ECR-12-011660 | 25JAN13 | KH | TM | | | |



- 1 PARTS COMPLY TO AMP SOLDERABILITY SPECIFICATION 109-11-3.
- 2 CONTACT IS PLATED OVERALL WITH 0.00127 [.000050] NICKEL, THEN 0.00076 [.000030] GOLD OVER CONTACT LENGTH INDICATED AND MATTE TIN LEAD ON SOLDER TAIL END.
- 3 CIRCUIT IDENTIFICATION CHARACTERS ARE ADJACENT TO THE INDICATED CAVITIES, BUT LOCATION AND ORIENTATION MAY DIFFER FROM PRINT.
- 4 DIMENSIONS IN BRACKETS ARE IN INCHES.
- 5 DRAIN HOLES LOCATED AS SHOWN. OPTIONAL CONSTRUCTION - ALL DRAIN HOLES LOCATED 90° AS SHOWN IN DETAIL A.
- 6 CONTACT IS PLATED OVERALL WITH 0.00127 [.000050] NICKEL, THEN 0.00076 [.000030] GOLD OVER CONTACT LENGTH INDICATED AND MATTE TIN ON SOLDER TAIL END.
- 7 SUPERSEDED BY 350826-4



3-DIMENSIONAL MODEL NTS



RECOMMENDED MOUNTING HOLE PATTERN FOR 1.57 [.062] THICK P.C. BOARD

| | | |
|-----------------------------|---------------------|-------------|
| PHOSPHOR BRONZE, GOLD | NYLON,UL94V-0,WHITE | 350826-4 |
| PHOSPHOR BRONZE, GOLD | NYLON,UL94V-0,WHITE | 350826-2 |
| PHOSPHOR BRONZE, PRE-TIN | NYLON,UL94V-0,WHITE | 350826-1 |
| CONTACT MATERIAL AND FINISH | HOUSING MATERIAL | PART NUMBER |

| | | | | |
|--|------------------|---------------------------|---------------------|-------------------------------|
| THIS DRAWING IS A CONTROLLED DOCUMENT. | | DIN R LEWIS 10-02-98 | STE TE Connectivity | |
| DIMENSIONS: mm [INCHES] | | CHK R SWING 10-02-98 | NAME | |
| TOLERANCES UNLESS OTHERWISE SPECIFIED: | | APVD M TRULL 10-02-98 | PRODUCT SPEC | |
| 0 PLC ± - | 1 PLC ± - | APPLICATION SPEC | | |
| 2 PLC ± 0.13 [.005] | 3 PLC ± - | SIZE CASE CODE DRAWING NO | | |
| 4 PLC ± - | ANGLES ± 0°30' | RESTRICTED TO | | |
| MATERIAL SEE TABLE | FINISH SEE TABLE | WEIGHT | A1 00779 C=350826 | SCALE 5:1 SHEET 1 OF 1 REV P2 |
| CUSTOMER DRAWING | | | | |