

Data sheet Product MK 221



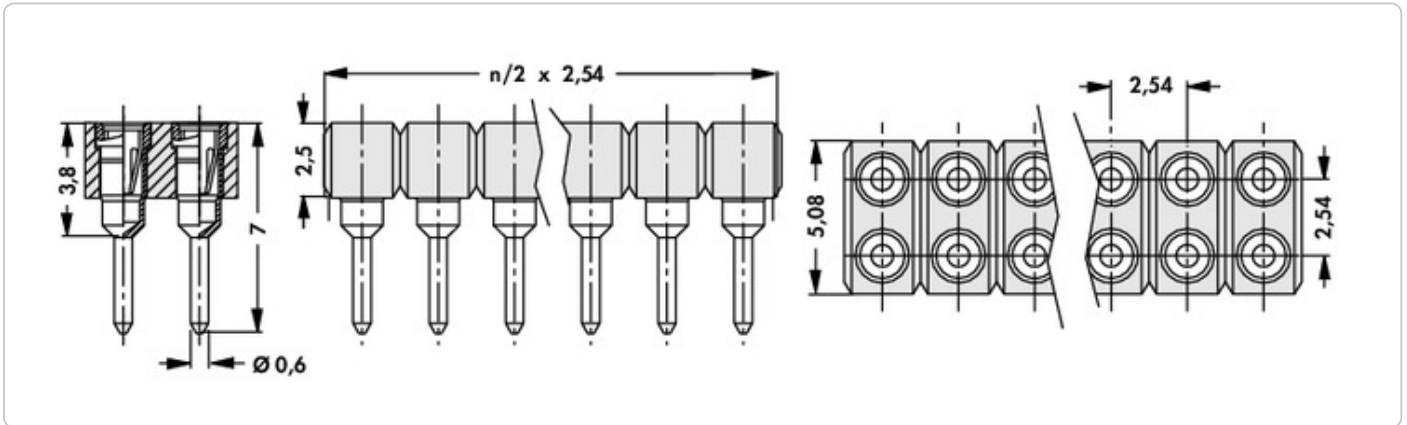
PCB connectors > Female headers

□ 0.635 mm and up to 0.85 mm Ø; No capillary action when soldering due to protected contact insert. Separable! Therefore any required number of contacts is available.

Features

grid	2.54 mm
no. of contacts	2 - 100
contact material	CuZn-alloy
contact sleeve	tin-plated
surface contact / contact sleeve	Ni+4...6µm Sn
contact spring	gold-plated
inner contact spring material	CuBe-alloy
inner contact spring surface	Ni+0,75µm Au
type internal spring	6-fingers
plugability for circuit points	<ul style="list-style-type: none"> • □0,55...0,65mm • Ø0,65...0,85mm
insert depth	2.5...3.6mm
plug-in cross-section	□0,635mm
insertion / drawing force	1.3N/0.3N
shock resistance	50 g
volume resistance	≤10 mΩ
vibration resistance max.	15 g
capacity between two adjacent contacts	≤0,3 pF
nominal current	3 A
nominal voltage	150 V DC
test voltage	1500 V
insulating body material	PA 4.6. GF
temperature range	<ul style="list-style-type: none"> • -40°C... +163°C • (260°C/10 s)
class of flammability	UL 94 V-0
version	low profile
specific insulation resistance	>10.0 ^{7.0} Ω·m
connection type	soldering
reflow solderable	yes

Technical Drawing



Fischer Elektronik GmbH & Co. KG
DEUTSCHLAND • GERMANY • ALLEMAGNE

Nottebohmstraße 28
58511 Lüdenscheid

Telefon +49 2351 435-0
Telefax +49 2351 45754

info@fischerelektronik.de
www.fischerelektronik.de