

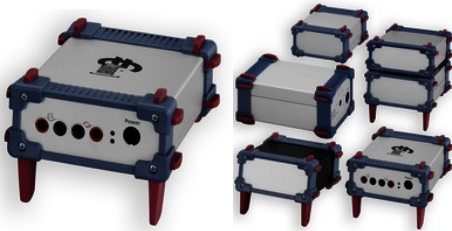
## Data sheet Product ET 02 01

Cases > Design cases

### Desing case "Eurotainer"

**contents of delivery:** 1 = 1 x case upper shell; 2 = 1 x case lower shell; 3 = 2 x cover panels; 4 = side profile

5 = 4 x plastic frame (RAL 5014 pigeon blue); 6 = 16 x small standing feet (RAL 4002 red violet); 8 = mounting material



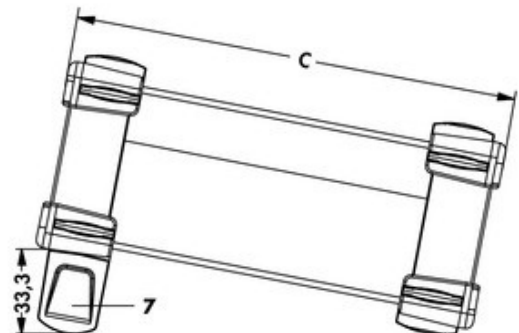
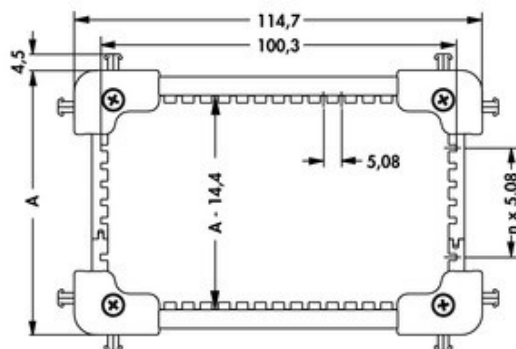
- multi-purpose aluminium case for 100 mm Eurocards with integrated guide slots with a modular spacing of 5,08 mm (1 HP)
- horizontal and vertical connection possibility (stackable) due to a robust plastic frame
- EMC compatible design achieved by electrical conductive surface treatment and additional conductive seals
- insertion possibility for front foils or key pads
- protection class IP 54 achieved by use of seals
- cover panels can be perforated or imprinted to your specifications, further surface treatments upon request
- other surfaces upon request

C= available internal length +15 mm

### Features

length	160 mm
C	
surface	natural colour anodised

### Technical Drawing



height A [mm]	48.6
number of	3
guide slots n	