

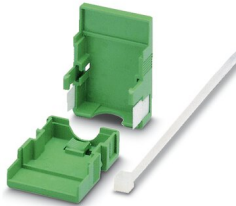
# KGG-MC 1,5/ 3 - Cable housing

1834356

<https://www.phoenixcontact.com/sk/products/1834356>

Please be informed that the data shown in this PDF document is generated from our online catalog. Please find the complete data in the user documentation. Our general terms of use for downloads are valid.

Cable housing, pitch: 3.81 mm, number of positions: 3, dimension a: 13.82 mm, color: green



## Commercial data

Item number	1834356
Packing unit	10 pc
Minimum order quantity	10 pc
Sales key	AAH
Product key	AAHZDB
Catalog page	Page 242 (C-1-2013)
GTIN	4017918051877
Weight per piece (including packing)	3.95 g
Weight per piece (excluding packing)	3.125 g
Customs tariff number	39269097
Country of origin	PL

# KGG-MC 1,5/ 3 - Cable housing

1834356

<https://www.phoenixcontact.com/sk/products/1834356>

## Technical data

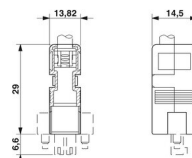
### Product properties

Product type	Cable housing
Product family	KGG-MC 1,5
Number of positions	3
Pitch	3.81 mm

### Material specifications

Color	green
Flammability rating according to UL 94	HB
Insulating material group	I
Insulating material	ABS

### Dimensions

Dimensional drawing	
Width	14.5 mm
Height	35.6 mm
Pitch	3.81 mm

# KGG-MC 1,5/ 3 - Cable housing

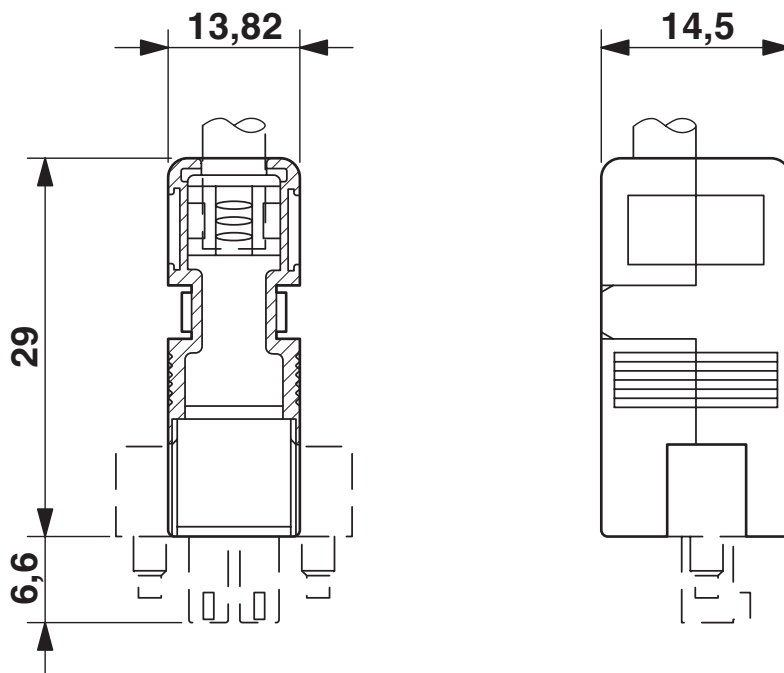
1834356

<https://www.phoenixcontact.com/sk/products/1834356>



## Drawings

Dimensional drawing



# KGG-MC 1,5/ 3 - Cable housing

1834356

<https://www.phoenixcontact.com/sk/products/1834356>



## Classifications

### ECLASS

ECLASS-11.0	27460402
ECLASS-12.0	27460402
ECLASS-13.0	27460402

### ETIM

ETIM 9.0	EC002943
----------	----------

### UNSPSC

UNSPSC 21.0	39121400
-------------	----------

# KGG-MC 1,5/ 3 - Cable housing

1834356

<https://www.phoenixcontact.com/sk/products/1834356>



## Environmental product compliance

China RoHS	Environmentally friendly use period: unlimited = EFUP-e
	No hazardous substances above threshold values

# KGG-MC 1,5/ 3 - Cable housing

1834356

<https://www.phoenixcontact.com/sk/products/1834356>



## Accessories

### SBS10:UNBEDRUCKT - Marker card

1007248

<https://www.phoenixcontact.com/sk/products/1007248>



Marker card, Card, white, unlabeled, can be labeled with: Marker pen, perforated, mounting type: snapped, snap into flat marker groove, for terminal block width: 10 mm, lettering field size: 6 x 10.1 mm, Number of individual labels: 250

---

### CUC-DST-ABK-CP6,5 - Bend protection sleeve

1419790

<https://www.phoenixcontact.com/sk/products/1419790>



Bend protection sleeve, degree of protection: IP20, color: black

# KGG-MC 1,5/ 3 - Cable housing

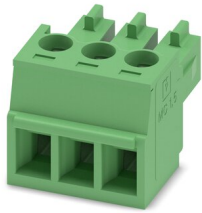
1834356

<https://www.phoenixcontact.com/sk/products/1834356>

## MC 1,5/ 3-ST-3,81 - PCB connector

1803581

<https://www.phoenixcontact.com/sk/products/1803581>



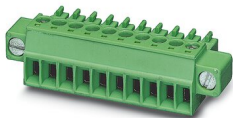
PCB connector, nominal cross section: 1.5 mm<sup>2</sup>, color: green, nominal current: 8 A, rated voltage (III/2): 160 V, contact surface: Tin, contact connection type: Socket, number of potentials: 3, number of rows: 1, number of positions: 3, number of connections: 3, product range: MC 1,5/..-ST, pitch: 3.81 mm, connection method: Screw connection with tension sleeve, screw head form: L Slotted, conductor/PCB connection direction: 0 °, plug-in system: COMBICON MC 1,5, locking: without, mounting: without, type of packaging: packed in cardboard

---

## MC 1,5/ 3-STF-3,81 - PCB connector

1827716

<https://www.phoenixcontact.com/sk/products/1827716>



PCB connector, nominal cross section: 1.5 mm<sup>2</sup>, color: green, nominal current: 8 A, rated voltage (III/2): 160 V, contact surface: Tin, contact connection type: Socket, number of potentials: 3, number of rows: 1, number of positions: 3, number of connections: 3, product range: MC 1,5/..-STF, pitch: 3.81 mm, connection method: Screw connection with tension sleeve, screw head form: L Slotted, conductor/PCB connection direction: 0 °, plug-in system: COMBICON MC 1,5, locking: Screw locking mechanism, mounting: Screw flange, type of packaging: packed in cardboard

# KGG-MC 1,5/ 3 - Cable housing

1834356

<https://www.phoenixcontact.com/sk/products/1834356>



## IMC 1,5/ 3-ST-3,81 - Printed-circuit board connector

1857896

<https://www.phoenixcontact.com/sk/products/1857896>



PCB connector, nominal cross section: 1.5 mm<sup>2</sup>, color: green, nominal current: 8 A, rated voltage (III/2): 160 V, contact surface: Tin, contact connection type: Pin, number of potentials: 3, number of rows: 1, number of positions: 3, number of connections: 3, product range: IMC 1,5/..-ST, pitch: 3.81 mm, connection method: Screw connection with tension sleeve, screw head form: L Slotted, conductor/PCB connection direction: 0 °, plug-in system: COMBICON MC 1,5, locking: without, mounting: without, type of packaging: packed in cardboard

---

Phoenix Contact 2023 © - all rights reserved

<https://www.phoenixcontact.com>

PHOENIX CONTACT s.r.o.

Námestie Mateja Korvína 1

811 07 Bratislava

+421 2 3210 1470

[obchod.sk@phoenixcontact.com](mailto:obchod.sk@phoenixcontact.com)