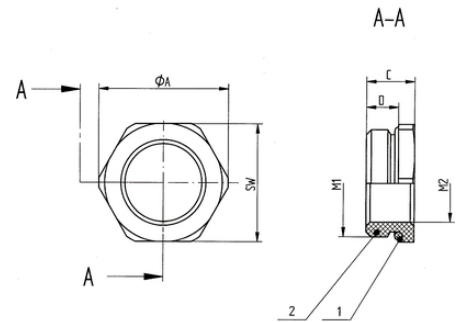


SKINDICHT® MR-M hex.

SKINDICHT® MR-M, reducer hexagonal, enables the use of cable gland with smaller connection threads than the existing threaded holes



Space requirement

Benefits

Enables the use of cable glands with smaller connection threads than the existing threaded holes

With guide notch for O-ring

Assembling with a wrench

Application range

Machines

Devices

Housings

Product Make-up

Metric connection thread acc. to DIN EN 60423

Basis for technical information DIN IEC 62444

Technical Data

Classification ETIM 5:

ETIM 5.0 Class-ID: EC000441

ETIM 5.0 Class-Description: Cable screw gland

Classification ETIM 6:

ETIM 6.0 Class-ID: EC000441

ETIM 6.0 Class-Description: Cable screw gland

On request:

FKM O-ring

-20 °C to +200 °C

Material:

Body: nickel-plated brass

O-ring: NBR

Temperature range:

-20°C to +100°C

Note

Photographs and graphics are not to scale and do not represent detailed images of the respective products.

Prices are net prices without VAT and surcharges. Sale to business customers only.

Last Update (24.07.2020)

©2020 Lapp Group - Technical changes reserved

Product Management www.lappkabel.de

You can find the current technical data in the corresponding data sheet.

PN 0456 / 02_03.16

SKINDICHT® MR-M hex.

Article number	Thread, male M1	Thread, female M2	SW wrench size mm	Ø A (mm)	Overall length C mm	Thread length D mm	Pieces / PU
SKINDICHT® MR-M hex.							
52101965	16 x 1.5	12 x 1.5	18	20.2	8.5	5.5	50
52101966	20 x 1.5	16 x 1.5	22	24.4	9.0	6	50
52101967	25 x 1.5	16 x 1.5	28	31.2	10.0	6.5	50
52101968	25 x 1.5	20 x 1.5	28	31.2	10.0	6.5	50
52101969	32 x 1.5	16 x 1.5	36	40.0	11.5	8	25
52101972	32 x 1.5	20 x 1.5	36	40.0	11.5	8	25
52101973	32 x 1.5	25 x 1.5	36	40.0	11.5	8	25
52101974	40 x 1.5	25 x 1.5	43	47.5	12.5	8.5	10
52101975	40 x 1.5	32 x 1.5	43	47.5	12.5	8.5	10
52101976	50 x 1.5	40 x 1.5	54	58.0	14.0	10	5
52101977	63 x 1.5	50 x 1.5	67	74.0	14.0	9.5	5
52101979	75 x 1.5	63 x 1.5	80	90.0	17.0	11	1
SKINDICHT® MR-M, blank brass, with hexagon							
52006563	80 x 2	63 x 1.5	85	93.5	23.0	15	1

Last Update (24.07.2020)

©2020 Lapp Group - Technical changes reserved

Product Management www.lappkabel.de

 You can find the current technical data in the corresponding data sheet.
 PN 0456 / 02_03_16