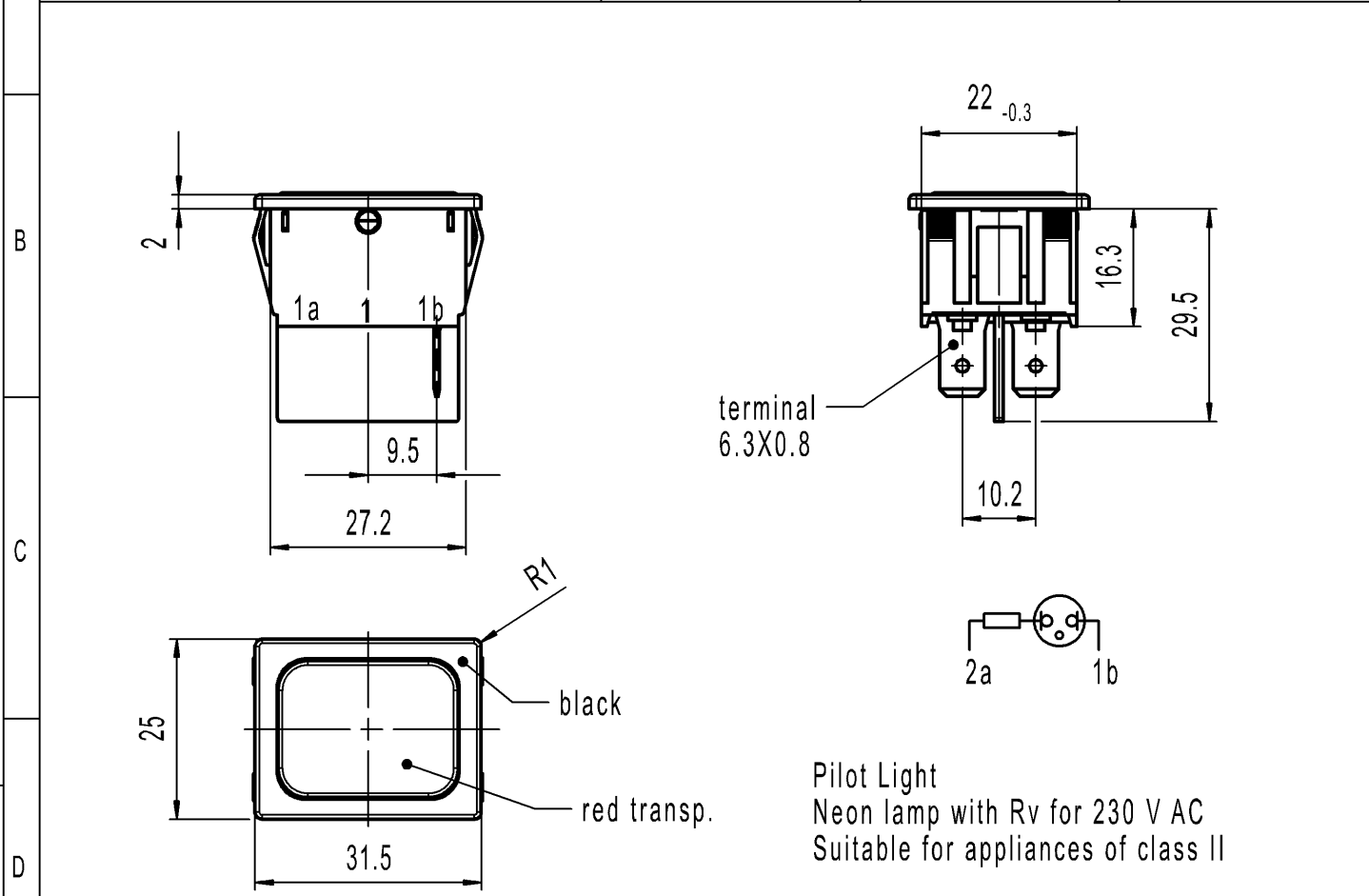


CONFIDENTIAL

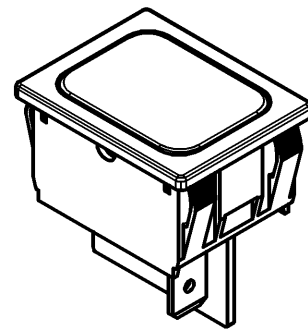
VERTRAULICH

THIS DRAWING IS THE EXCLUSIVE PROPERTY OF MARQUARDT. WITHOUT THEIR CONSENT IT MAY NOT BE REPRODUCED OR GIVEN TO THIRD PARTIES.

A	recommended cut-out for snap-in fixing (edge opposite to snap-in direction)	1	2	3	4
			wall thickness	length of cut-out	width of cut-out
		0.75 to 1.25	30 -0.1	22+0.2	
		1.25 to 2	30.2 -0.1	22+0.2	
		2 to 3	30.6 -0.1	22+0.2	



Pilot Light
Neon lamp with Rv for 230 V AC
Suitable for appliances of class II



Marking

Ⓜ
1837.
230V ~ T 100°C



Code of manufacture: place/year/week

-	-	-	1837.8102-XX
Figure	Type	Customer Part No.	Art.No.-PI
Shape and location	Angle $\pm 2^\circ$	Sheet 01	Ident. K
	Edge tolerance		
Ⓜ		Format DIN A4 Projection Scale 1:1	Index e
e	141194	MOHITEN	
d	69573	HHE	
c	24370	GRH	
b	22680	GRH	
Index	MEC-No.	Date (YYYY-MM-DD)	Edited by
System NX V1899		Replacement of	
Zg.gl.Nr.v.02.03.1994		Zg.gl.Nr.v.02.03.1994	

Alle Rechte bei Marquardt, auch fuer den Fall von Schutzrechtsanmeldungen. Jede Veruegungsbefugnis, wie Kopier- und Weitergaberecht, bei uns.

©