

UM -PROFIL - Profile

2952020

<https://www.phoenixcontact.com/sk/products/2952020>

Please be informed that the data shown in this PDF document is generated from our online catalog. Please find the complete data in the user documentation. Our general terms of use for downloads are valid.



Press-drawn section housings, Basic profile, open, length: 2000 mm, depth: 127.5 mm, Note:
profile length = PCB length - 3 mm (UM 25 and UM 45)
Profile length = PCB length - 3.6 mm (UM_72, UM 100, UM_108)
Profile length = PCB length - 9.5 mm (UM_122)

Your advantages

- Flexible size and shape
- Fast mounting
- Inexpensive as a result of reducing the number of separate housing parts

Commercial data

Item number	2952020
Packing unit	1 pc
Minimum order quantity	1 pc
Note	Made to order (non-returnable)
Sales key	ACH
Product key	ACHDBA
Catalog page	Page 754 (C-1-2013)
Customs tariff number	39162000
Country of origin	DE

UM -PROFIL - Profile

2952020

<https://www.phoenixcontact.com/sk/products/2952020>



Technical data

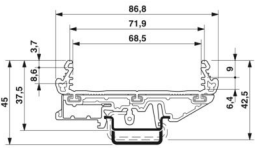
Product properties

Product type	Complete housing
Housing type	Press-drawn section housings
Housing series	UM
Product family	UM-Profil
Type	Basic profile
Ventilation openings present	no

Data management status

Article revision	01
------------------	----

Dimensions

Dimensional drawing	
Depth	127.5 mm
	25 mm
	45 mm
Length	2000 mm

Material specifications

Color (Housing)	green (RAL 6021)
Flammability rating according to UL 94	V0
Housing material	PVC
Surface characteristics	untreated

Environmental and real-life conditions

Ambient conditions

Ambient temperature (operation)	-15 °C ... 50 °C
---------------------------------	------------------

UM -PROFIL - Profile

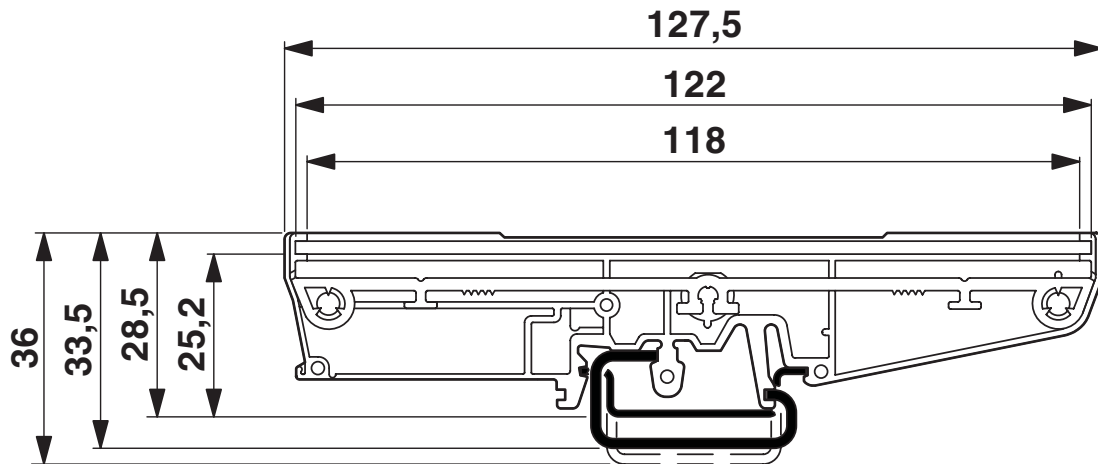
2952020

<https://www.phoenixcontact.com/sk/products/2952020>

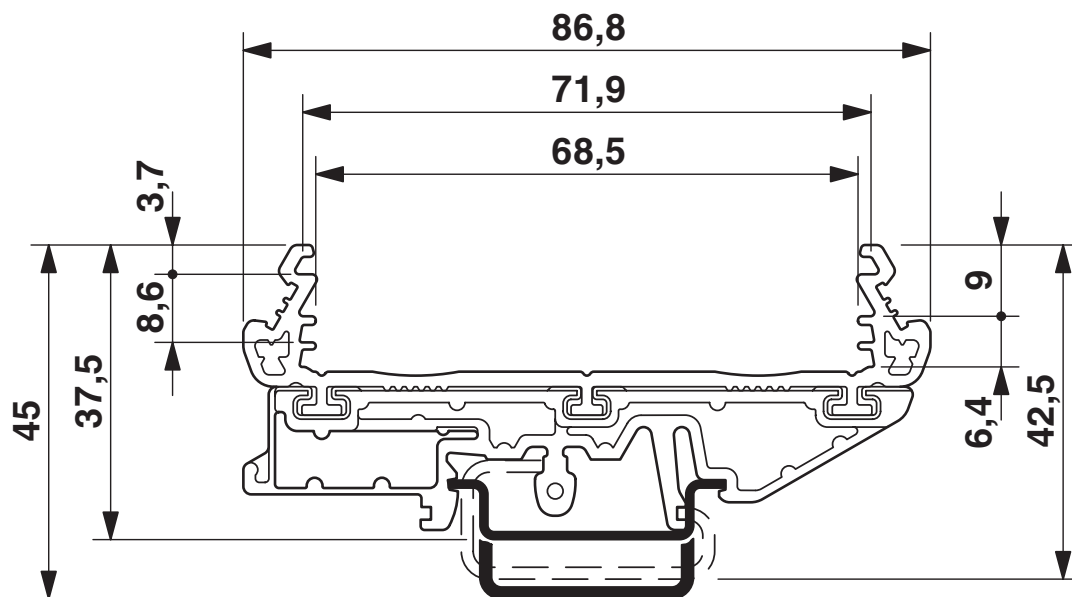


Drawings

Dimensional drawing



Dimensional drawing



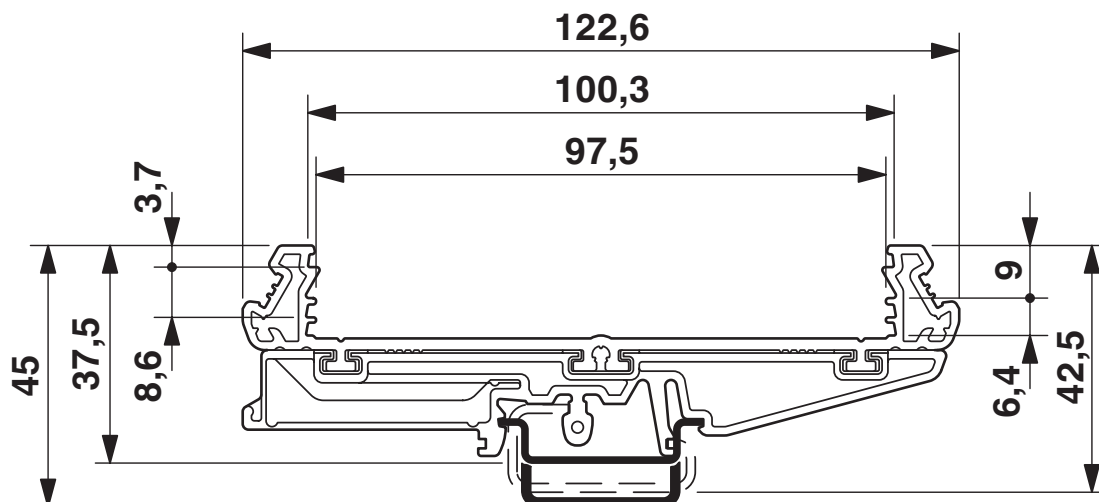
UM -PROFIL - Profile

2952020

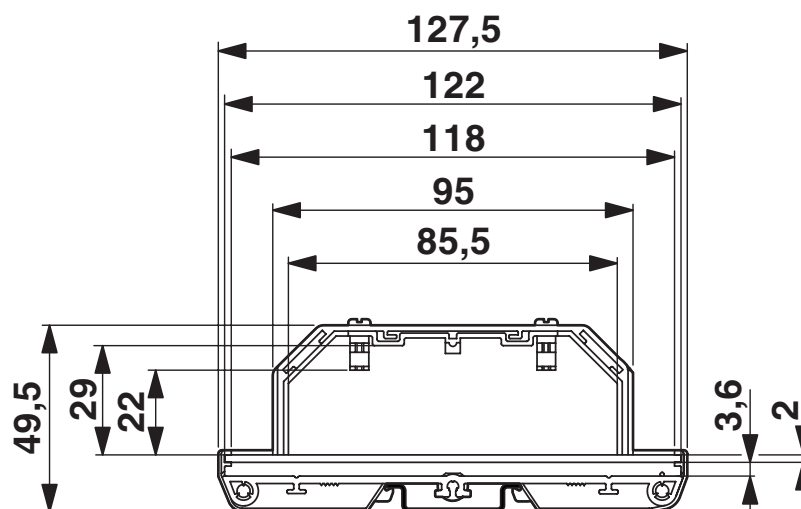
<https://www.phoenixcontact.com/sk/products/2952020>



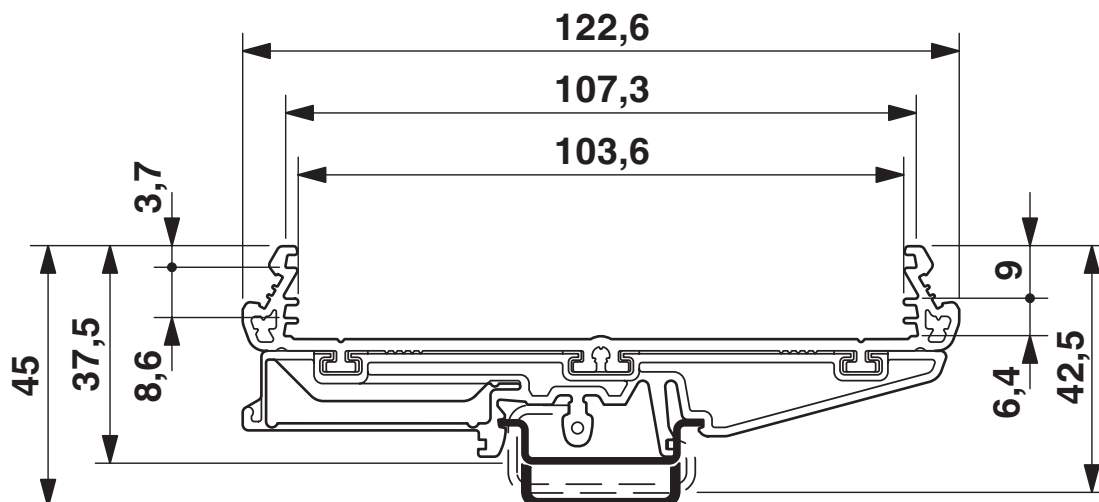
Dimensional drawing



Dimensional drawing



Dimensional drawing



2952020

<https://www.phoenixcontact.com/sk/products/2952020>

Classifications

ECLASS

ECLASS-11.0	27182791
ECLASS-12.0	27182791
ECLASS-13.0	27190601

ETIM

ETIM 9.0	EC002779
----------	----------

UNSPSC

UNSPSC 21.0	31261500
-------------	----------

UM -PROFIL - Profile



2952020

<https://www.phoenixcontact.com/sk/products/2952020>

Environmental product compliance

EU RoHS

Fulfills EU RoHS substance requirements	Yes, No exemptions
---	--------------------

China RoHS

Environment friendly use period (EFUP)	EFUP-E
	No hazardous substances above the limits

EU REACH SVHC

REACH candidate substance (CAS No.)	No substance above 0.1 wt%
-------------------------------------	----------------------------

Phoenix Contact 2024 © - all rights reserved
<https://www.phoenixcontact.com>

PHOENIX CONTACT s.r.o.
Námestie Mateja Korvína 1
811 07 Bratislava
+421 2 3210 1470
obchod.sk@phoenixcontact.com