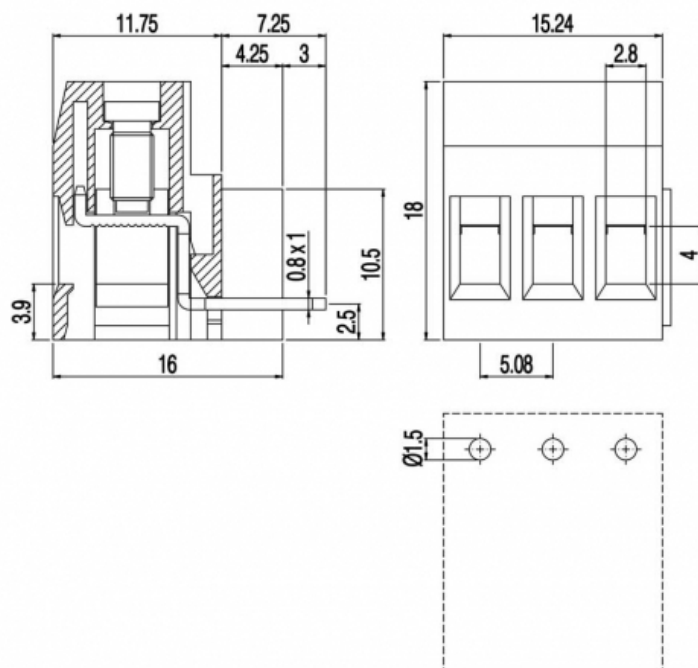
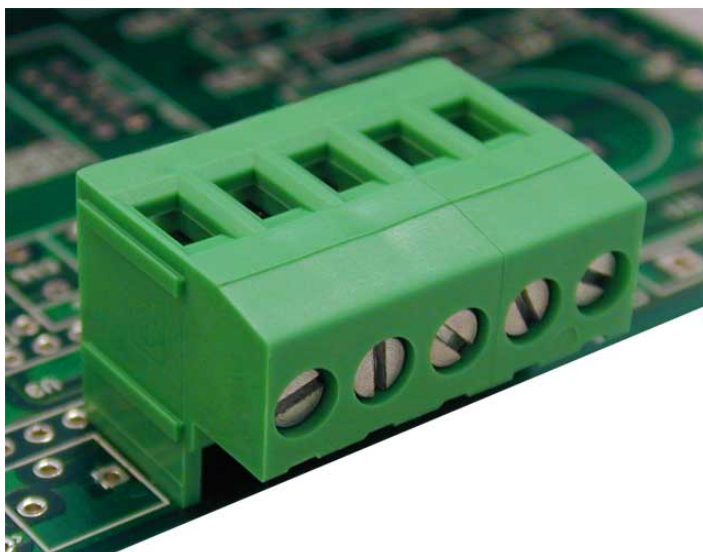


# MVS25x-5,08-HS euroclamp



## Single-deck terminal block - Modular version - Raised - Pitch 5,08mm - 2÷3 poles

### GENERAL INFORMATION

pitch:	5,08 mm
housing height:	16,00 mm
housing depth:	18 mm
dimensional class:	medium
wire section:	2.5 mm <sup>2</sup> / 14 AWG
clamp opening size:	2.8 × 4 mm
wire stripping:	max 8.5 mm
operating temperature:	-40°C ÷ +130°C

### ELECTRICAL CHARACTERISTICS

current:	24A
voltage:	450V
test voltage:	2,5 kVrms/60s

### MECHANICAL CHARACTERISTICS

screw:	M3
max. torque:	0.8 Nm / 7.2 in.lbs

### APPROVALS DATA



EN 60998-1

current:	24A
voltage:	450V
wire section:	2.5mm <sup>2</sup>
torque:	0.8Nm

FILE: CA02.00599



-

-

-

-

-

-



UL 1059

18A factory / 15A field  
300V

14÷30AWG

4.5Lb-in

E178356

### MATERIALS

housing: PA - UL 94 V0

### AVAILABLE COLOURS

screw:  
clamp/spring:  
terminal:

Galvanized steel  
Nickel-coated copper alloy  
Tin-plated copper alloy

**GN**<sup>(STD)</sup> **GY** **BK** **BL** **RD** **YL** **OG**

other colours:

upon request

poles	P/N	pcs/pack	W [Kg]*	W [Kg]*
2	MVS252-5,08-HS	N/A	N/A	N/A
3	MVS253-5,08-HS	N/A	N/A	N/A
..	MVS25..-5,08-HS	N/A	N/A	N/A