

# 80mm Compact fan

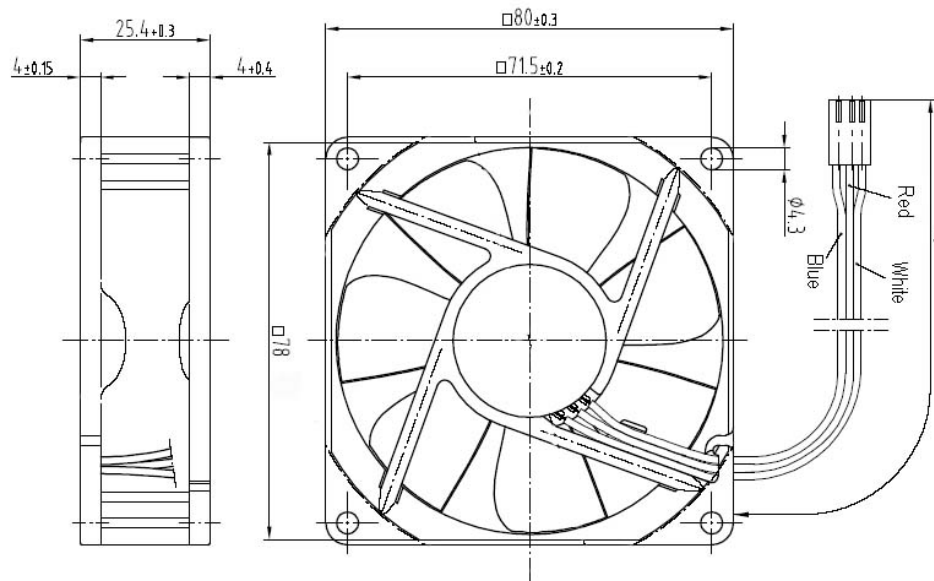


- With electronic protection against reverse polarity. The fan only operates when the polarity is correct. Impedance-protected against locked rotor and overloading.
- Fan of fibreglass reinforced plastic. PBT housing, PA impeller
- Air exhaust over struts. Rotational direction CCW looking at rotor
- Fitted with 3 pin molex connector (22-01-2035)
- Sensor signal for speed monitoring

Nominal data	Air flow @ free air	Air flow @ free air	Nominal voltage	Voltage range	Noise	Sinterc-sleeve bearings	Power input	Nominal speed	Temperature range	Service life L <sub>10</sub> @40°C/ at t max	Dimension
	m <sup>3</sup> /h	CFM									
8412N/2GLE-256	33	19.4	12	8 ... 15	12	Yes	0.5	1500	-20...+85	80,000/27,500	323
8412N/2GMLE-257	45	26.5	12	8 ... 15	21	Yes	0.9	2050	-20...+80	80,000/32,500	323
8412N/2GME-258	58	34.1	12	8 ... 15	26	Yes	1.4	2600	-20...+75	80,000/35,000	323
8412N/2G-185	69	40.6	12	8 ... 15	32	Yes	2.0	3100	-20...+70	70,000/35,000	300
8412N/2GH-214	79	46.5	12	8 ... 15	37	Yes	2.2	3600	-20...+70	70,000/35,000	323
8412N/2GLLE-451	20.2	11.9	12	11 ... 15	11	Yes	0.35	1000	-20...+70	80,000/40,000	323

subject to alterations

## Dimensions



ebm-papst UK Ltd, Chelmsford Business Park, Chelmsford, Essex, CM2 5EZ  
+44 (0)1245 68555

www.ebmpapst.co.uk