

DIN-Rail Mounting Kit

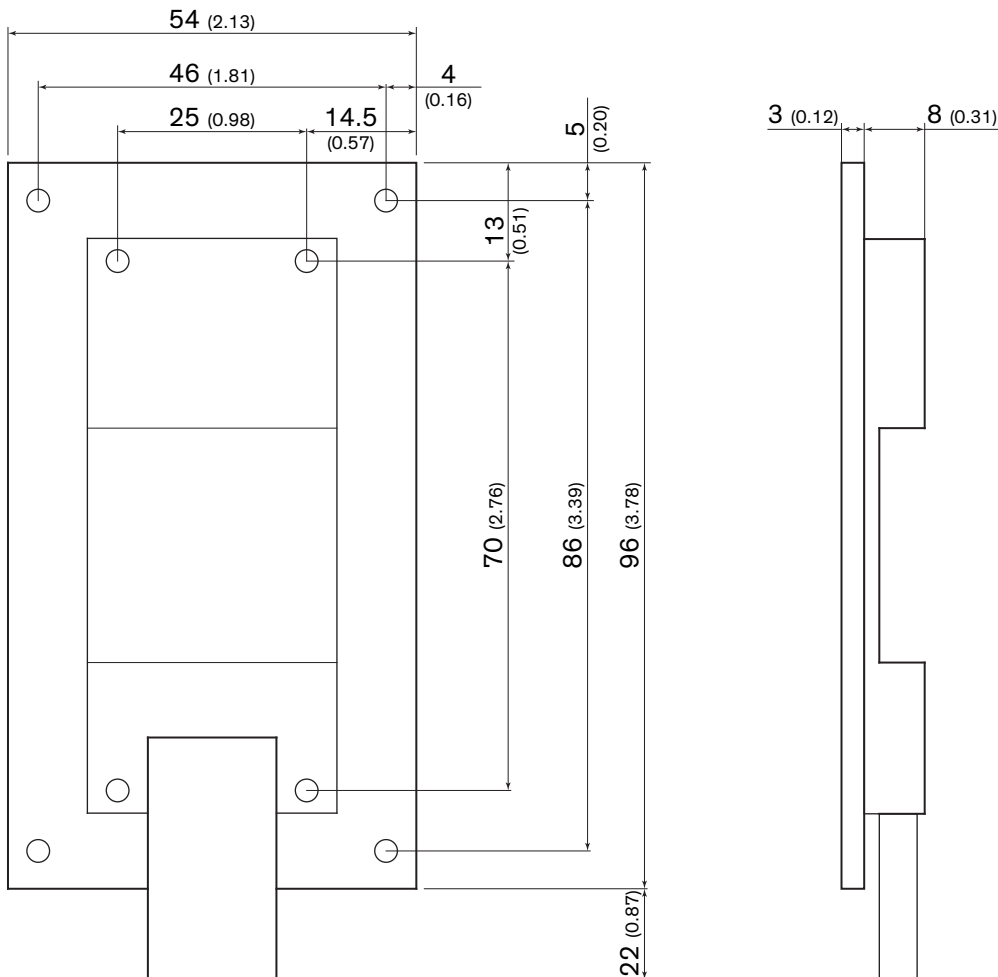
TMP-MK1



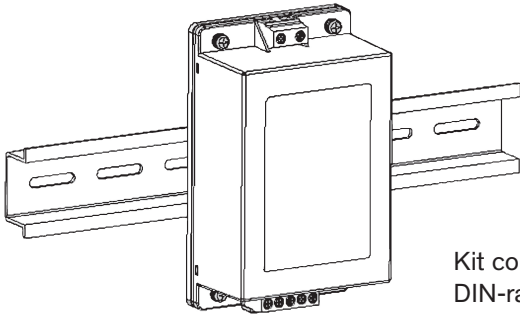
Order Code	TMP-MK1
Compatible with	TMDC 20, TMDC 20H, TMM 24C, TMP 15C
Package content	1x DIN Rail Clip 1x Heat Sink (Mounting Plate) 4x Screw M3x12, round head 4x Screw M3x8, round head
Material	Plastic, Aluminum
Weight	78.5 g
RoHS Exemptions	No Exemptions

Outline Dimensions

Mechanical Drawing



Exploded View



Kit contains interface plate,
DIN-rail clip and screws

