

JBC C115116

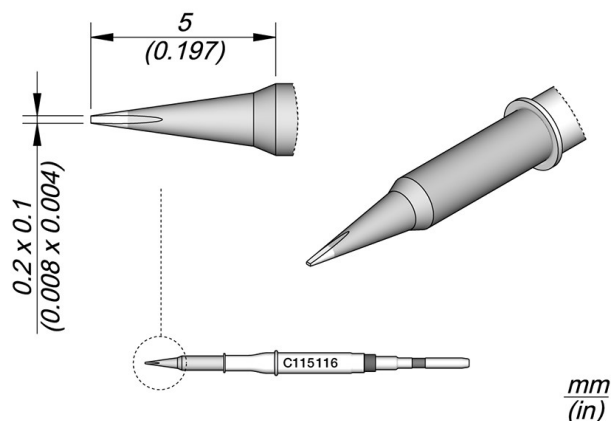
Chisel Cartridge 0.2 x 0.1

C115 cartridges are appropriate for soldering and repairing **very small-sized** components at **high precision**, even under a microscope.

They work with B·NANO, NT115, NP115 and AN115 Nano Soldering Tools and comply with the most demanding regulations.

JBC Long Life Tips offer instant heat up, excellent heat transfer and great durability.

They last 5 times longer than other brands thanks to the JBC Most Efficient Soldering System and the Sleep & Hibernation Modes.



REFERENCE

C115116

SPECIFICATIONS

Net weight 0,001 kg (0.00lb)**WEIGHT AND DIMENSIONS**

1 gr (0.00 lb)

5 gr (0.01 lb)

106 x 45 x 12 mm

Copyright © 2024 JBC Soldering S.L. | [Legal Notice](#) | [Privacy Policy](#) | [Terms and Conditions](#) | [Cookie policy](#) | [Internal Communication](#) | [RSS Feed](#) | [JBC Store](#) | [Contact Us](#)

CONNECTABLES

Compatible tools



NP115-A

Nano Tweezers



AN115-A

Adjustable Nano Tweezers



NT115-A

Nano Handle

This website uses own and third-party technical, analysis and advertising cookies to anonymously facilitate browsing, customise the advertising and analyse website use statistics. We deem that by continuing to browse you accept their use.

[Learn more](#)

Manage Preferences

Reject All

Accept All