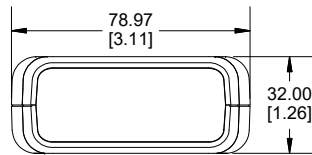
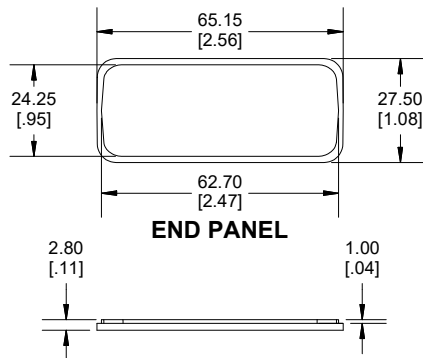


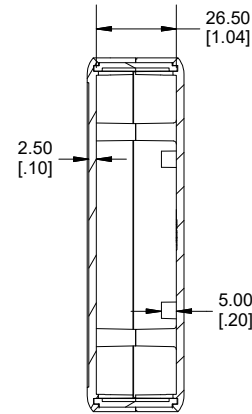
TOP VIEW



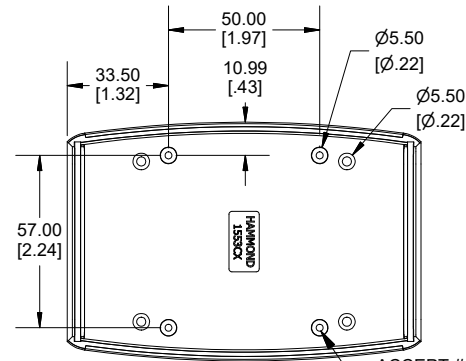
END VIEW



END PANEL

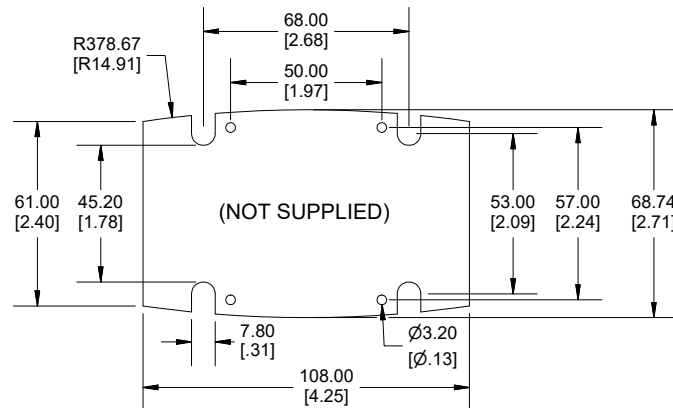


SECTION A-A



INSIDE BOTTOM

ACCEPT #4 SELF-TAPPING SCREW



MAXIMUM P.C.B. SIZE

Dimensions:
mm
[inches]



Enclosures can be Factory Modified (Milling, Drilling, Printing etc.)
Contact Factory (modshop@hammfg.com) for quotes
Solid models of this enclosure available in .stp or .x_t
(Part number and text placement/orientation on our products are subject to change,
we do not recommend using them as a locating reference for modification purposes)

NOTE

Enclosure molded from GP ABS Plastic.

Purchased assembly includes Top, Bottom, 2 plastic end panels and 4 cover screws. (P.C. Board not supplied)

Recommended Cover screw torque -- 2.5 lbf-in (30 cN-m)

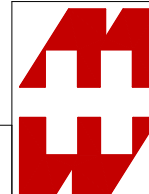
PART NUMBER

1553 Regular Enclosure

Black Enclosure/Grey Over-mold	1553CXBK
Grey Enclosure/Grey Over-mold	1553CXGY

ACCESSORIES

Oval Head Cover Screws Self-Tapping (Pkg 100) [#4 X 1" (25.4mm)]	SC1553C100 (Silver) SC1553C100BK (Black)
Belt or Pocket Clip	1599CLIP (Black) 1599CLIPGY (Grey)
P.C. Board Self Tapping Screw [#4 X 1/4" (6.4mm) Plated]	1593ATS50 (Pkg 50) 1593ATS100 (Pkg 100)



**HAMMOND
MANUFACTURING®**

1553CX

www.hammondmfg.com