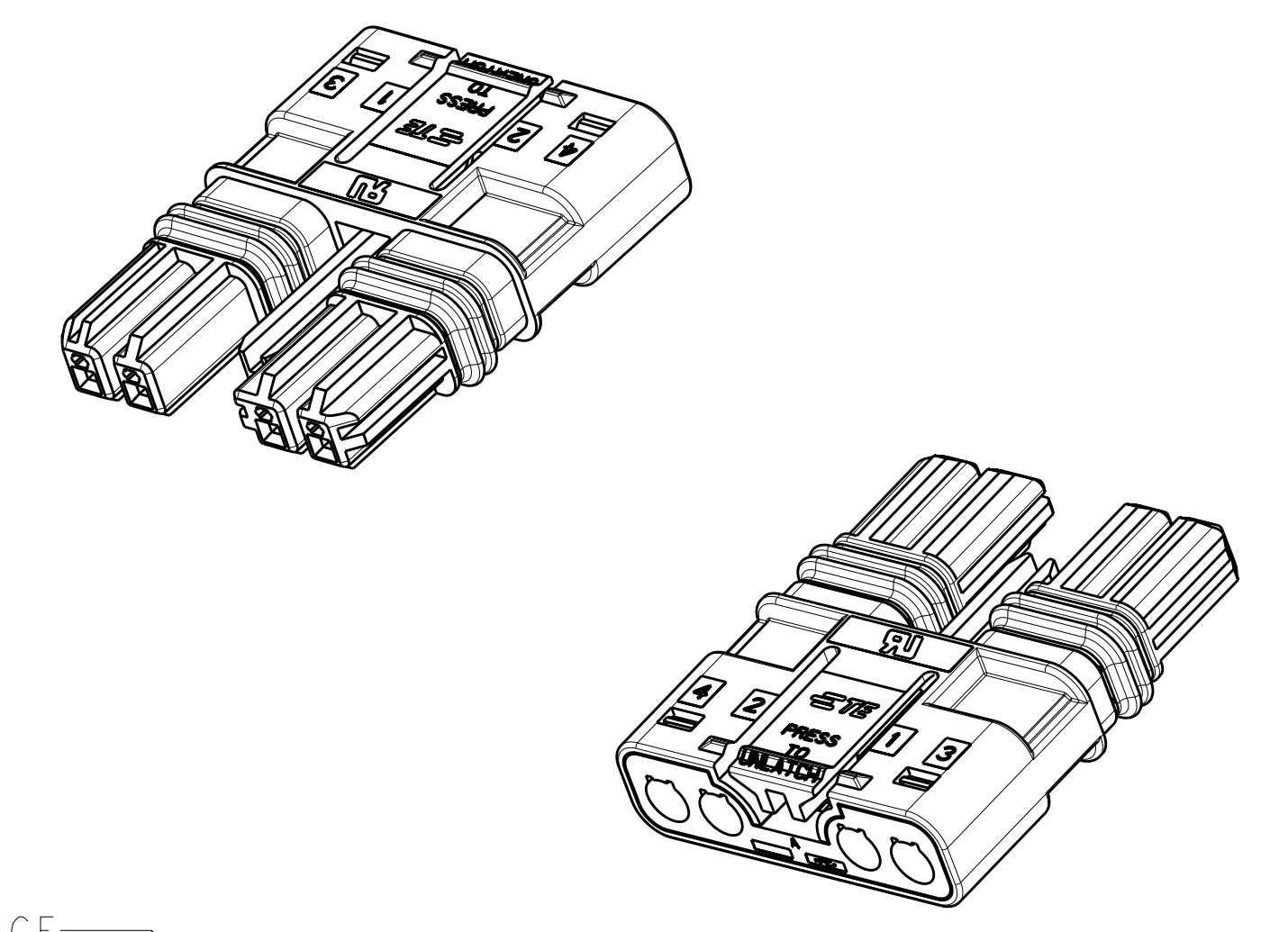
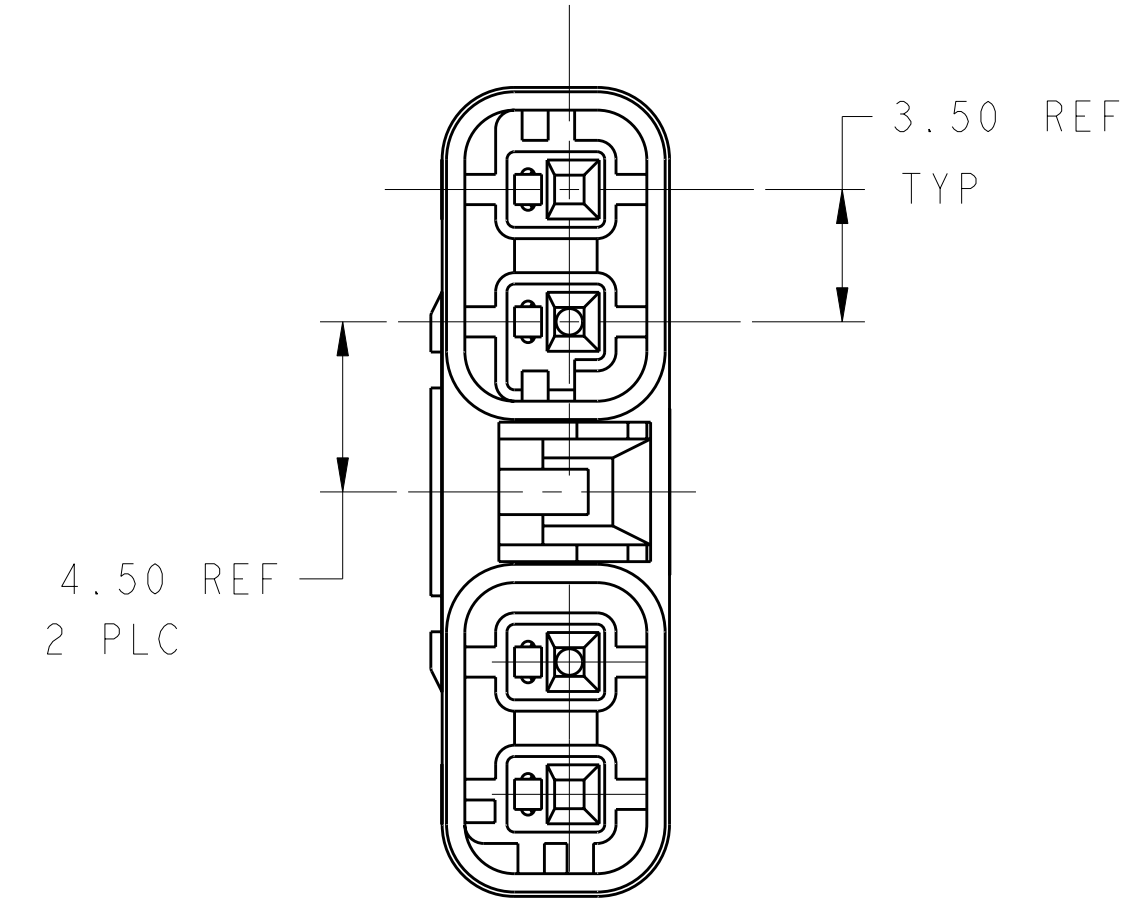
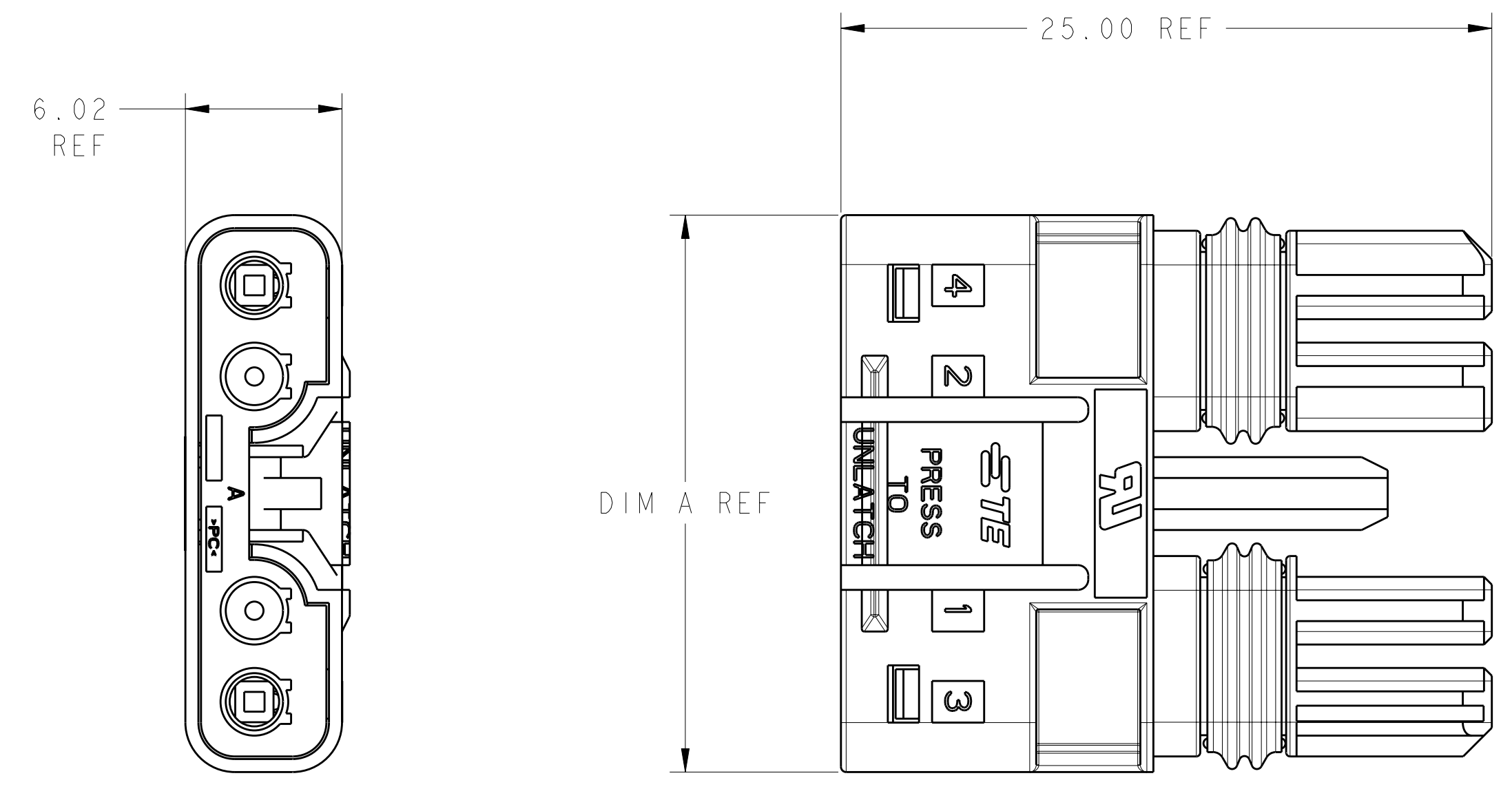
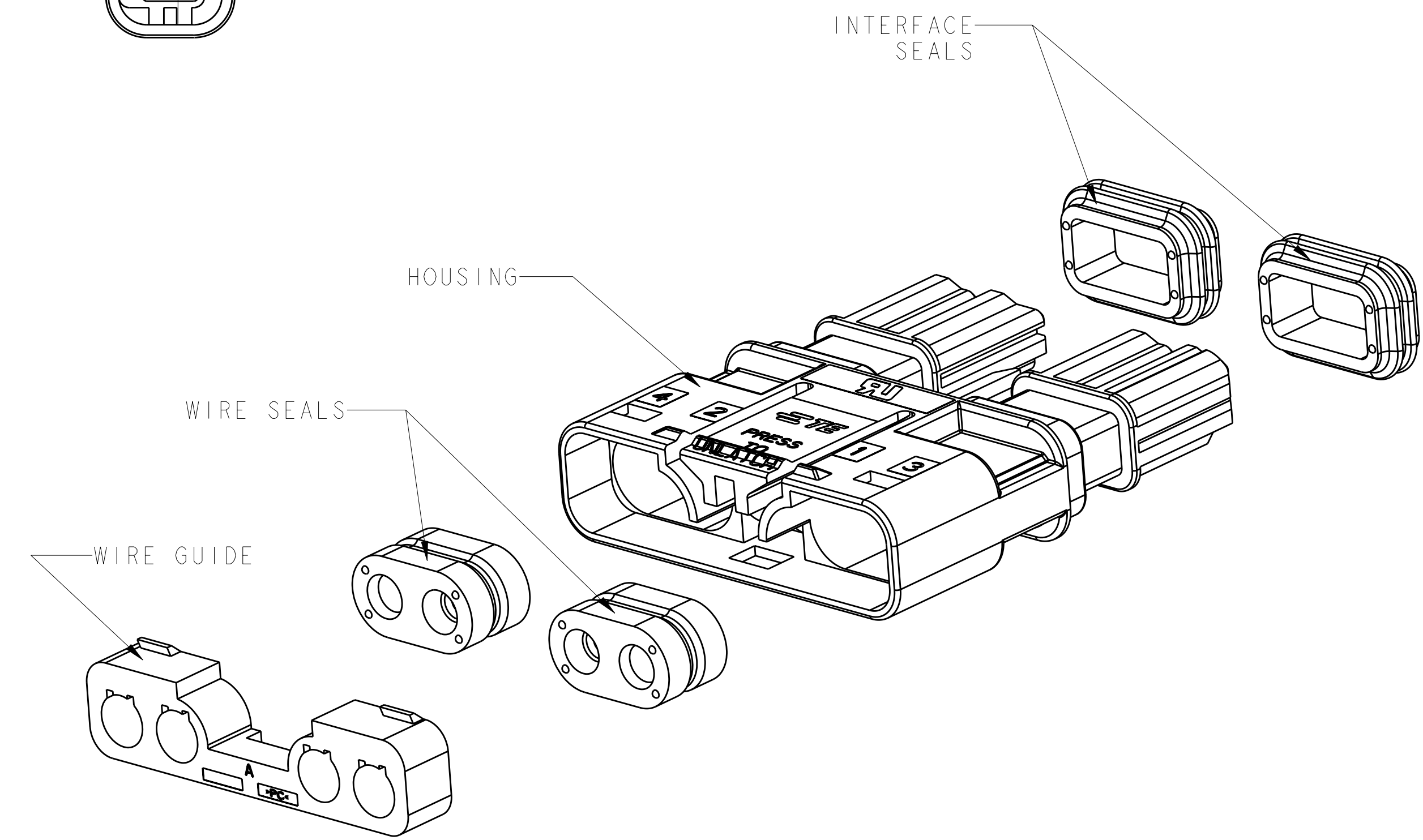
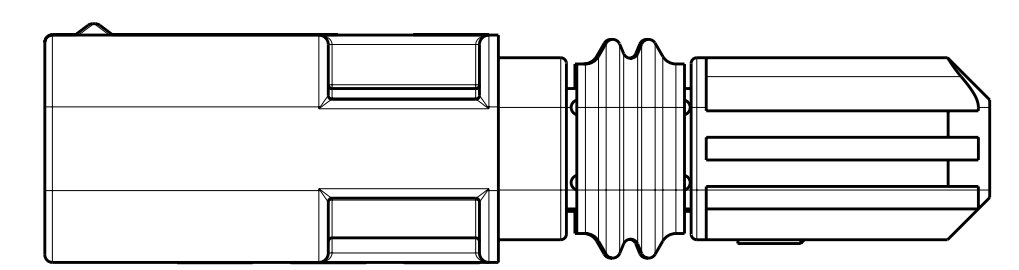


LOC	DIST	REVISIONS			
CM	00	REV	DATE	BY	APPD
		A1	11MAR2011	RK	HMR
		B	26DEC2011	HVG	DD
		B1	15MAY2012	RS	DD

- ⚠ MATERIAL: HOUSING: POLYCARBONATE, FI PER UL 746C, COLOR: BLACK  
 WIRE GUIDE: POLYCARBONATE, FI PER UL 746C, COLOR: BLACK  
 SEALS: SILICONE RUBBER, COLOR BLUE
2. THIS PART HAS NOT COMPLETED VALIDATION TESTING.  
 3. MUST COMPLY WITH DIRECTIVE 2002/95/EC (ROHS).



2106135-4  
SCALE 3:1



2106135-4 SHOWN

21.40	4	2106135-4
17.90	3	2106135-3
14.40	2	2106135-2
DIM A REF	NO. OF POSN	PART NUMBER

DIMENSIONS:		TOLERANCES UNLESS OTHERWISE SPECIFIED:		MATERIAL:		FINISH:		APPROVALS:		CUSTOMER DRAWING	
mm	9 PLC	±	0.2	91	114-13261	-	-	DM VAN SCOOC	12FEB2009	114-13261	12FEB2009
	1 PLC	±	0.15					CHY A. BUCHER	12FEB2009		
	5 PLC	±	0.15					APVD A. BUCHER	12FEB2009		
	4 PLC	±	0.15					NAME			
	ANGLES	±	0°					PRODUCT SPEC			
								APPLICATION SPEC			
								SIZE			
								CAGE CODE			
								DRAWING NO			
								RESTRICTED TO			
								SCALE	4:1	SHEET	1 OF 1
								REV			B1



ASSEMBLY, PLUG, FREE HANGING SLIMSEAL SSL CONNECTOR

SIZE: A100779 CAGE CODE: C=2106135