

# 2J426

## (DATASHEET)

**Type**  
**Frequencies**

Combined antenna  
AMPS (850 MHz)  
GSM (900 MHz)  
3G (UMTS 2.1 GHz)  
DCS (1800 MHz)  
PCS (1900 MHz)

GPS (1575.42 MHz)

**Mounting**  
**Revision**

WIFI / BLUETOOTH (2.4 GHz)  
Any Surface  
00



*Tipul*  
P. Tipul

## 1. SPECIFICATION

### 1.1. *Electrical Specifications*

#### Mobile (Cable 1)

Frequencies	AMPS (850 MHz) GSM (900 MHz) DCS (1800 MHz) PCS (1900 MHz) 3G (UMTS 2.1 GHz)
Impedance	50 Ohms
Polarization	Horizontal
Gain	0dBi
VSWR	<2:1
Power handling	35W

#### Navigation (Cable 2)

Frequencies	GPS (1575.42 MHz)
Impedance	50 Ohms
Noise figure	1.15dB
Patch gain	2-3dBiC
Patch size	25x25x4mm
Polarization	RHCP
LNA Gain	26dB at 3V, 27dB at 5V
VSWR	<2:1
Voltage supply	2.7V to 5.5V
Current	15mA - 25mA
Power (max.)	138mW

#### Wifi (Cable 3)

Frequencies	WIFI / BLUETOOTH (2.4 GHz)
Impedance	50 Ohms
Polarization	Horizontal
Gain	0dBi
VSWR	<2:1
Power handling	35W

### 1.2. *General Specifications*

IP rating	IP67
Operating temperature	-40°C to +85°C

### 1.3. Connection Specifications

Cable 1 (Mobile):  
Connector type: FME  
Cable: RG174U  
Cable length: 250 cm

Cable 2 (Navigation):  
Connector type: SMA  
Cable: RG174U  
Cable length: 250 cm

Cable 3 (WiFi):  
Connector type: FME  
Cable: RG174U  
Cable length: 250 cm

For different cable length and connector type ask our sales team.

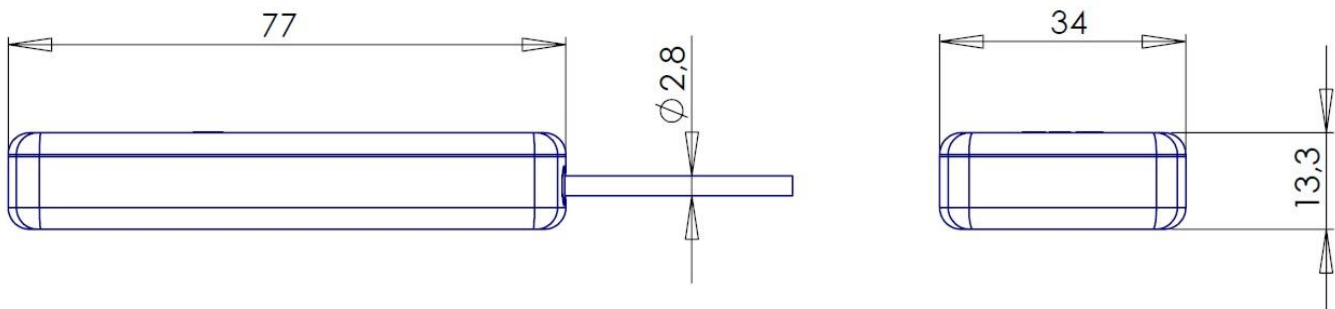
### 1.4. Mechanical Specifications and Dimensions

#### 1.4.1. Mounting Type

- Any Surface
- Glass Mount
- Patch Mount

#### 1.4.2. Mechanical specification

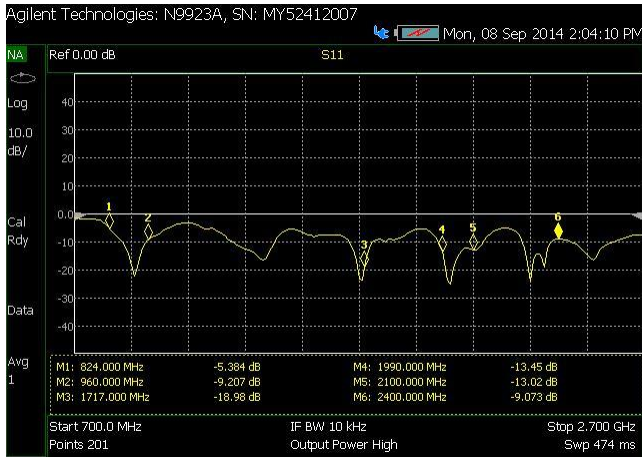
Material: ABS  
Max. dimensions: 13.3mm x 77mm x 34mm (H x L x W)  
Weight: 126 g 'counted with default connection'  
Colour: Black (for different colours please ask our sales team)



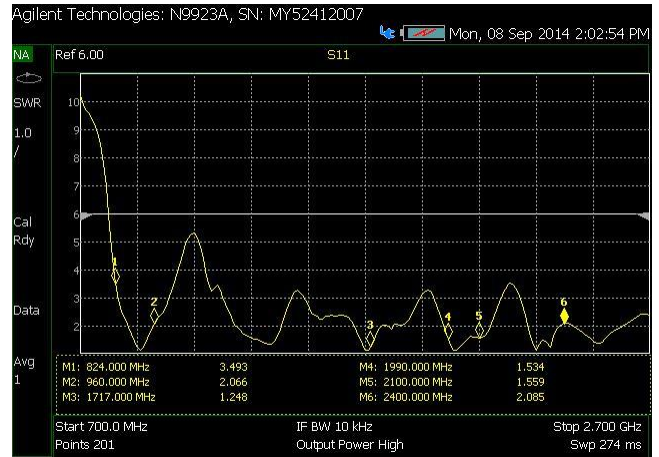
## 2. MEASUREMENT

### 2.1. GSM

2J426-030RG174-C20N GSM LOG MAG



2J426-030RG174-C20N GSM VSWR

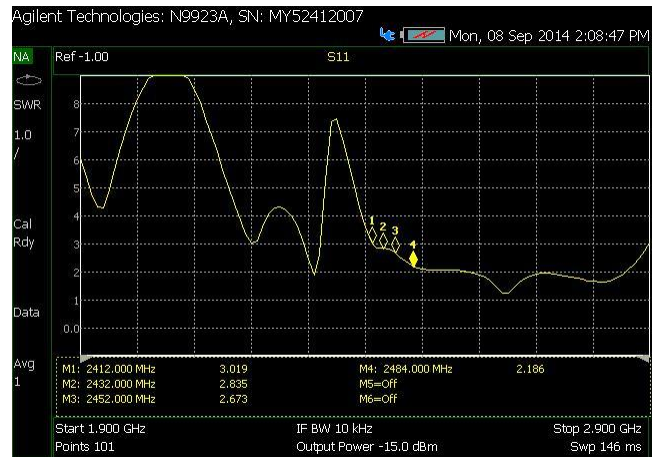


### 2.2. WiFi

2J426-030RG174-C20N WIFI LOG MAG

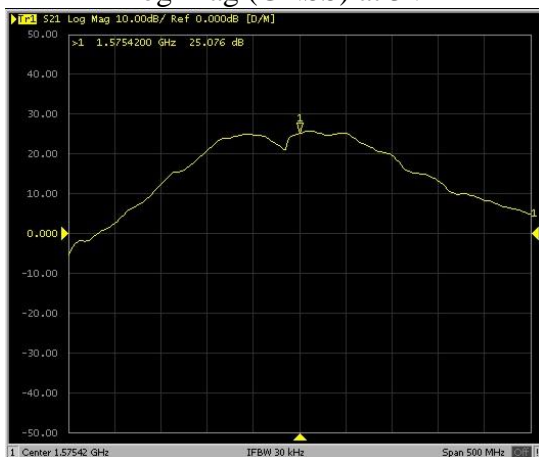


2J426-030RG174-C20N WIFI VSWR



### 2.3. GPS

Log Mag (GNSS) at 3V



Log Mag (GNSS) at 3V



### 3. IMAGES

