

## 1 Overview

This document gives the usage of SIM7100x EVB, user can get useful information about the SIM7100x EVB quickly through this document.

**NOTE: This document is subject to change without notice at any time.**

**Table 1: SIM7100x EVB Key Features**

| Feature      | Implementation  |
|--------------|---|
| Power supply | 1: DC 5.0V ~9.0V<br>2: USB 5.0V power supply  |
| Interface    | UART connector<br>USB connector<br>USIM card socket<br>Micro SD card socket<br>POWER on/off button and RESET button<br>RF control(Flight mode) switch and UART enable/disable switch<br>Three antenna SMAs<br>Headset and handset interface<br>ADC/ ISINK/IIC/PCM/UART/GPIO/keypads test points |

**NOTE: For more details about SIM7100x series frequency bands. Please refer to the “SIM7100\_Hardware\_Design” document.**

## 2 SIM7100x EVB

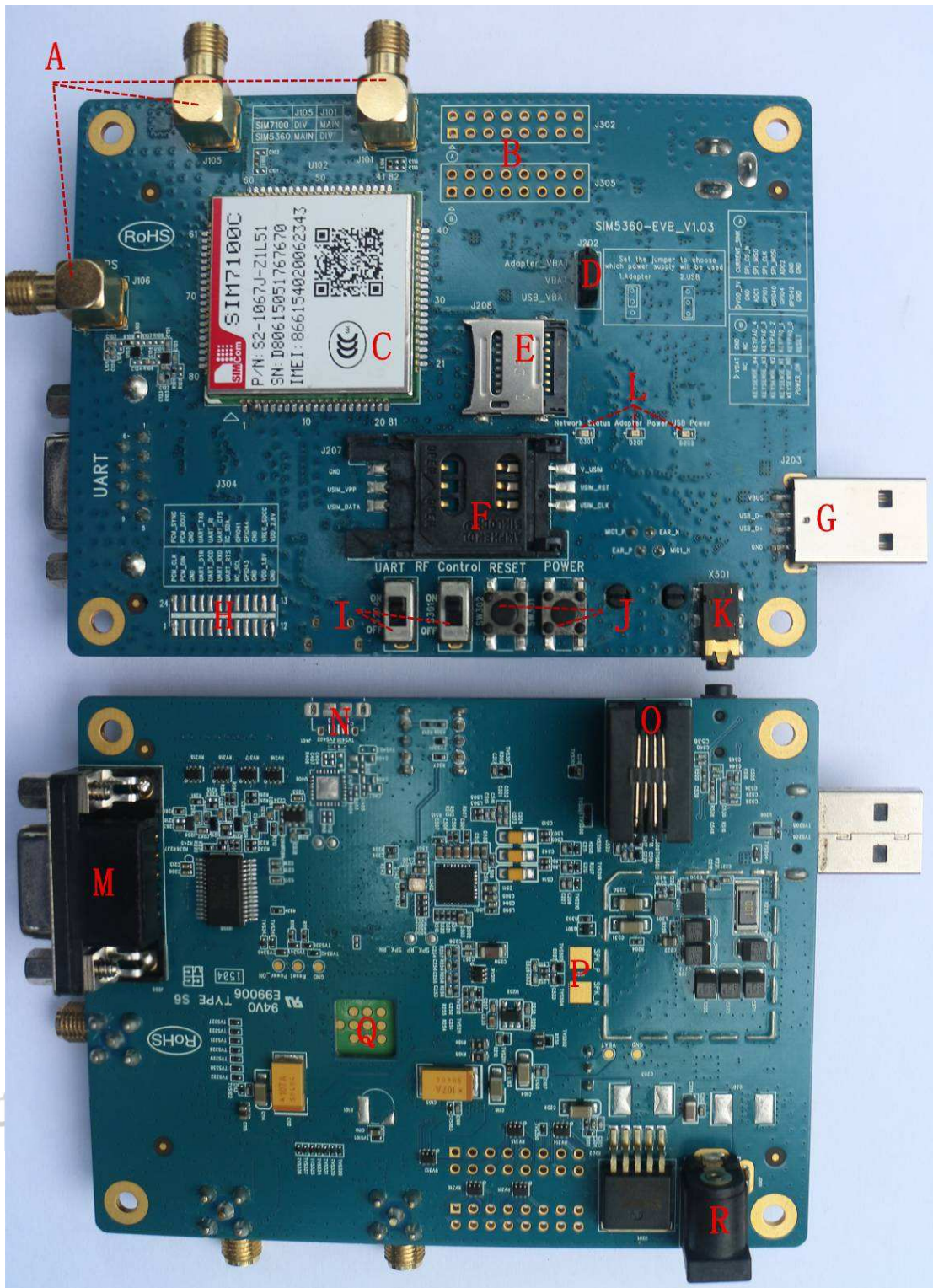
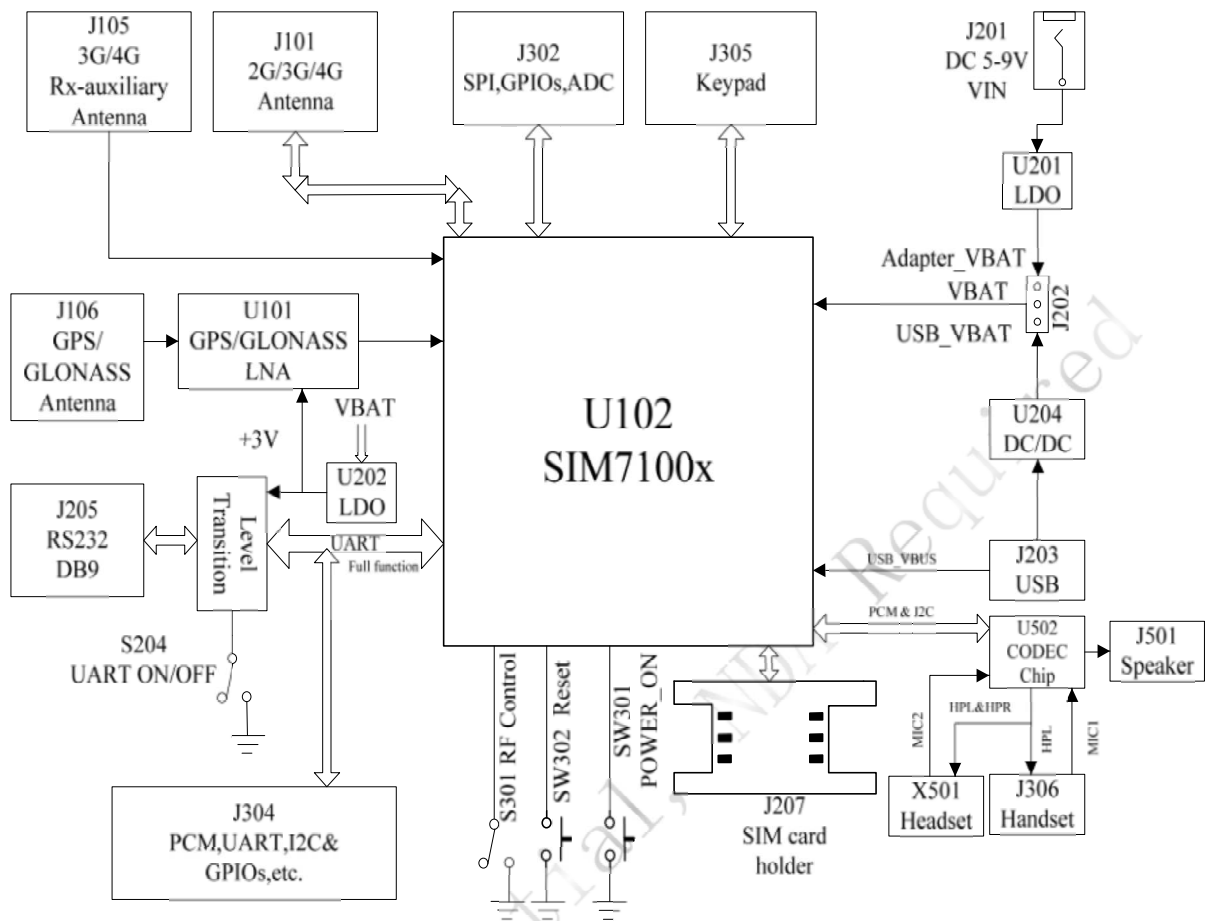


Figure 1: EVB View

- A: Main antenna SMA, Diversity antenna SMA, GPS/GLONASS antenna SMA
- B: IO interface test points (including GPIO, Keypads, ADC, SPI, ISINK)
- C: SIM7100x module
- D: Power supply selection jumper
- E: Micro SD card socket
- F: USIM card socket
- G: USB connector
- H: IO interface test points (including PCM, UART, GPIO, LDO)
- I: UART enable/disable switch, RF enable/disable (flight mode) switch
- J: Reset button, Power on/off button
- K: Headset connector
- L: LED indicators
- M: UART connector
- N: None
- O: Handset connector
- P: Speaker test points
- Q: JTAG test point
- R: Power supply adapter connector

The following figure shows block diagram of SIM7100x EVB.



**Figure 2: EVB Functional Architecture**

All hardware sub-interfaces of SIM7100x EVB are described in detail in following chapters.

### 3 EVB accessories



**Figure 3: EVB Accessories**

- A: GPS/GLONASS antenna
- B and C: Main and Auxiliary antenna
- D: USB cable
- E: 5V DC adapter
- F: USB-UART driver CD
- G: USB-UART cable