

# 2JF0155P

## NFC Flexible Polymer Adhesive Mount

### Key Features

#### NFC

- 13.56 MHz

Self-Adhesive

Flexible Material

Ground Plane Independent

Dimensions 25 × 25 × 0.2 mm

Customizable Cable and Connector



## 1. Antenna and electrical specifications

Parameters	13.56 MHz NFC Antenna
<b>Standards</b>	NFC
<b>Band (MHz)</b>	13.56 MHz
<b>Reading Distance (mm)</b>	25
<b>Self-Resonance Freq.</b>	100 MHz
<b>Inductance (μH)</b>	~1.0
<b>Resistance (Ohm)</b>	~1.6
<b>Q Factor</b>	45
<b>Impedance (Ohm)</b>	50 / 75
<b>Matched Q Value</b>	5-25
<b>Connector Type</b>	5037640201
<b>Cable Length</b>	300 mm
<b>Cable Type</b>	AWG28

### Antenna Measurement Conditions:

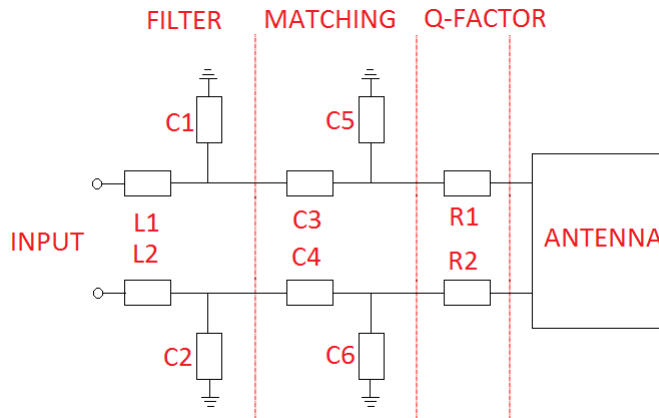
Mounted on 30 x 30 x 0.25 cm ABS Plate

300 mm AWG28 Cable

## 2. Mechanical and environmental specifications

Specifications	2JF0155P
<b>Mounting Type</b>	Self-Adhesive
<b>Dimensions (mm)</b>	25 × 25 × 0.2
<b>Adhesive Type</b>	3M 467
<b>Material</b>	Flexible Polymer
<b>Operating Temperature (C)</b>	-40 to +85
<b>Storage Temperature (C)</b>	-40 to +85
<b>Substance Compliance</b>	RoHS

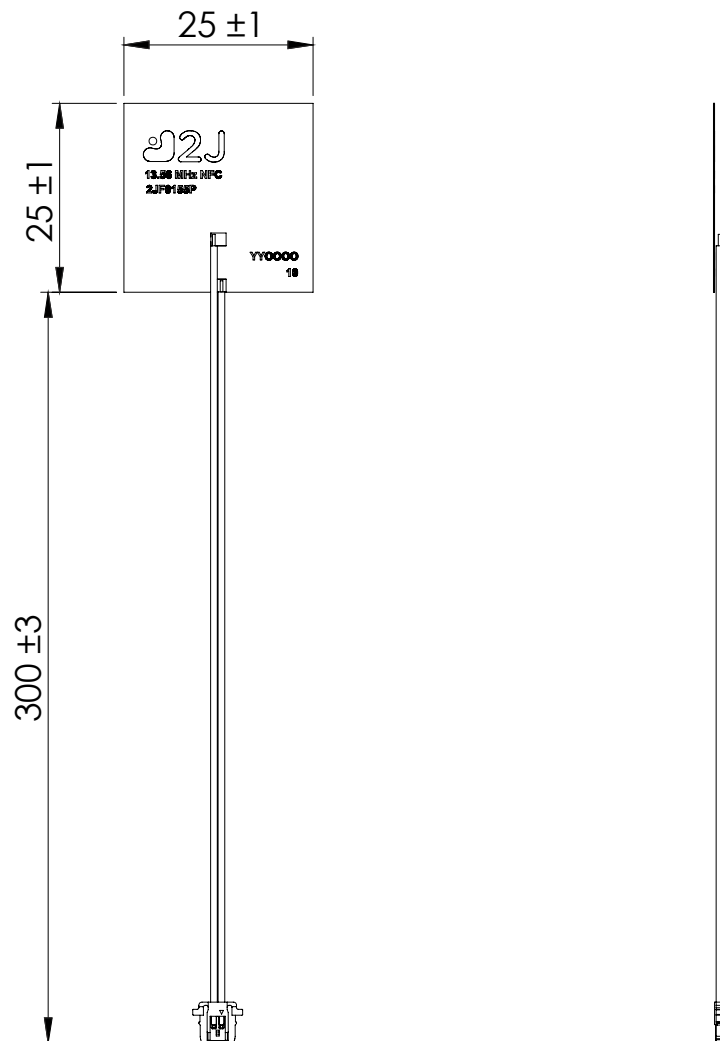
## 3. Matching parameters



### MATCHING NETWORK VALUES

<b>L1=L2:</b>	560 nH
<b>C1=C2:</b>	180 pF
<b>C3=C4:</b>	35 pF
<b>C5=C6:</b>	280 pF
<b>R1=R2:</b>	0 Ohm

## 4. Antenna drawings



## 5. Antenna Images

