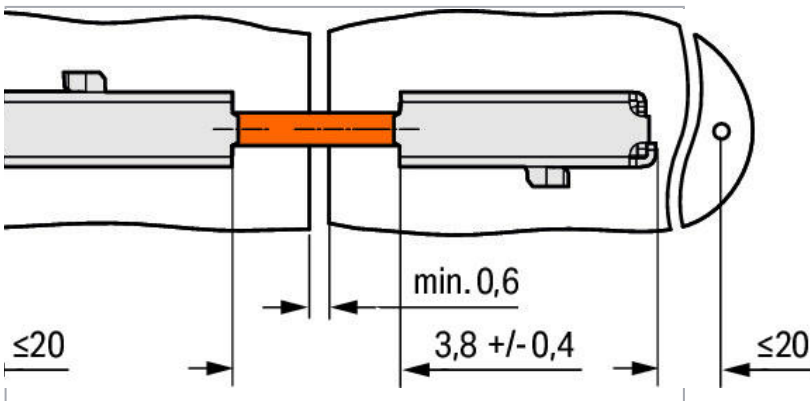
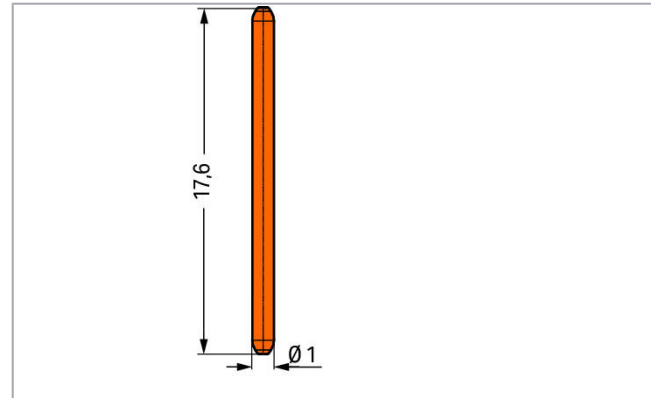


## Data sheet | Item number: 2065-133

Board-to-Board Link; Pin spacing 6.5 mm; Length: 17.6 mm; silver-colored

[www.wago.com/2065-133](http://www.wago.com/2065-133)



### Item description

- Board-to-board links simplify in-line assembly of LED modules
- Space saving connection of PCBs

### Note:

The layout must meet the requirements of the insulation coordination standard EN/IEC 60664-1 and applicable end product standards.

Subject to changes. Please also observe the further product documentation!

WAGO Kontakttechnik GmbH & Co. KG  
Hansastr. 27  
32423 Minden  
Phone: +49571 887-0 | Fax: +49571 887-169  
Email: [info.de@wago.com](mailto:info.de@wago.com) | Web: [www.wago.com](http://www.wago.com)

Do you have any questions about our products?  
We are always happy to take your call at +49 (571) 887-44222.

**Safety information 1:**

**NOTE:** Terminal block without insulation housing! Protection against accidental contact must be provided at voltages higher than low voltages (e. g., SELV/PELV) for the relevant application.

**Data****Electrical data****Ratings per IEC/EN**

Ratings per	IEC/EN 60664-1
Nominal voltage (III/3)	250 V
Rated surge voltage (III/3)	4 kV
Rated voltage (III/2)	320 V
Rated surge voltage (III/2)	4 kV
Nominal voltage (II/2)	630 V
Rated surge voltage (II/2)	4 kV
Rated current	9 A
Legend (ratings)	(III / 2) $\hat{=}$ Overvoltage category III / Pollution degree 2

**Physical data**

Depth	17.6 mm / 0.693 inch
Length	17.6 mm
Diameter	1 mm

**Mechanical data**

Mating cycles (max.)	10
Number of mating cycles	max. 10 connections/disconnections
Suitable	for SMD PCB terminal blocks (2065 Series)

**Material data**

Color	silver-colored
Contact material	Copper alloy
Contact plating	silver-plated
Weight	0.1 g

**Environmental requirements**

Limit temperature range	-60 ... +120 °C
-------------------------	-----------------

Subject to changes. Please also observe the further product documentation!



## Commercial data

Packaging type	BOX
Country of origin	DE
GTIN	4055143862738
Customs tariff number	85369010000

## Downloads

### Documentation

#### Additional Information

Technical explanations	3. 4. 2019	pdf 2.0 MB	Download
------------------------	------------	---------------	----------

## CAD/CAE-Data

### CAD data

2D/3D Models 2065-133	URL	Download
-----------------------	-----	----------

### CAE data

ZUKEN Portal 2065-133	URL	Download
-----------------------	-----	----------

## Environmental Product Compliance

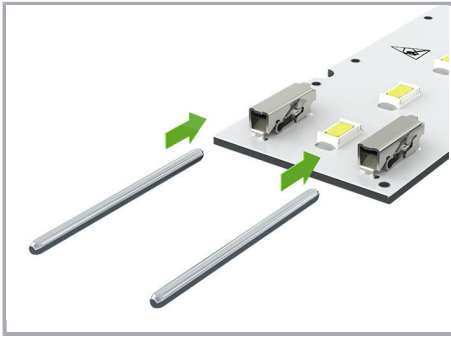
### Compliance Search

Environmental Product Compliance 2065-133 Board-to-Board Link; Pin spacing 6.5 mm; Length: 17.6 mm; silver-colored	URL	Download
---	-----	----------

## Installation Notes

### Installation

Subject to changes. Please also observe the further product documentation!



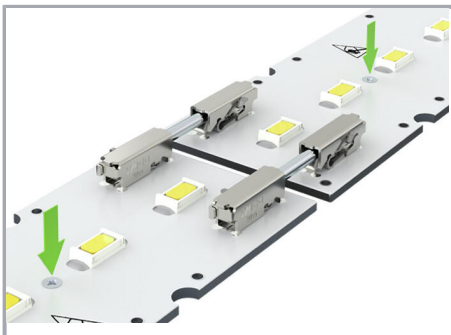
Insert the board-to-board links into the terminal blocks.

#### Installation



Assembly: Place PCBs on a flat surface and insert links into terminal blocks on adjoining PCBs. Disassembly: Open the terminal blocks with an operating tool. (max. 5 connections/disconnections)

#### Installation



The PCBs must be secured.

Subject to changes. Please also observe the further product documentation!