

1719043-1 ✓ ACTIVE

AMP | Timer Connector System

TE Internal #: 1719043-1

Single Wire Seal (SWS), Silicone, Green, 8.5 mm [.334 in] Cavity Diameter, 4.5 mm [.177 in] Insulation Diameter, Timer Connector System

[View on TE.com >](#)



Connectors > Connector Accessories > Connector Seals & Cavity Plugs



Connector Seal & Plug Type: **Single Wire Seal (SWS)**

Primary Product Material: **Silicone**

Primary Product Color: **Green**

Cavity Diameter: **8.5 mm [.334 in]**

Compatible Insulation Diameter Range: **4.5 mm [.177 in]**

## Features

### Product Type Features

Connector Seal & Plug Type	Single Wire Seal (SWS)
----------------------------	------------------------

### Body Features

Primary Product Material	Silicone
Primary Product Color	Green

### Dimensions

Cavity Diameter	8.5 mm[.334 in]
Compatible Insulation Diameter Range	4.5 mm[.177 in]

### Usage Conditions

Operating Temperature (Max)	65 °C, 70 °C, 75 °C, 80 °C, 85 °C, 90 °C, 100 °C, 105 °C, 110 °C, 120 °C, 125 °C, 130 °C [149 °F][158 °F][167 °F][176 °F][185 °F][194 °F][212 °F][221 °F][230 °F][248 °F][257 °F][266 °F]
Operating Temperature Range	-40 – 130 °C[-40 – 266 °F]

### Industry Standards



UL Flammability Rating	None
------------------------	------

### Other

Resistance to Hydrocarbons	Poor
----------------------------	------

Shore A Hardness	50
------------------	----

Contains Lubricant	Yes
--------------------	-----

## Product Compliance

[For compliance documentation, visit the product page on TE.com>](#)

EU RoHS Directive 2011/65/EU	Compliant
------------------------------	-----------

EU ELV Directive 2000/53/EC	Compliant
-----------------------------	-----------

China RoHS 2 Directive MIIT Order No 32, 2016	No Restricted Materials Above Threshold
---	---

EU REACH Regulation (EC) No. 1907/2006	Current ECHA Candidate List: JUNE 2024 (241) Candidate List Declared Against: JUNE 2023 (235) Does not contain REACH SVHC
--	---

Halogen Content	Low Halogen - Br, Cl, F, I < 900 ppm per homogenous material. Also BFR/CFR/PVC Free
-----------------	---

Solder Process Capability	Not applicable for solder process capability
---------------------------	--

### Product Compliance Disclaimer

This information is provided based on reasonable inquiry of our suppliers and represents our current actual knowledge based on the information they provided. This information is subject to change. The part numbers that TE has identified as EU RoHS compliant have a maximum concentration of 0.1% by weight in homogenous materials for lead, hexavalent chromium, mercury, PBB, PBDE, DBP, BBP, DEHP, DIBP, and 0.01% for cadmium, or qualify for an exemption to these limits as defined in the Annexes of Directive 2011/65/EU (RoHS2). Finished electrical and electronic equipment products will be CE marked as required by Directive 2011/65/EU. Components may not be CE marked. Additionally, the part numbers that TE has identified as EU ELV compliant have a maximum concentration of 0.1% by weight in homogenous materials for lead, hexavalent chromium, and mercury, and 0.01% for cadmium, or qualify for an exemption to these limits as defined in the Annexes of Directive 2000/53/EC (ELV). Regarding the REACH Regulation, the information TE provides on SVHC in articles for this part number is based on the latest European Chemicals Agency (ECHA) 'Guidance on requirements for substances in articles' posted at this URL: <https://echa.europa.eu/guidance-documents/guidance-on-reach>

## Compatible Parts




TE Part # CAT-AM7-FRB69  
Sealed Fuse and Relay Boxes



TE Part # CAT-L489-CH8172  
LEAVYSEAL Connector Housings



TE Part # CAT-H3399-CH8172  
Heavy Duty Sealed Connector Series Housings



TE Part # 1-1418507-2  
SOCKET HSG 4POS.,AMP MCP2.8 /MCP6.3K



TE Part # 1-1718628-1  
AMP MCP 2.8 HSG. 4POS.,ASS'Y



TE Part # CAT-AM705-T273  
AMP MCP, RECEPTACLE AND TAB



TE Part # 2301461-1  
30POS,HYBRID,TAB HSG ASSY,SLD, COD A



TE Part # 2301462-1  
30POS,HYBRID,REC HSG ASSY,SLD, COD A



TE Part # 1-2321910-1  
HVA630 3P PLUG ASSY, UNSHIELD



TE Part # 1-2344950-1  
95POS, HYBRID, REC HSG, ASSY, COD A



TE Part # 1-2461606-1  
3POS,DIA 4MM,HDR ASSY,180DEG, COD A



TE Part # 1-2461606-2  
3POS,DIA 4MM,HDR ASSY,180DEG, COD B



TE Part # 2-1564536-1  
4POS,TAB5.8X0.8,TABHSG,ASSY, COD. B



TE Part # 2-2344950-1  
95POS, HYBRID, REC HSG, ASSY, COD B



TE Part # 2-2461606-1  
2POS,DIA 4MM,HDR ASSY,180DEG, COD A



TE Part # 2-2461606-2  
2POS,DIA 4MM,HDR ASSY,180DEG, COD B



TE Part # 2-2461606-3  
2POS,DIA 4MM,HDR ASSY,180DEG, COD C



TE Part # 2301461-2  
30POS,HYBRID,TAB HSG ASSY,SLD, COD B



TE Part # 2321910-1  
HVA630 3P PLUG ASSY, UNSHIELD



TE Part # 2461606-3  
3POS,DIA 4MM,HDR ASSY,180DEG, COD C

Also in the Series | **Timer Connector System**



Automotive Connector Caps & Covers (13)



Automotive Connector Locks & Position Assurance(15)



Automotive Housings(207)



Automotive Terminals(110)



Connector Seals & Cavity Plugs(36)



Crimp Terminal Housings(13)



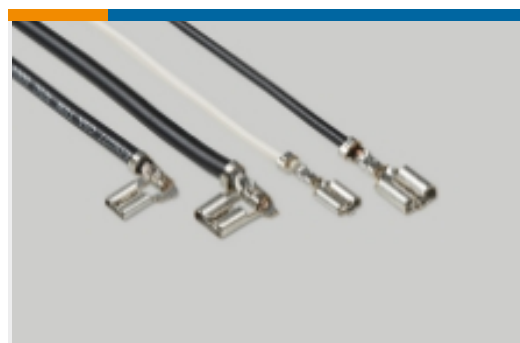
Insertion & Extraction Tools(18)



Other Automotive Connector Accessories(1)



PCB Headers & Receptacles(40)



Quick Disconnects(4)

## Customers Also Bought



TE Part #2098164-1  
Cover, 60 Position PDM



TE Part #1-962918-1  
TAB 5.8x0.8 CONTACT CS SWS Sn



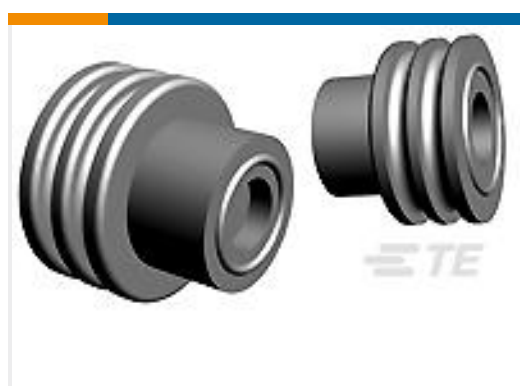
TE Part #1-1564546-1  
2POS,TAB 5.8X0.8,TAB HSG,ASSY



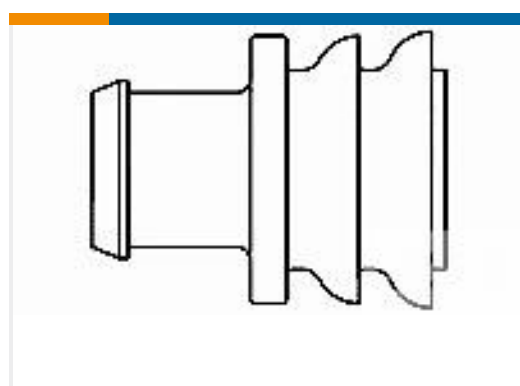
TE Part #1-1703532-1  
2POS,TAB 5.8X0.8,TAB HSG,ASSY



TE Part #1-1241408-3  
AMP MCP, RECEPTACLE AND TAB



TE Part #1823111-1  
SINGLE WIRE SEAL, FOR WIRE 2.5 SQMM, BN



TE Part #282536-1  
S.WAY SEAL F.JPT CONTACT 2.5MM



TE Part #1-2321910-1  
HVA630 3P PLUG ASSY, UNSHIELD



## Documents

### CAD Files

[3D PDF](#)

[3D](#)

**Customer View Model**

[ENG\\_CVM\\_CVM\\_1719043-1\\_A.2d\\_dxf.zip](#)

English

**Customer View Model**

[ENG\\_CVM\\_CVM\\_1719043-1\\_A.3d\\_igs.zip](#)

English

**Customer View Model**

[ENG\\_CVM\\_CVM\\_1719043-1\\_A.3d\\_stp.zip](#)

English

By downloading the CAD file I accept and agree to the [Terms and Conditions](#) of use.

### Datasheets & Catalog Pages

[HDSCS Catalog](#)

English

[CONNECTOR SELECTOR](#)

English