

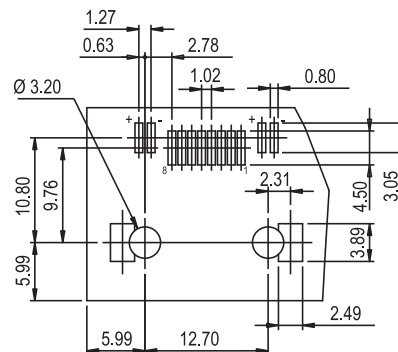
1

2

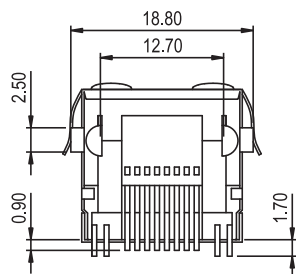
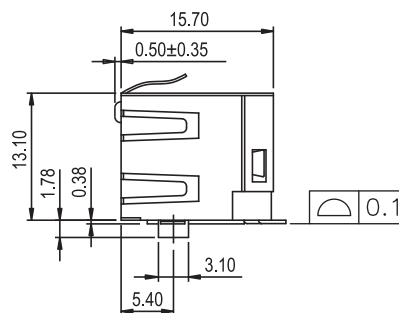
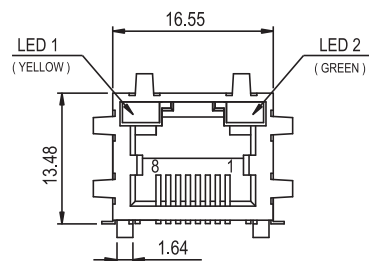
3

4

5



PCB LAYOUT - COMPONENT VIEW



TECHNICAL CHARACTERISTICS

MATERIAL

INSULATOR MATERIAL: PA 9T
 FLAMMABILITY RATING: UL94-V0
 COLOR: BLACK
 CONTACT MATERIAL: COPPER ALLOY
 CONTACT TYPE: STAMPED
 CONTACT PLATING: 6(μ") GOLD
 SHIELDING: BRONZE NI PLATED
 QUALITY CLASS: 500 MATING CYCLES

ENVIRONMENTAL

OPERATING TEMPERATURE: -40 °C UP TO 85 °C
 COMPLIANCE: LEAD FREE AND ROHS

ELECTRICAL

CURRENT RATING: 1.5 A
 WORKING VOLTAGE: 120 VAC
 INSULATION RESISTANCE: >500 MΩ
 WITHSTANDING VOLTAGE: 1 000 VAC/MIN
 CONTACT RESISTANCE: 20 mΩ MAX

STANDARD

 CERTIFIED: E324776

SOLDERING

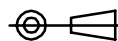
JEDEC LEAD FREE REFLOW SOLDERING PROCESS

PACKAGING

TRAY

RoHS Compliant

PROJECTION:



GENERAL TOLERANCE

.X = +/- 0.2

.XX = +/- 0.15



APPROVAL: JTs

UNIT: MM

SCALE:

SHEET: 1/2

DRAW: JOE

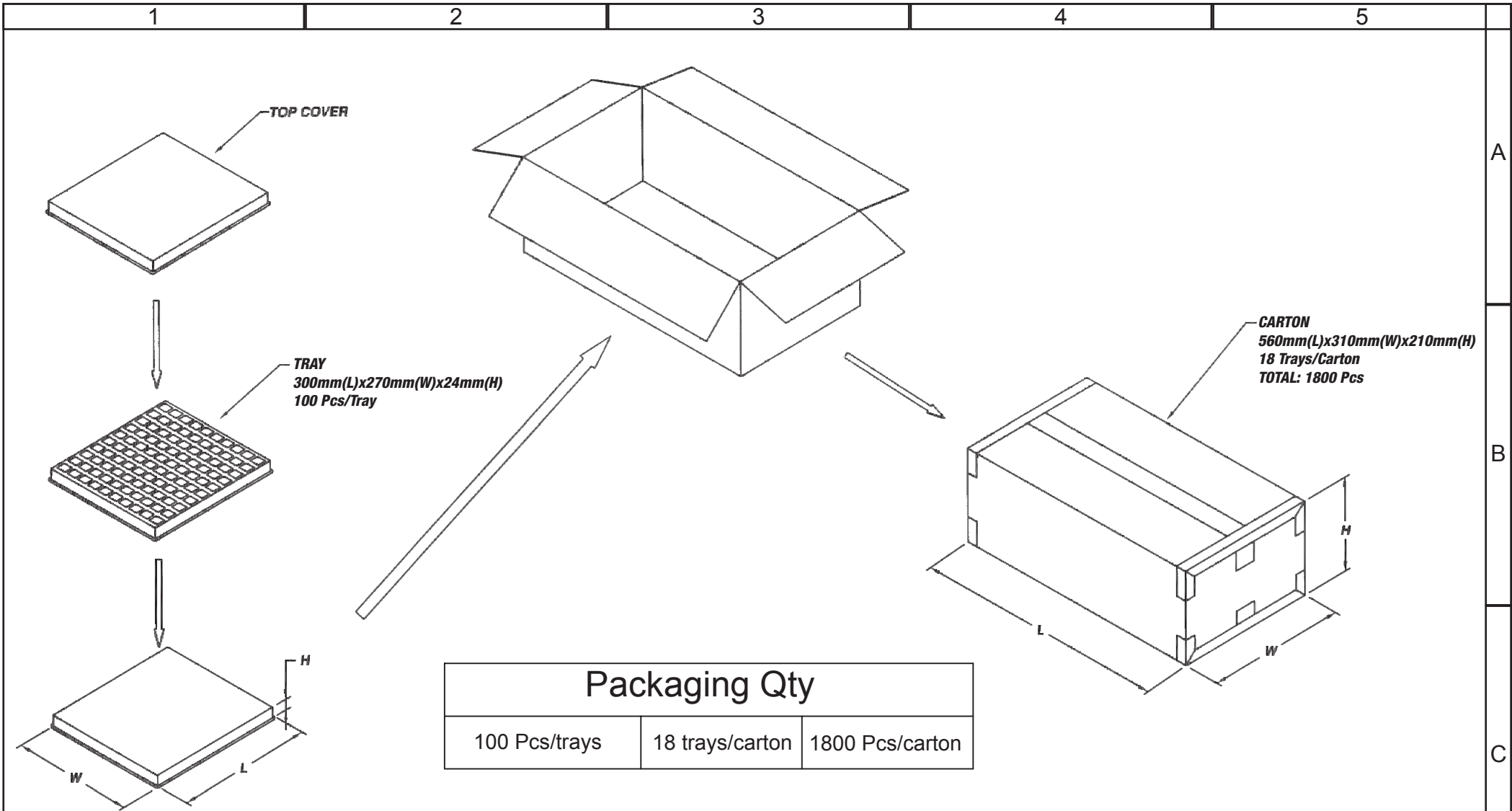
DESCRIPTION: HORIZONTAL SHIELDED SMT WITH LED AND EMI PANEL
 FINGER 8P8C MODULAR JACK TAB UP

WERI PART NO: 634 008 137 521

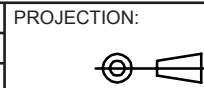
SIZE

A4H
REV12-MAR-15
DATECOPLANARITY
FILEQL
BY

D



RoHS Compliant			
G			
F			
E			
D			
C			
B			
A			
REV	DATE	FILE	BY



GENERAL TOLERANCE
.X = +/- 0.2
.XX = +/- 0.15



APPROVAL: RJ

UNIT: MM
SCALE:
SHEET: 2/2
DRAW: PEARL

DESCRIPTION: HORIZONTAL SHIELDED SMT WITH LED AND EMI PANEL
FINGER 8P8C MODULAR JACK TAB UP
WERI PART NO: 634 008 137 521_TPK

SIZE
A4