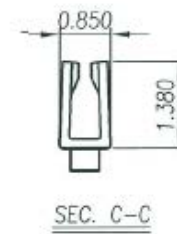
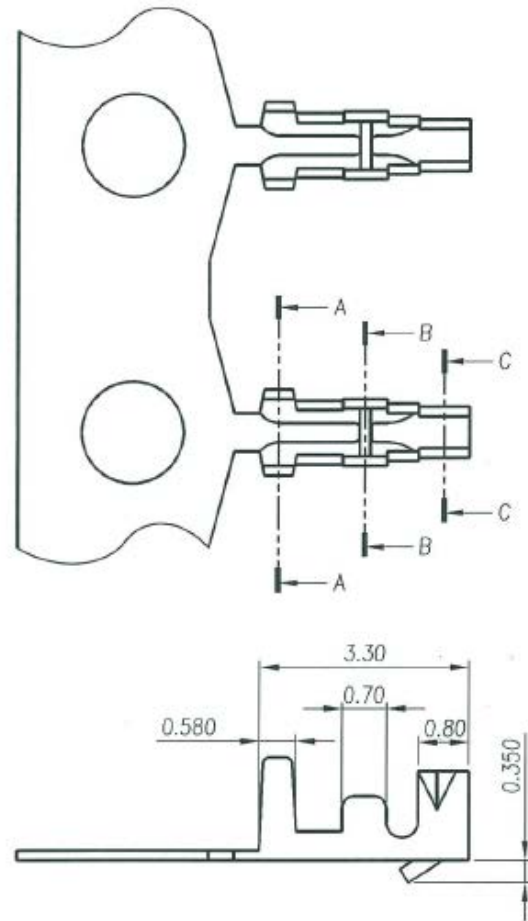


MATERIAL

Terminal material: Phosphor Bronze/Tin-plater
Wire Range: 28 to 32AWG

SPECIFICATION

Current Rate : 1 AMP
Dielectric voltage : 250V AC for one minute
Insulation Resistance : 100MΩMin.
Contact Resistance : 20mΩMax.
Operation Temperature : -25°C to + 85°C



				TOLERANCE		 UNITS : mm		OLD PART NO.		TITLE	
C	更新图面	2019/12/26	.0					DRAWER 杨海琴		1.25mm Wire-to-Board Terminal	
B	REVISE SIZE AND REVISE TOLERANCE	2011/06/03	.00 =±.15					CHECK 李剑		 频锐科技股份有限公司 PINREX TECHNOLOGY CORP.	
A	RELEASE	2009/04/16	.000 =±.XXX					APP'D 李剑		NEW PART NO. 712-70-T00001	
REV.	DESCRIPTION	DATE	ANG.=±X'	SCALE NONE	SIZE A4	SHEET 1 OF 1	REV. C			DRAW NO. 712-70-T00001(C版)	