



Raychem | Raychem RBK-ILS

TE Internal #: 2525596021

Raychem RBK-ILS, Heat Shrink Tubing, Black, Dual Wall Type, 5.75 Expanded Inside Diameter (Min) .226 Expanded Inside Diameter (Min)

[View on TE.com >](#)

Heat Shrink Tubing



Primary Product Color: **Black**

Wall Type: **Dual**

Expanded Inside Diameter (Min): **5.75 mm [.226 in]**

Recovered Inside Diameter (Max): **1.25 mm [.049 in]**

Shrink Ratio: **4:1**

Features

Product Type Features

Product Family	RBK-ILS
Wall Type	Dual

Body Features

Fluid Type	Typical Automotive Fluids, Water
Primary Product Color	Black
Shrink Ratio	4:1
Primary Product Material	Irradiated Modified Polyolefin
Flexibility	Semi-Rigid

Dimensions

Recovered Wall Thickness (Tolerance)	1.15 mm[.045 in]
Cut Length	30 mm[1.181 in]
Expanded Inside Diameter (Min)	5.75 mm[.226 in]
Recovered Inside Diameter (Max)	1.25 mm[.049 in]
Heat Shrink Tubing Size Range	1.25 – 5.75 mm[.049 – .226 in]

Usage Conditions

Fluid Resistance	Moisture/Spray Protection
Shrink Temperature (Min)	135 °C
Heat Shrink Tubing Flammability	Flame-Retardant



Operating Temperature Range	-40 – 125 °C, -40 – 125 °C
-----------------------------	----------------------------

Heat Shrink Tubing Resistance	Abrasion, Fluids
-------------------------------	------------------

Recovery Temperature	110 °C
----------------------	--------

Product Availability

Applicable Region	Global
-------------------	--------

Packaging Features

Packaging Method	Box
------------------	-----

Other

Meets Low Outgassing Requirements	No
-----------------------------------	----

Product Source	Czech Republic
----------------	----------------

Product Compliance

[For compliance documentation, visit the product page on TE.com>](#)

EU RoHS Directive 2011/65/EU	Compliant
------------------------------	-----------

EU ELV Directive 2000/53/EC	Compliant
-----------------------------	-----------

China RoHS 2 Directive MIIT Order No 32, 2016	No Restricted Materials Above Threshold
---	---

EU REACH Regulation (EC) No. 1907/2006	Current ECHA Candidate List: JAN 2021 (211) Candidate List Declared Against: JAN 2021 (211) Does not contain REACH SVHC
--	---

Halogen Content	Low Halogen - Br, Cl, F, I < 900 ppm per homogenous material. Also BFR/CFR/PVC Free
-----------------	---

Solder Process Capability	Not applicable for solder process capability
---------------------------	--

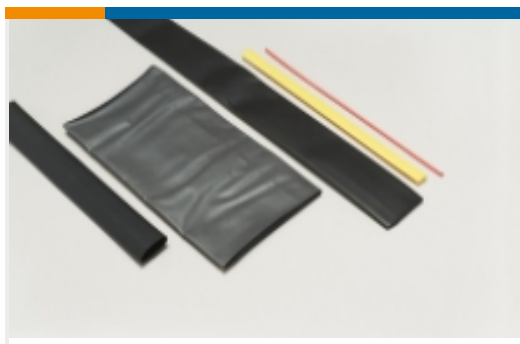
Product Compliance Disclaimer

This information is provided based on reasonable inquiry of our suppliers and represents our current actual knowledge based on the information they provided. This information is subject to change. The part numbers that TE has identified as EU RoHS compliant have a maximum concentration of 0.1% by weight in homogenous materials for lead, hexavalent chromium, mercury, PBB, PBDE, DBP, BBP, DEHP, DIBP, and 0.01% for cadmium, or qualify for an exemption to these limits as defined in the Annexes of Directive 2011/65/EU (RoHS2). Finished electrical and electronic equipment products will be CE marked as required by Directive 2011/65/EU. Components may not be CE marked. Additionally, the part numbers that TE has identified as EU ELV compliant have a maximum concentration of 0.1% by weight in homogenous materials for lead, hexavalent chromium, and mercury, and 0.01% for cadmium, or qualify for an exemption to these limits as defined in the Annexes of Directive 2000/53/EC (ELV). Regarding the REACH Regulation, the information TE provides on SVHC in articles for this part number is based on the latest European Chemicals Agency (ECHA) 'Guidance on requirements for substances in articles' posted at this URL: <https://echa.europa.eu/guidance-documents/guidance-on-reach>

Compatible Parts

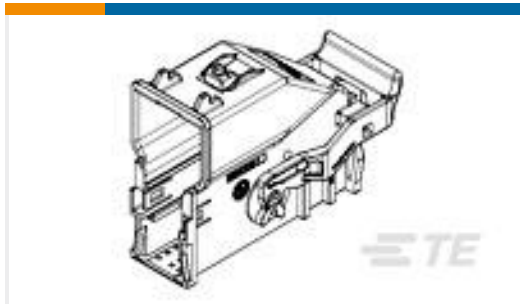


Also in the Series | Raychem RBK-ILS



Heat Shrink Tubing(68)

Customers Also Bought



TE Part #1-1924337-3
Shield Assy, 54 POSN, 0.64mm, 20 DEG BLK



TE Part #1612121-4
SQUIB 2POS PLUG HSG



TE Part #121397P043
ES2000-NO.3-B8-0-40MM



TE Part #0989076002
RBK-ILS-125-NR2-0-50MM



TE Part #1-2208021-1
22POS,0.64 GENER. Y,REC HSG,ASSY



TE Part #CV16606001
OSZH-125-NR1-65MM



TE Part #1-1801175-1
2W RECEPTACLE HP CONNECTOR BLACK



TE Part #0989076011
RBK-ILS-125-NR2-0-30MM



TE Part #1564880-1
GET 0.64,FEMALE TERMINAL 0.13M



TE Part #121397P018
ES2000-NO.3-B8-0-50MM

Documents

Datasheets & Catalog Pages

[RBK-ILS Pages from 1654296-3](#)

English

Application Tooling for Raychem Heat Shrink Product

English

Measuring_Single_Wall_Tubing

English

Selecting_Correct_Tubing



English

Product Specifications

Quality Specification

English

Product Environmental Compliance

Safety Datasheet

German

Safety Datasheet

English

Safety Datasheet

English

Safety Datasheet

Safety Datasheet

French

Safety Datasheet

Safety Datasheet

Safety Datasheet