

# ASX3F

## 3.2x2.5mm Surface Mount Ceramic Crystal Units



### Applications:

- Digital Cellular Telephone
- GPS
- Wireless LAN
- Notebook PC
- POS
- Bluetooth
- Consumer Electronics
- Digital Camera

### FEATURES

- Seam Seal
- Excellent Vibration Resistance & Shock Resistance
- Excellent Solderability
- Excellent Thermal Hysteresis
- High Frequency Stability
- RoHS/REACH Compliant

### SPECIFICATION

MODEL		ASX3F
Frequency		
Frequency Range (Fundamental)	MHz	10.000 ~ 54.000
Frequency Tolerance (25°C)	ppm	± 10 ~ ± 50
Frequency Stability (Ref to 25°C)	ppm	± 15 ~ ± 100
Environmental Condition		
Operating Temperature Range	°C	- 40 to +85 or Specify
Storage Temperature Range	°C	- 55 to + 125
Aging	ppm/Year	±3
Electrical Specifications		
Test Circuit		S&A 350A with $\pi$ Fixture
Load Capacitance (CL)	pF	6pF ~ Series (Customer Specified)
Drive Level	uW	10, 30, 50, 100, 200, 500 or special requirement
Equivalent Series Resistance	$\Omega$	see table
Shunt Capacitance (Co)	pF	5.0 (Max)

### EQUIVALENT SERIES RESISTANCE ( $\Omega$ )

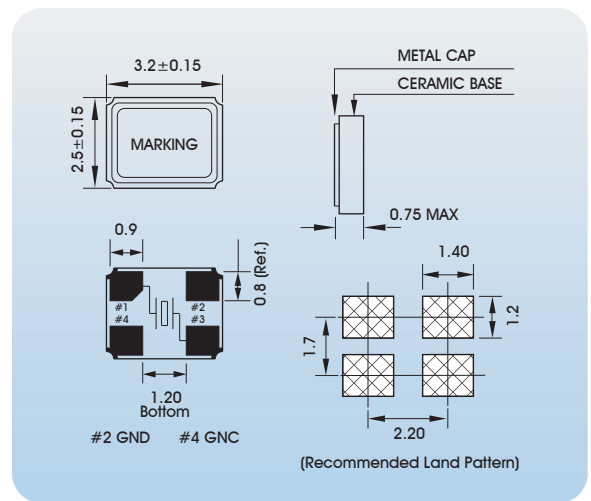
Frequency (MHz)	Mode	Max ESR ( $\Omega$ )
10.000 ~ 11.999	Fundamental	200
12.000 ~ 29.999	Fundamental	100
30.000 ~ 54.000	Fundamental	50

### PART NUMBERING GUIDE

Example: ASX3F-25M-FE160E2

MODEL	Frequency	Mode	Tolerance	CL	Stability	OP Temp Range
ASX3F	In MHz	F: Fundamental	A: ±10ppm B: ±15ppm C: ±20ppm D: ±25ppm E: ±30ppm F: ±50ppm G: ±100ppm O: Others	060: 6pF 125: 12.5pF 160: 16pF 180: 18pF 200: 20pF 300: 30pF 320: 32pF S: Series	A: ±10ppm B: ±15ppm C: ±20ppm D: ±25ppm E: ±30ppm F: ±50ppm G: ±100ppm O: Others	1: 0 to +70°C 2: -10 to +70°C 3: -20 to +70°C 4: -20 to +80°C 5: -40 to +85°C 6: -40 to +105°C 0: -Others

### DIMENSION (mm)



### MARKING RULE

