

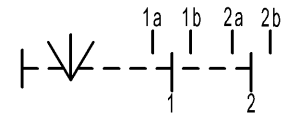
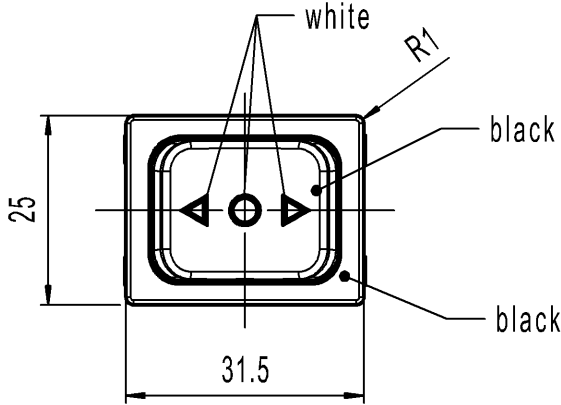
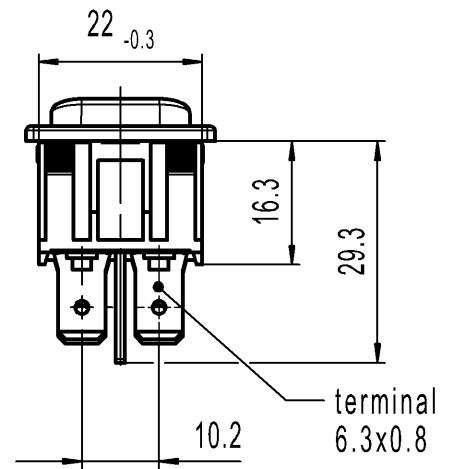
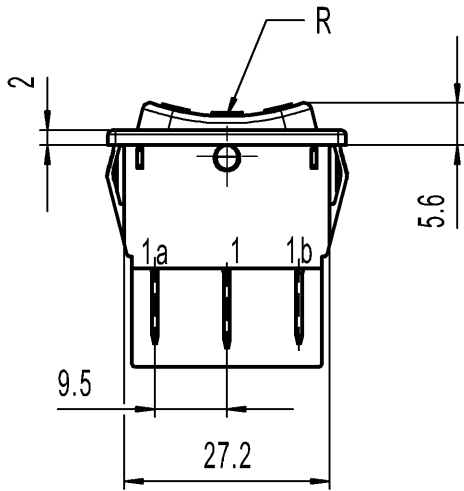
CONFIDENTIAL

VERTRAULICH

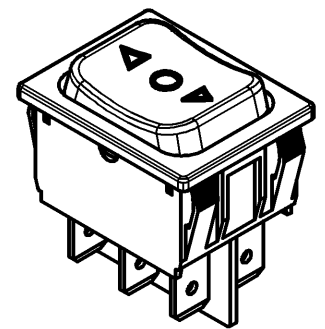
THIS DRAWING IS THE EXCLUSIVE PROPERTY OF MARQUARDT. WITHOUT THEIR CONSENT IT MAY NOT BE REPRODUCED OR GIVEN TO THIRD PARTIES.

Alle Rechte bei Marquardt, auch fuer den Fall von Schutzrechtsanmeldungen. Jede Veruegungsbefugnis, wie Kopier- und Weitergaberecht, bei uns.

A	recommended cut-out for snap-in fixing (edge opposite to snap-in direction)	1	2	3	4
			wall thickness	length of cut-out	width of cut-out
		0.75 to 1.25	30 -0.1	22+0.2	
		1.25 to 2	30.2 -0.1	22+0.2	
		2 to 3	30.6 -0.1	22+0.2	



DPDT
With centre-off
Biased from both sides
Suitable for appliances of class II
With integrated system cover



Marking

Ⓜ
1839.
6(4)/250~T105/55



6A 125-250V AC
1/8 HP

R58

Code of manufacture: place/year/week

-	-	-	1839.3404-XX
Figure	Type	Customer Part No.	Art.No.-PI
Shape and location	Angle ± 2°	Sheet 01	Ident. K
	Edge tolerance	Format DIN A4	Document number 18393404
⊙ ≡	0-6	Projection	Index h
	>6-15	Scale 1:1	Appliance switch
>15-30	All dimensions are in millimetres	MARQUARDT	
>30-70			System NX V1899
h	141196	Replacement of	Zg.gl.Nr.v.04.12.1995
g	64508		
f	35777		
e	33181		
Index	MEC-No.	Date (YYYY-MM-DD)	Edited by