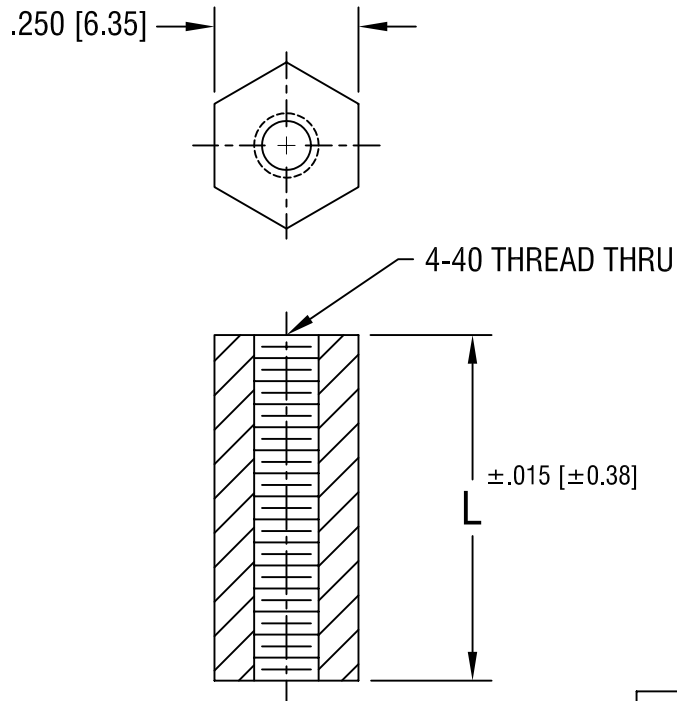


THIS DOCUMENT IS THE PROPERTY OF KEYSTONE ELECTRONICS CORP. AND SHALL NOT BE REPRODUCED, DISTRIBUTED OR USED AS A BASIS FOR MANUFACTURE WITHOUT PRIOR WRITTEN PERMISSION FROM KEYSTONE ELECTRONICS CORP.



PART NO.	'L' DIM.
1902A	.250 [6.35]
1902B	.375 [9.52]
1902C	.500 [12.70]
1902F	.625 [15.87]
1902D	.750 [19.05]
1902G	.875 [22.22]
1902E	1.000 [25.4]

<b>KEYSTONE ELECTRONICS CORP.</b>			
ASTORIA, N.Y. 11105-2017			
PART NAME			
HEX THREADED STANDOFF			
MATERIAL			
NYLON 6/6			
FINISH		DRN BY	DATE
-		BOONE	1.18.00
		APPD	SCALE
			3X
TOLERANCES	INCH [MM]	CODE	DWG NO.
DECIMAL	± .005 [± 0.15]	C/M	1902-
ANGULAR	± 1°		
UNLESS OTHERWISE SPECIFIED			

DATE	DESCRIPTION	REV.