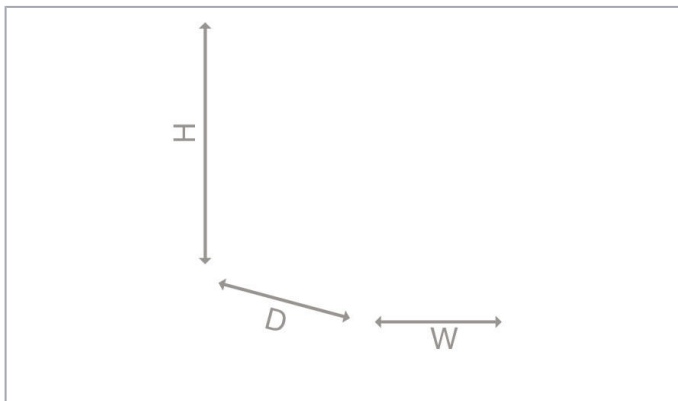
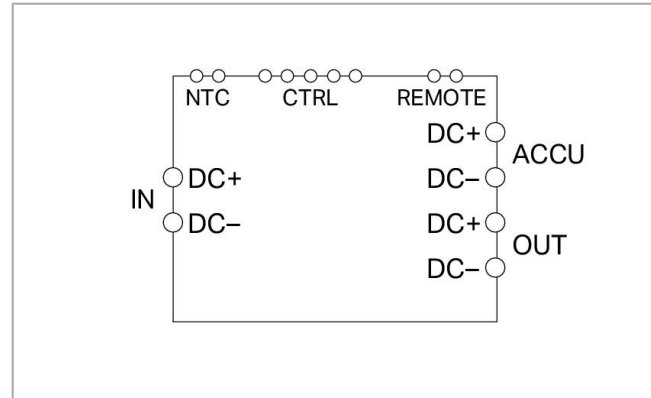


Data sheet | Item number: 787-915

UPS charger and controller; 24 VDC input voltage; 24 VDC output voltage;
40 A output current

www.wago.com/787-915



Item description

Features:

- DC UPS module for uninterruptible power supply (UPS)
- Potential-free contacts provide function monitoring
- Remote input for buffered output deactivation
- Input for temperature control of connected battery
- Battery internal resistance measurement for diagnosing batteries, including the connection cable and fuse

Subject to changes. Please also observe the further product documentation!

WAGO Kontakttechnik GmbH & Co. KG

Hansastr. 27

32423 Minden

Phone: +49571 887-0 | Fax: +49571 887-169

Email: info.de@wago.com | Web: www.wago.com

Do you have any questions about our products?

We are always happy to take your call at +49 (571) 887-44222.

Note:

For North America: Use only batteries with appropriate safety approvals!

Data**Technical data****Input**

Nominal input voltage $U_{i\text{nom}}$	DC 24 V
Input voltage range	DC 22 ... 28 V
Nominal mains frequency range	0 Hz
Input current I_i	≤ 0.16 A (No load); ≤ 4 A (Charging); ≤ 44 A

Output

Nominal output voltage $U_{o\text{nom}}$	DC 24 V
Output voltage range	U_i (rated operation); 19.5 ... 26.5 VDC (unregulated battery voltage in buffer mode)
Nominal output current $I_{o\text{nom}}$	40 A

Energy storage system

Buffer time	load-dependent
Switch-on threshold (adjustable)	DC 21.5 ... 22.5 V
Charging current	1 ... 4 A (adjustable in 1 A steps via DIP switch; Default setting: 2 A)
End-of-charge voltage	DC 26.4 ... 29 V (temperature controlled with NTC; without temperature sensor: 27.2 VDC)
Recommended battery module	Typ: VRLA 24 V; 7 ... 40 Ah

Signaling and communication

Signaling	1 x Power LED (green) 1 x UPS LED (yellow) 1 x Warning LED (red) 2 x isolated relay contact (max. 30 VDC; 1 A)
Operation status indicator	Green LED (operation) Yellow LED (buffer mode/charging) Red LED (warning)
Remote input	Switching buffer mode off

Subject to changes. Please also observe the further product documentation!



Efficiency/power losses

Power loss P_I	≤ 4 W (No load); ≤ 22.5 W (Nominal load)
Efficiency (typ.)	97 % (rated operation); 85 % (charging)

Circuit protection

Internal fuse	T 6.3 A (charging circuit)
Recommended backup fusing	T 50 A

Safety and protection

Isolation voltage (connectors – housing)	DC 0.5 kV
Protection class	III
Protection type	IP20 (per EN 60529)
Reverse voltage protection	yes
Pollution degree	2
Parallel operation	No
Series operation	No
MTBF	600,000 h (40 °C; per SN 29500)

Connection data

Connection type (1)	Input/Output
Connection technology	Push-in CAGE CLAMP®
WAGO Connector	WAGO 2636 Series
Solid conductor	0.75 ... 16 mm ² / 18 ... 4 AWG
Fine-stranded conductor	0.75 ... 25 mm ² / 18 ... 4 AWG
Fine-stranded conductor; with insulated ferrule	0.75 ... 16 mm ²
Fine-stranded conductor; with uninsulated ferrule	0.75 ... 16 mm ²
Strip length	18 ... 20 mm / 0.71 ... 0.79 inch
Connection type 2	Signaling
Connection technology 2	CAGE CLAMP®
WAGO Connector 2	WAGO 741 Series
Solid conductor 2	0.08 ... 2.5 mm ² / 28 ... 12 AWG
Fine-stranded conductor 2	0.08 ... 2.5 mm ² / 28 ... 12 AWG
Fine-stranded conductor; with insulated ferrule 2	0.25 ... 1.5 mm ² /
Fine-stranded conductor; with uninsulated ferrule 2	0.25 ... 1.5 mm ² /
Strip length 2	5 ... 6 mm / 0.2 ... 0.24 inch

Subject to changes. Please also observe the further product documentation!

Physical data

Width	68 mm / 2.677 inch
Height	181 mm / 7.126 inch
Depth from upper edge of DIN-rail	162 mm / 6.38 inch

Mechanical data

Mounting type	DIN-35 rail
---------------	-------------

Material data

Weight	1100 g
--------	--------

Environmental requirements

Surrounding air temperature (operation)	0 ... 50 °C
Surrounding air temperature (storage)	-20 ... 55 °C
Relative humidity	5 ... 95 % (no condensation permissible)
Pollution degree	2

Standards and specifications


Conformity marking	CE
Standards/Specifications	EN 62368-1; EN 61000-6-2; EN 61000-6-3; CSA* (*pending)

Commercial data

Packaging type	BOX
Country of origin	DE
GTIN	4055144035070
Customs tariff number	85044082900

Approvals / Certificates

Country specific Approvals

Logo	Approval	Additional Approval Text	Certificate name
	CSA CSA Group	CAN/CSA-C22.2 No. 62368-1	70216154
	EAC	TP TC 020/2011	RU_C-DE.

Subject to changes. Please also observe the further product documentation!



Downloads

Documentation

Bid Text

787-915 X81 - Datei	12. 7. 2019	xml 7.3 kB	Download
------------------------	-------------	---------------	----------

787-915 docx - Datei	12. 7. 2019	docx 22.1 kB	Download
-------------------------	-------------	-----------------	----------

Instruction Leaflet

UPS charger and control module DC 24 V, 40 A	14. 12. 2020	pdf 550.6 kB	Download
---	--------------	-----------------	----------

Additional Information

Disposal; Electrical and electronic equipment, Packaging	V 1.0.0	pdf 265.8 kB	Download
--	---------	-----------------	----------

Environmental Product Compliance

Compliance Search

Environmental Product Compliance 787-915 UPS charger and controller; 24 VDC input voltage; 24 VDC output voltage; 40 A output current	URL	Download
--	-----	----------

Installation Notes

Subject to changes. Please also observe the further product documentation!