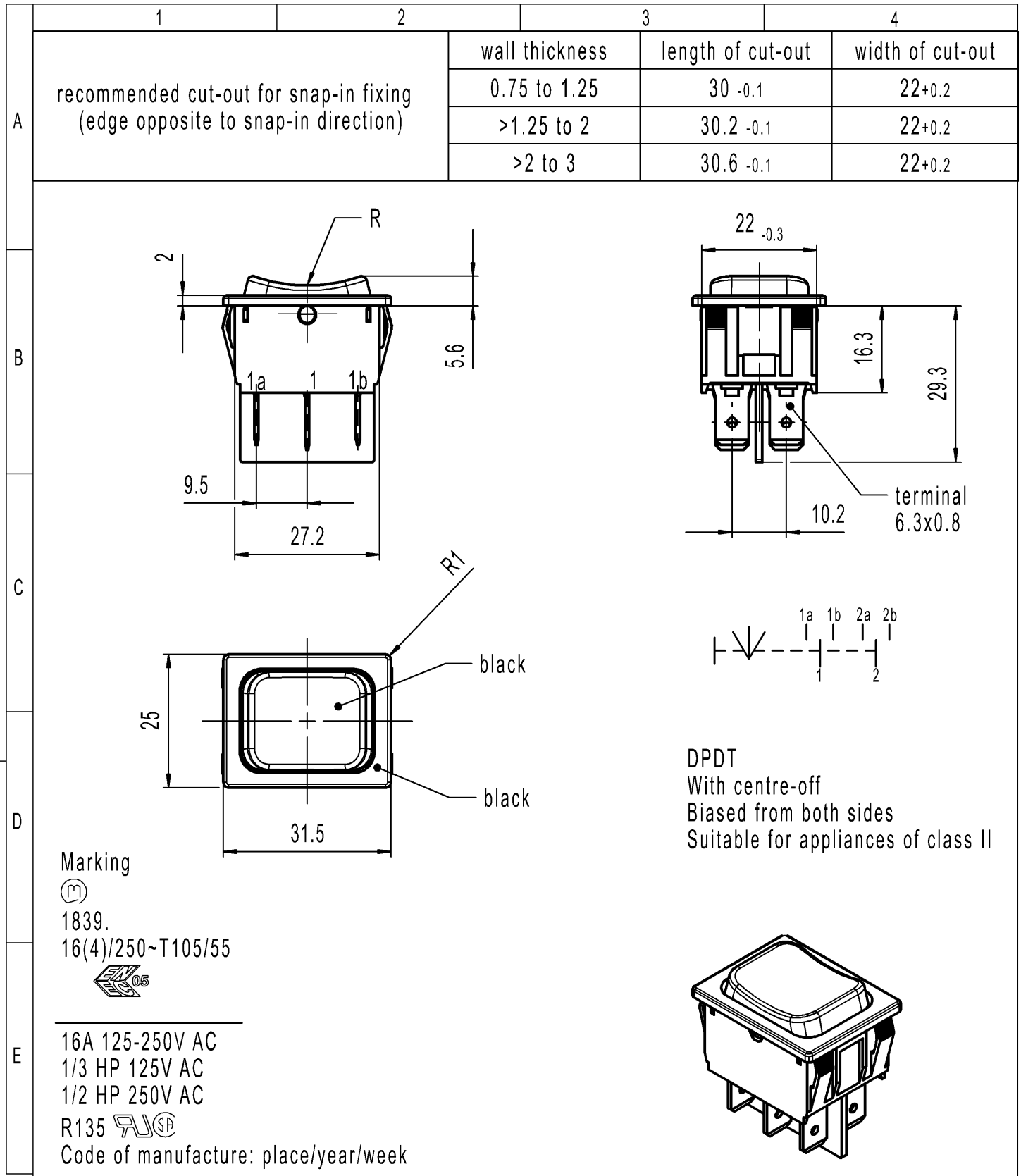


CONFIDENTIAL

VERTRAULICH

THIS DRAWING IS THE EXCLUSIVE PROPERTY OF MARQUARDT. WITHOUT THEIR CONSENT IT MAY NOT BE REPRODUCED OR GIVEN TO THIRD PARTIES.

Alle Rechte bei Marquardt, auch fuer den Fall von Schutzrechtsanmeldungen. Jede Veruegungsbefugnis, wie Kopier- und Weitergaberecht, bei uns.



Marking

1839.
 16(4)/250~T105/55



16A 125-250V AC
 1/3 HP 125V AC
 1/2 HP 250V AC

R135

Code of manufacture: place/year/week

| | | | | |
|----------------------------|-----------------------------------|-----------------------|--------------------------|--|
| - | - | - | 1839.3412-XX | |
| Figure | Type | Customer Part No. | Art.No.-PI | |
| Shape and location | Angle $\pm 2^\circ$ | Sheet 01 | Ident. K | |
| | Edge tolerance | Length | Document number 18393412 | |
| | | Radii | Index b | |
| | | Format DIN A4 | Appliance Switch | |
| | | Projection | | |
| Scale 1:1 | All dimensions are in millimetres | | | |
| b 141196 | 2022-06-14 | System NX V1899 | | |
| a 64508 | 2009-08-27 | Replacement of | | |
| 29512 | 2000-05-10 | Zg.gl.Nr.v.10.05.2000 | | |
| Index MEC-No. | Date (YYYY-MM-DD) | Edited by | | |