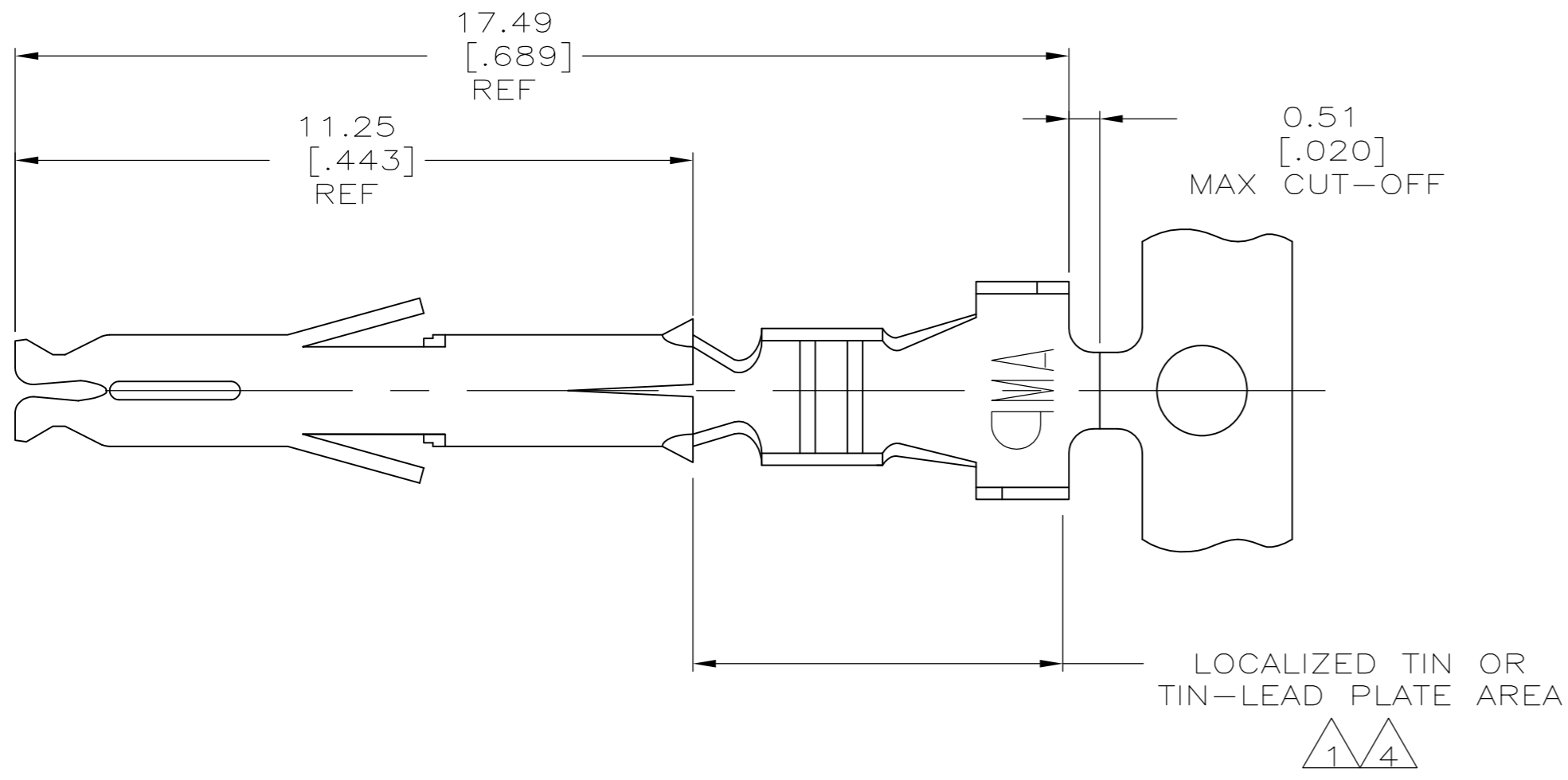
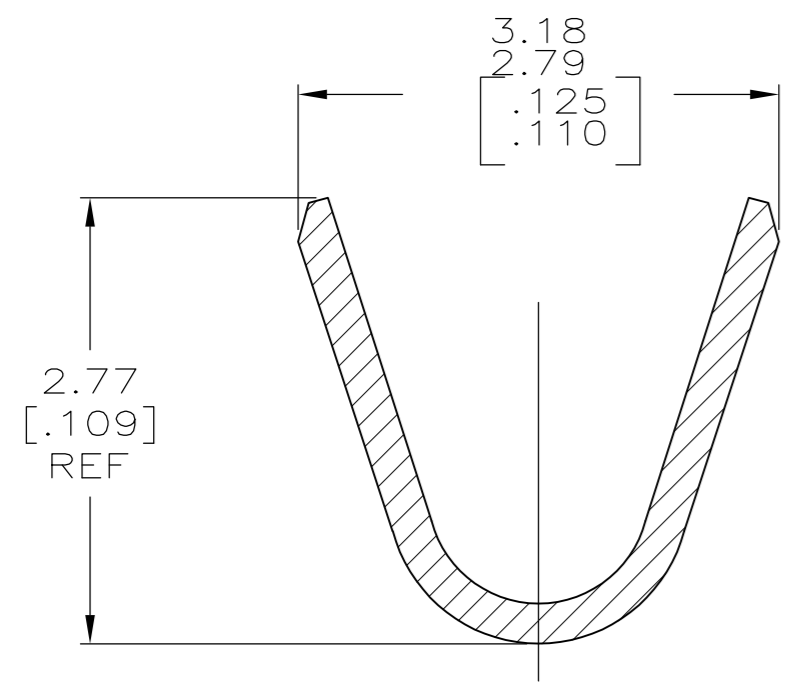
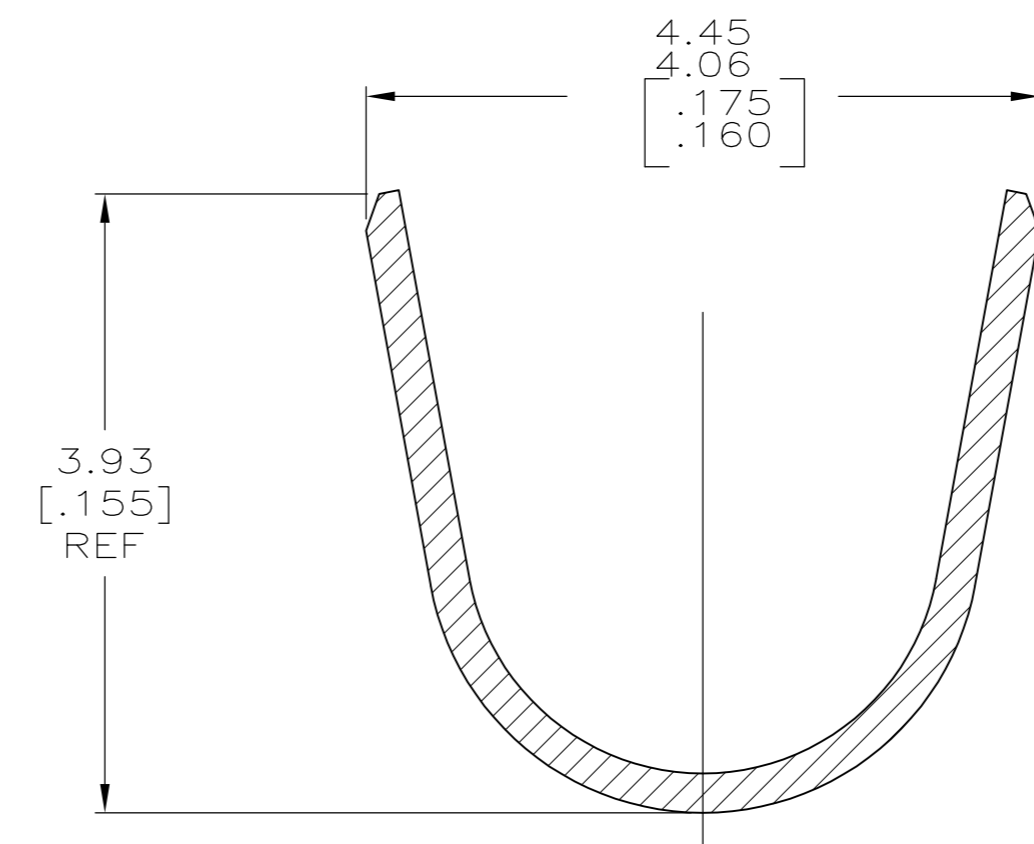
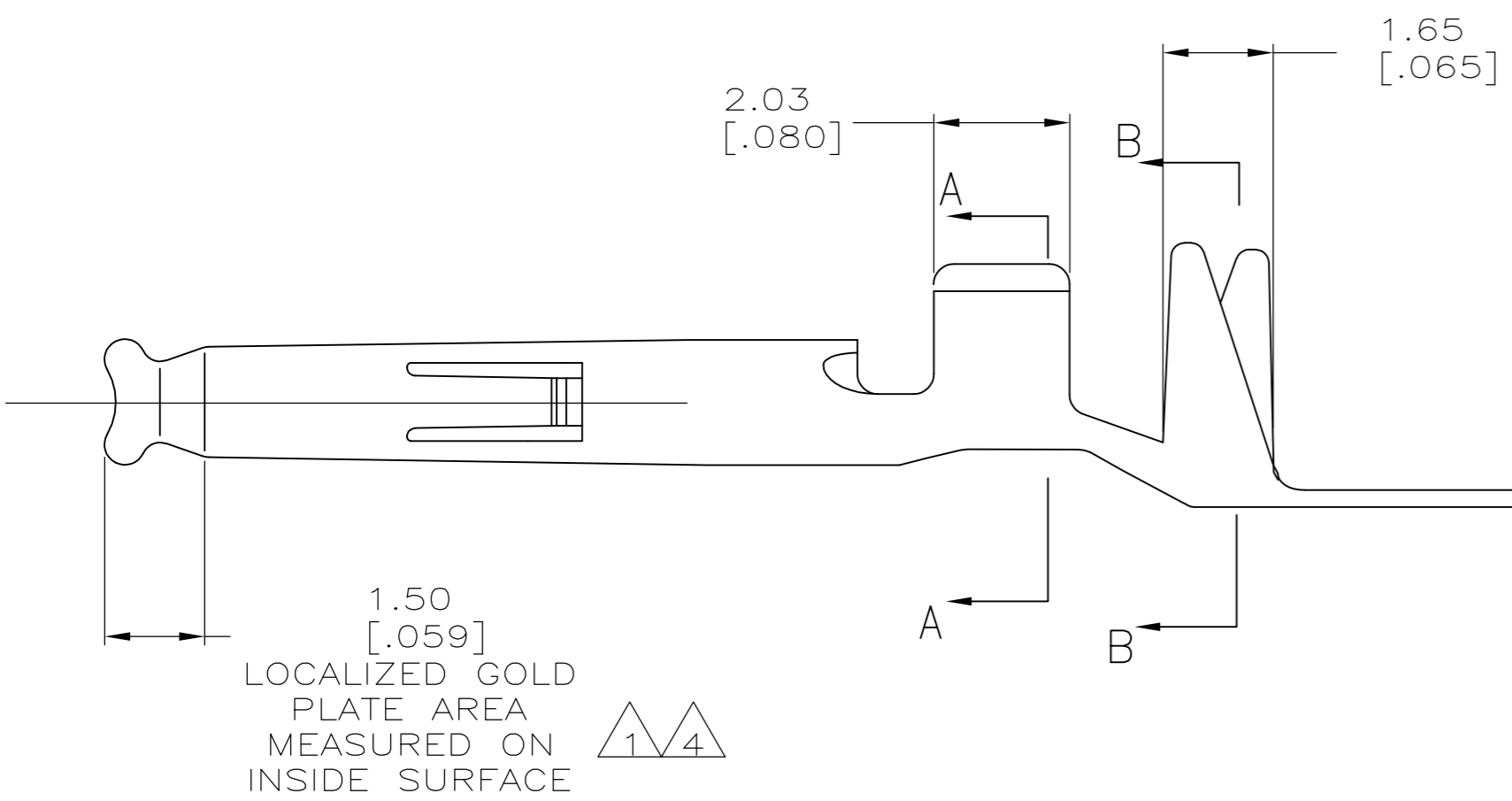


THIS DRAWING IS UNPUBLISHED. RELEASED FOR PUBLICATION
 © COPYRIGHT - By - ALL RIGHTS RESERVED.

LOC		DIST		REVISIONS			
P	LTR	DESCRIPTION		DATE	DWN	APVD	
CM	00	D1	REVISED PER ECO-11-004820	11MAR11	RK	HMR	



- 1. 0.00076 [.000030] MIN GOLD PER IN LOCALIZED GOLD PLATE AREA AND 0.00254-0.00635 [.000100-.000250] BRIGHT TIN-LEAD PER IN LOCALIZED TIN-LEAD PLATE AREA OVER 0.00127 [.000050] MIN NICKEL.
- 2. WIRE RANGE: 0.5-1.4MM² (20-16 AWG).
- 3. INSULATION RANGE: 2.01-3.20[.079-.126] DIA.
- 4. 0.00076 [.000030] MIN GOLD PER IN LOCALIZED GOLD PLATE AREA AND 0.00254-0.00635 [.000100-.000250] MATTE TIN IN LOCALIZED TIN PLATE AREA OVER 0.00127 [.000050] MIN NICKEL.



FINISH	MATERIAL	PART NUMBER
4	0.20 [.008] PH BRZ	1-794407-1
4	0.20 [.008] BRASS	1-794407-0
1	0.25 [.010] PHOS BRONZE	794407-6
PRE-TIN	0.25 [.010] PHOS BRONZE	794407-4
1	0.25 [.010] BRASS	794407-3
PRE-TIN	0.25 [.010] BRASS	794407-1

THIS DRAWING IS A CONTROLLED DOCUMENT.

DWN S. HOOVER 10JAN03	TE Connectivity
CHK C. JONES 10JAN03	
APVD C. JONES 10JAN03	
PRODUCT SPEC C. JONES	
APPLICATION SPEC	NAME
MATERIAL	WEIGHT
FINISH	SCALE 10:1
CUSTOMER DRAWING	SHEET 1 OF 1
	REV D1

SOCKET, MINI UNIVERSAL MATE-N-LOK(TM)

SIZE A2 CAGE CODE 00779 DRAWING NO C=794407 RESTRICTED TO

