

Data sheet Product SK 129 63,5 STSB

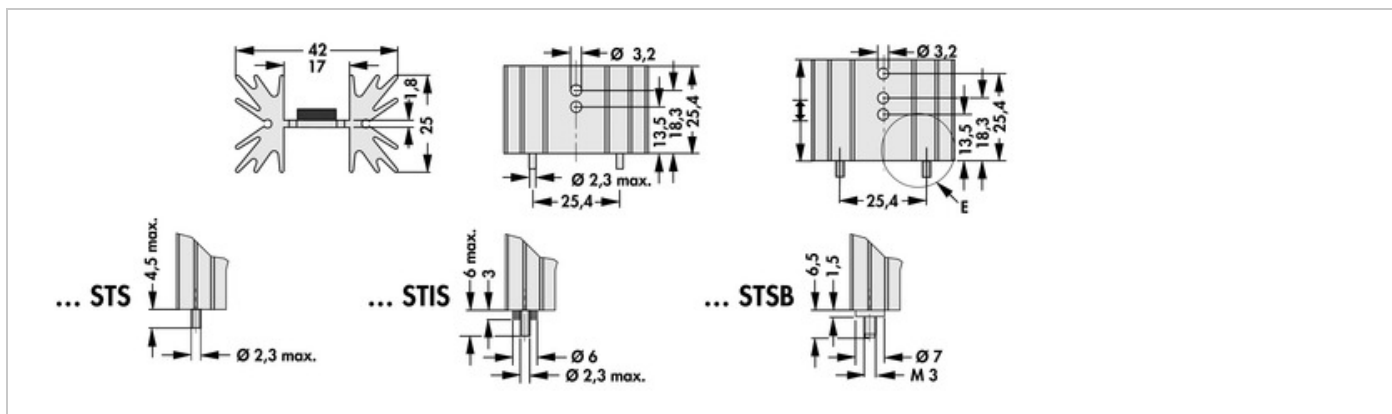


Profile heatsinks and liquid coolers > Extruded heatsinks for PCB mounting
42 x 25 mm, for semiconductor screw-mounting

Features

way of fixation:	transistor screw mounting
width:	42 mm
height:	25 mm
plate thickness:	1.8 mm
length:	63.5 mm
thermal resistance:	4.5 K/W
mounting method:	with threaded bolt M3, brass
drilling pattern:	<ul style="list-style-type: none"> • SOT 32 • TO 220 • TO 3 P
surface:	black anodised

Technical Drawing



Fischer Elektronik GmbH & Co. KG
DEUTSCHLAND • GERMANY • ALLEMAGNE

Nottebohmstraße 28
58511 Lüdenscheid

Telefon +49 2351 435-0
Telefax +49 2351 45754

info@fischerelektronik.de
www.fischerelektronik.de