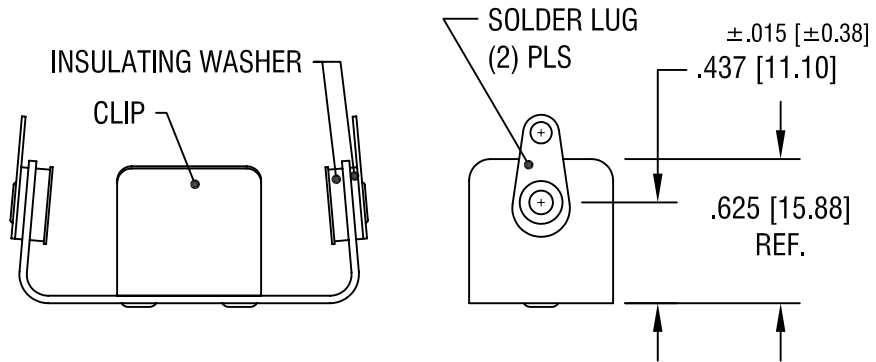
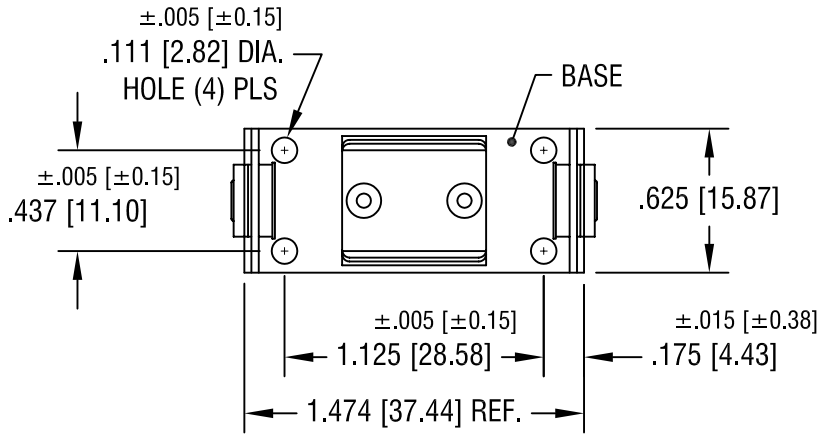
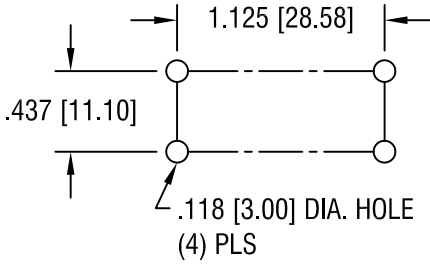


THIS DOCUMENT IS THE PROPERTY OF KEYSTONE ELECTRONICS CORP. AND SHALL NOT BE REPRODUCED, DISTRIBUTED OR USED AS A BASIS FOR MANUFACTURE WITHOUT PRIOR WRITTEN PERMISSION FROM KEYSTONE ELECTRONICS CORP.

MOUNTING DETAIL



NOTES:

- 1. BASE: MAT'L - .032 [.81] TH'K ALUMINUM
- CLIP: MAT'L - .020 [.50] TH'K ALUMINUM
- SOLDER LUG: MAT'L - BRASS
- FINISH - TIN PLATE

KEYSTONE ELECTRONICS CORP.

ASTORIA, N.Y. 11105-2017

PART NAME				BATTERY HOLDER, '2/3 A'			
MATERIAL				AS NOTED			
FINISH		DRN BY		DATE		SCALE	
AS NOTED		BOONE		12.11.81		1.2X	
TOLERANCES		INCH		[MM]		CODE	
DECIMAL		$\pm .010$		[± 0.25]		DWG NO.	
ANGULAR		$\pm 1^\circ$		UNLESS OTHERWISE SPECIFIED		C/M	
APP'D		LN		132			

3.12.07	CHANGE AS PER ECN 07-012	C
DATE	DESCRIPTION	REV.