

U.I. Lapp GmbH	<b>PRODUCT INFORMATION</b>	
	<b>SKINDICHT® SVFK-M</b>	29.11.2013

Economical type  
 Lateral sealing lips fit automatically around various cable dimensions  
 Cable-specific seal dimensions are no longer necessary  
 Tolerance  
 Large opening allows clamping of up to two flat cables



Wide clamping range



Maximum vibration protection



Assembly time



### Application range

For inserting flat cables.  
 Conveyor systems  
 Pumps  
 Lifts  
 Control cabinet manufacturing

### Design

Metric connection thread acc. to EN 50262

### Note

Counter nut to be used: SKINTOP® GMP-GL-M  
 For suitable flat cables, refer to ÖLFLEX® LIFT F for indoor applications or ÖLFLEX® CRANE F for outdoor applications

### Remark

Photographs are not to scale and do not represent detailed images of the respective products.


### Technical Data

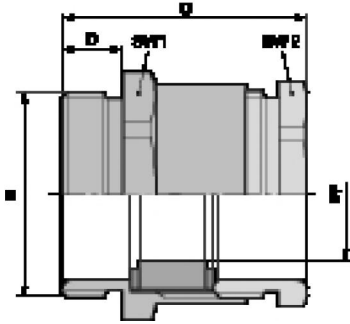
Caution:	The installation dimensions can be found in appendix T21
Colour delivered:	Light grey (RAL 7035)
Material:	Body: Polyamide Special sealing insert: CR
Temperature range:	-30°C to +80°C

Product Management	Document: LAPP_PRO141167EN.pdf	1 / 3
--------------------	--------------------------------	-------



Part number	Article designation / size	Min./max. flat cable width	Min./max. cable thickness (mm)	SW1/SW2 mm	Overall length/ C (mm)	Thread length/ D (mm)
SKINDICHT® SVFK-M						
52107900	SVFK-M 25 x 1,5	- / 15	- - 5	27 / 23	41.0	11.0
52107901	SVFK-M 32 x 1,5	10 / 21	3 - 8	36 / 30	39.0	10.0
52107902	SVFK-M 40 x 1,5	16 / 28	4 - 11,5	42 / 40	44.0	11.0
52107903	SVFK-M 50 x 1,5	26 / 35	4 - 11,5	53 / 50	50,5	11.0
52107904	SVFK-M 50 x 1,5	30 / 40	5 - 12	60 / 55	53,5	11.0
52107905	SVFK-M 63 x 1,5	36 / 45	5 - 12	65 / 60	54,5	11.0

U.I. Lapp GmbH	<b>PRODUCT INFORMATION</b>	
	<b>SKINDICHT® SVFK-M</b>	29.11.2013



Product Management	Document: LAPP_PRO141167EN.pdf	3 / 3
--------------------	--------------------------------	-------