

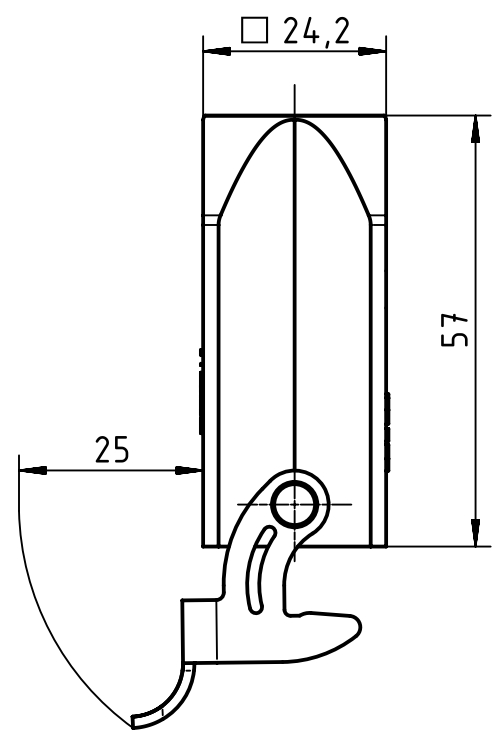
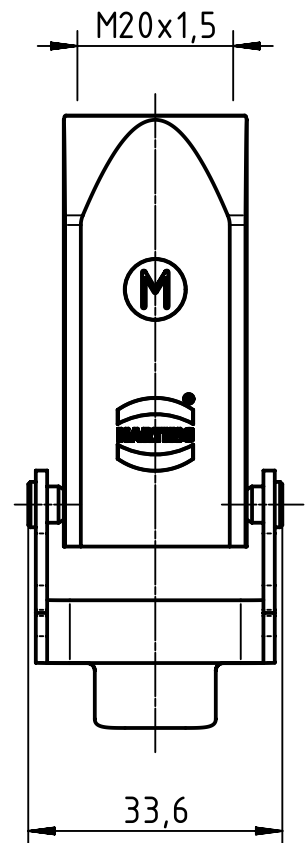
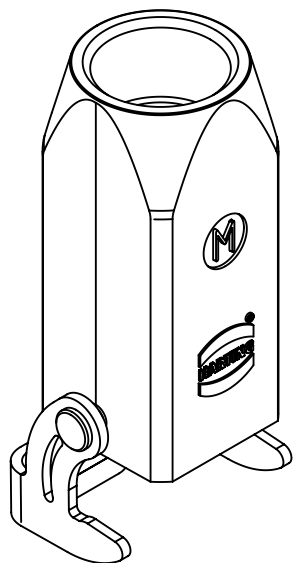
1 2 3 4 5 6


A

B

C

D



	All rights reserved Department EL PD - DE	All Dimensions in mm Original Size DIN A4		Scale 1:1	Free size tol.		Ref. Sub. TB 19 20 003 1750 v. 16.11.00		
		HARTING Electric GmbH & Co. KG D-32339 Espelkamp	Created by SPREENB	Inspected by BERGHORN	Standardisation TIEMANNA	Date 2013-06-13	State Final Release		Doc-Key / ECM-Nr. 100540974/UGD/001/A 500000060959
			Title Han A Hood Coupler 1 Lever M20				Rev. A		
			Type TB		Number 19 20 003 1750			Page 1/1	