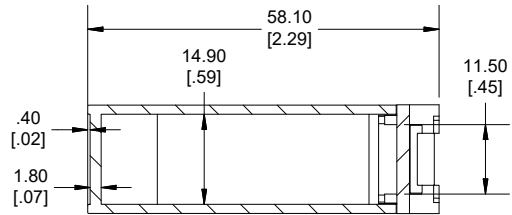
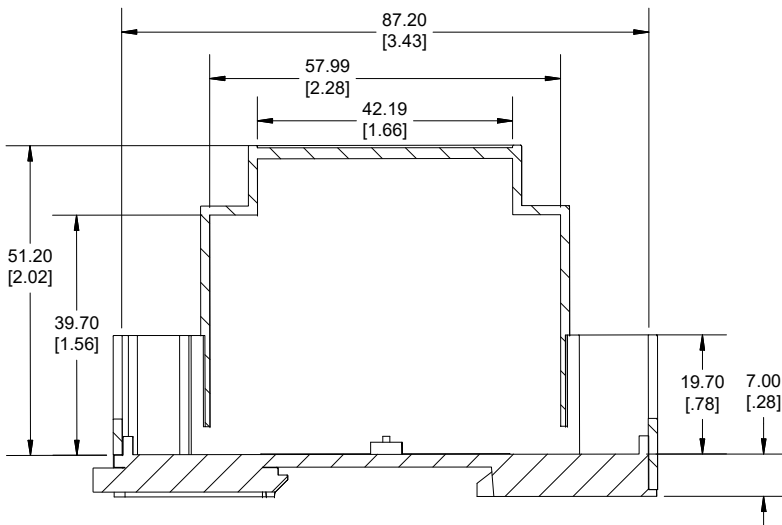
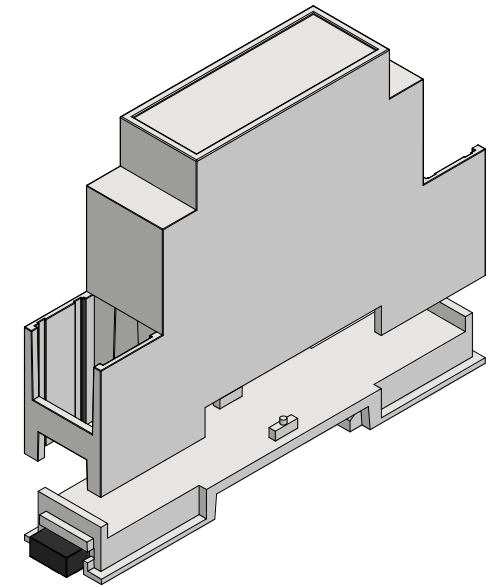


**TOP VIEW**



**SECTION B-B  
END VIEW**



**SECTION A-A  
SIDE VIEW**

Enclosures can be Factory Modified (Milling, Drilling, Printing etc.)  
 Contact Factory (modshop@hammfg.com) for quotes  
 Solid models of this enclosure available in .stp or .x\_t  
 (Part number and text placement/orientation on our products are subject to change,  
 we do not recommend using them as a locating reference for modification purposes)

NOTE	
Purchased enclosure includes base, cover and din clip. Cover and base made from PPO.	

PART NUMBERS	
1597DIN	
Enclosure grey Module 1	1597DIN1MC53
ACCESSORIES	
BREAD BOARD	1597D4MADP
DIN CLIP FOR 1M WITH SPRING	1597DINCLIP1M

**HAMMOND  
MANUFACTURING®**  
**1597DIN1MC53**  
[www.hammondmfg.com](http://www.hammondmfg.com)

TERMINAL COVER  
DRAWINGS ARE  
AVAILABLE

Dimensions:  
mm  
[inches]