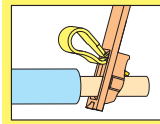


TOPJOB® Rail-Mounted Terminal Blocks 16 (25 "f-st") mm²/AWG 4 Series 2016

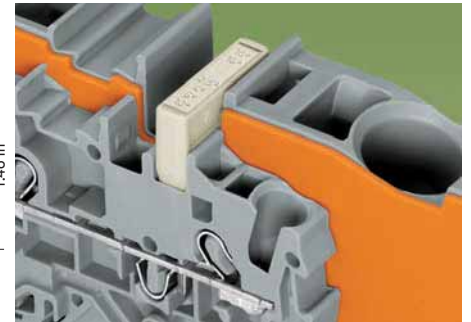
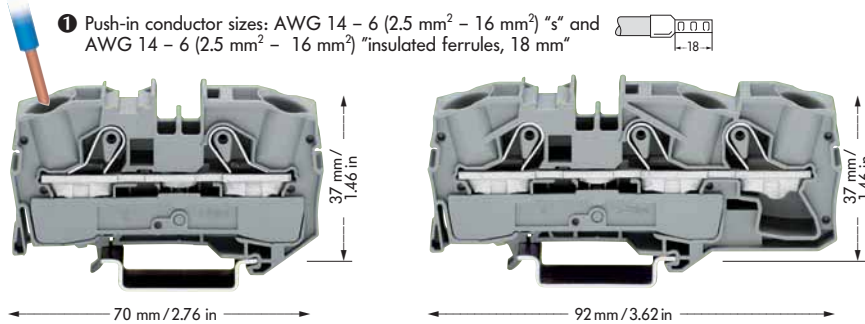


1
11

0.5 – 16 (25 "f-st") mm ² ① 800 V/8 kV/3 76 A	AWG 20 – 4 600 V, 85 A ② 600 V, 85 A ③	0.5 – 16 (25 "f-st") mm ² ① 800 V/8 kV/3 76 A	AWG 20 – 4 600 V, 85 A ② 600 V, 85 A ③
Terminal block width 12 mm / 0.472 in 18 – 20 mm / 0.75 in		Terminal block width 12 mm / 0.472 in 18 – 20 mm / 0.75 in	
* CCA LR		* CCA LR	

Commoning with step-down jumpers

Note:
The total current flowing must not exceed the rating of the step-down jumper/push-in type jumper bar.

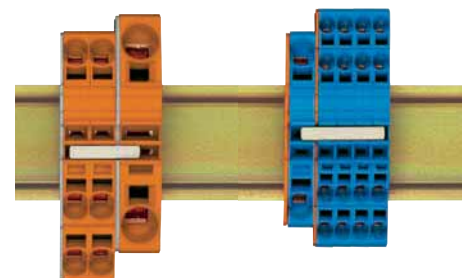


Item No.	Pack.-unit pcs	Item No.	Pack.-unit pcs	Item No.	Pack.-unit pcs
2-conductor through terminal blocks		3-conductor through terminal blocks		Commoning with step-down jumpers	
grey 2016-1201 ②	20	grey 2016-1301 ②	20	An end plate must be applied between the two terminal blocks.	
blue 2016-1204 ②	20	blue 2016-1304 ②	20	Step-down jumper 2016-499 can be used for commoning AWG 8/6 (10/16 mm ²) terminal blocks with AWG 8/10/12/14 (10/6/4/2.5 mm ²) terminal blocks.	
orange 2016-1202 ②	20	orange 2016-1302 ②	20	Step-down jumpers are simply pushed down to full insertion, in the same way as all other push-in type jumper bars.	
2-conductor ground (earth) terminal block		3-conductor ground (earth) terminal block			
green-yellow 2016-1207 ②	20	green-yellow 2016-1307 ②	20		
② Ex e II applications are being prepared		② Ex e II applications are being prepared			
② Suitable for Ex i applications		② Suitable for Ex i applications			
Accessories appropriate marker system WMB/Miniature WSB/Marker strips (see section 14)					
End and intermediate plate, 1 mm / 0.039 in thick		End and intermediate plate, 1 mm / 0.039 in thick		Step-down jumper, light grey, insulated	
orange 2016-1292 100 (4 x 25)		orange 2016-1392 100 (4 x 25)		57 A	
grey 2016-1291 100 (4 x 25)		grey 2016-1391 100 (4 x 25)		2016-499	50 (2 x 25)
Push-in type jumper bars, light grey, insulated, I_N 76 A		Push-in type jumper bars, light grey, insulated, I_N 76 A			
2-way 2016-402 50 (2 x 25)		2-way 2016-402 50 (2 x 25)			
3-way 2016-403 50 (2 x 25)		3-way 2016-403 50 (2 x 25)			
4-way 2016-404 50 (2 x 25)		4-way 2016-404 50 (2 x 25)			
5-way 2016-405 50 (2 x 25)		5-way 2016-405 50 (2 x 25)			
Push-in type jumper bars, light grey, insulated, I_N 76 A		Push-in type jumper bars, light grey, insulated, I_N 76 A			
1 - 3 2016-433 50 (2 x 25)		1 - 3 2016-433 50 (2 x 25)			
1 - 4 2016-434 50 (2 x 25)		1 - 4 2016-434 50 (2 x 25)			
1 - 5 2016-435 50 (2 x 25)		1 - 5 2016-435 50 (2 x 25)			
Protective warning marker, for 5 terminal blocks		Protective warning marker, for 5 terminal blocks			
yellow 2016-115 100 (4 x 25)		yellow 2016-115 100 (4 x 25)			
Test plug adapter, for test plug 4 mm Ø		Test plug adapter, for test plug 4 mm Ø			
2009-174 100 (4 x 25)		2009-174 100 (4 x 25)			
Testing tap, for max. 2.5 mm²		Testing tap, for max. 2.5 mm²			
2009-182 100 (4 x 25)		2009-182 100 (4 x 25)			
Marker strip, white, plain for center marking		Marker strip, white, plain for center marking			
11 mm / 0.433 in wide		11 mm / 0.433 in wide			
50 m 2009-110 1		50 m 2009-110 1			
on roll 300 m 2009-130 1		on roll 300 m 2009-130 1			

Commoning with push-in type jumper bars

Commoning over the open side of the terminal block with end plate allows jumpering over two cross section sizes for 16 mm² and 10 mm² and one cross section size for 6 mm², 4 mm² and 2.5 mm²: e.g. from 16 mm² to 6 mm² (see orange terminal blocks) or from 10 mm² to 4 mm².

Commoning over the closed side of the terminal block with end plate allows jumpering over two cross section sizes: e.g. from 16 mm² to 6 mm² or from 6 mm² to 2.5 mm² (see blue terminal blocks).



* For further approvals with corresponding ratings see section 15.