

**ebm-papst St. Georgen GmbH & Co. KG**

Hermann-Papst-Str. 1
 D-78112 St. Georgen
 Phone +49 (0) 7724 81-0
 Fax +49 (0) 7724 81-1309
 info2@de.ebmpapst.com
 www.ebmpapst.com

Nominal data

Type	9956 L	
Phase		1~
Nominal voltage	VAC	230
Frequency	Hz	50
Speed	min ⁻¹	1850
Power input	W	9.5
Min. ambient temperature	°C	-40
Max. ambient temperature	°C	80
Air flow	m ³ /h	84
Sound power level	B	4.4
Sound pressure level	dB(A)	29

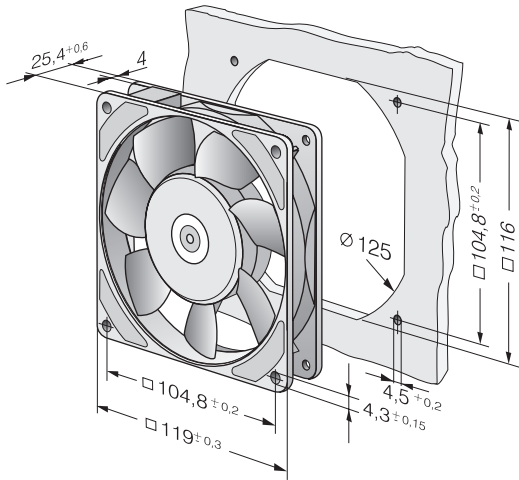
ml = Max. load · me = Max. efficiency · fa = Running at free air · cs = Customer specs · cu = Customer unit
 Subject to alterations



Technical features

Mass	0.325 kg
Dimensions	119 x 119 x 25 mm
Material of impeller	Mineral-reinforced PA plastic
Housing material	Die-cast aluminium
Direction of air flow	Exhaust over struts
Direction of rotation	Left, looking at rotor
Bearing	Ball bearings
Lifetime L10 at 40 °C	57500 h
Lifetime L10 at maximum temperature	22500 h
Connection line	2 flat connectors 2.8 x 0.5 mm Grounding lug for M4
Motor protection	Protected from overload using impedance protection
Approval	VDE, CSA, UL, CE

Product drawing



Charts

