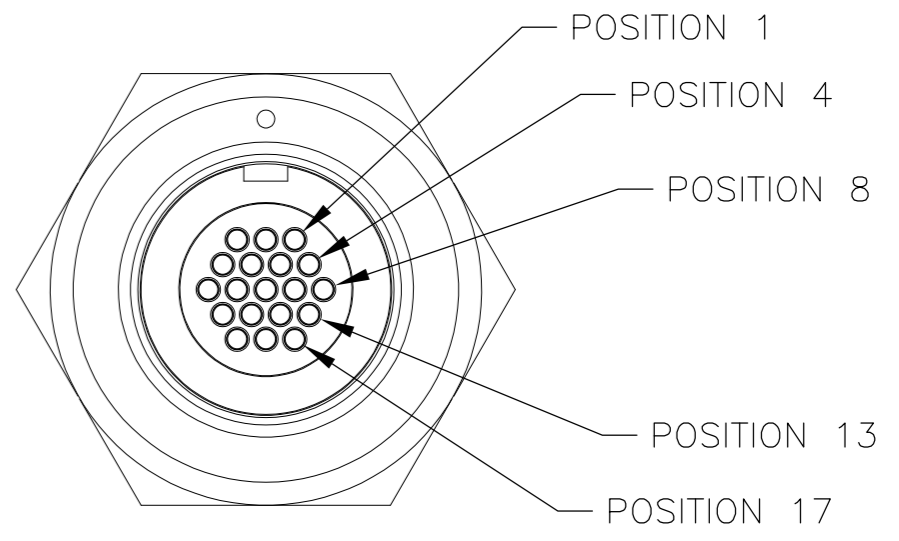
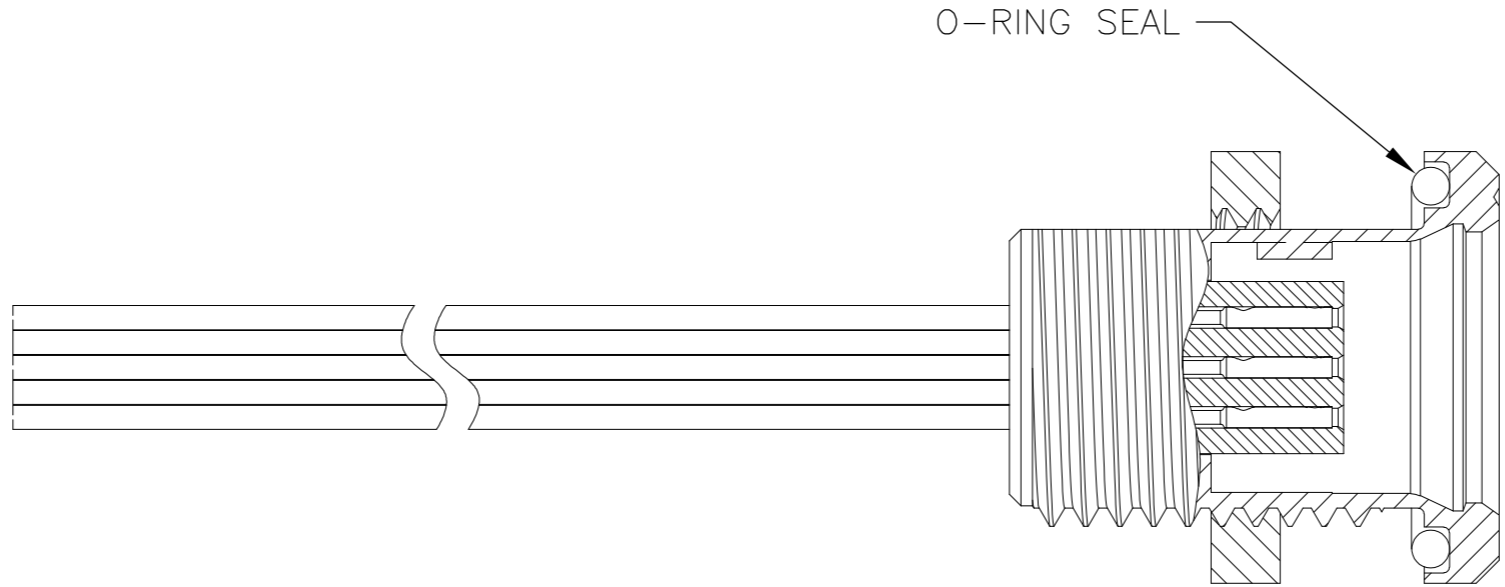
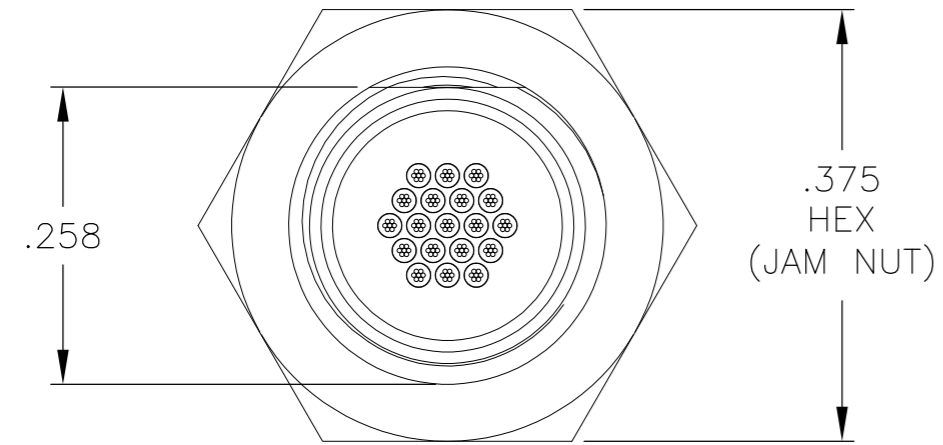
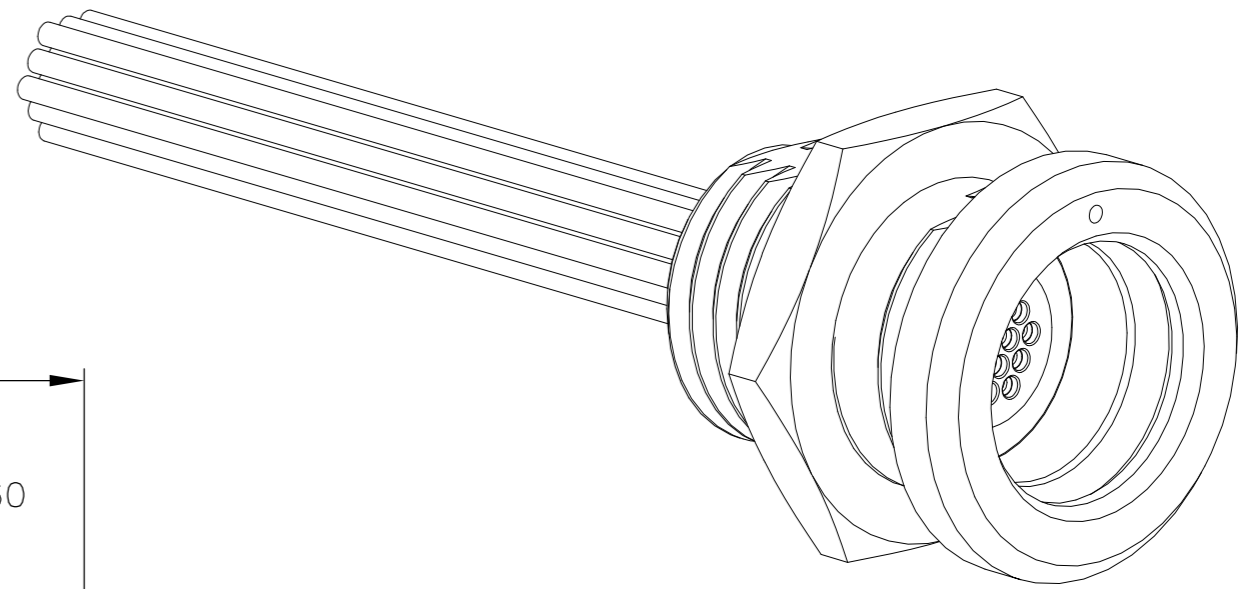
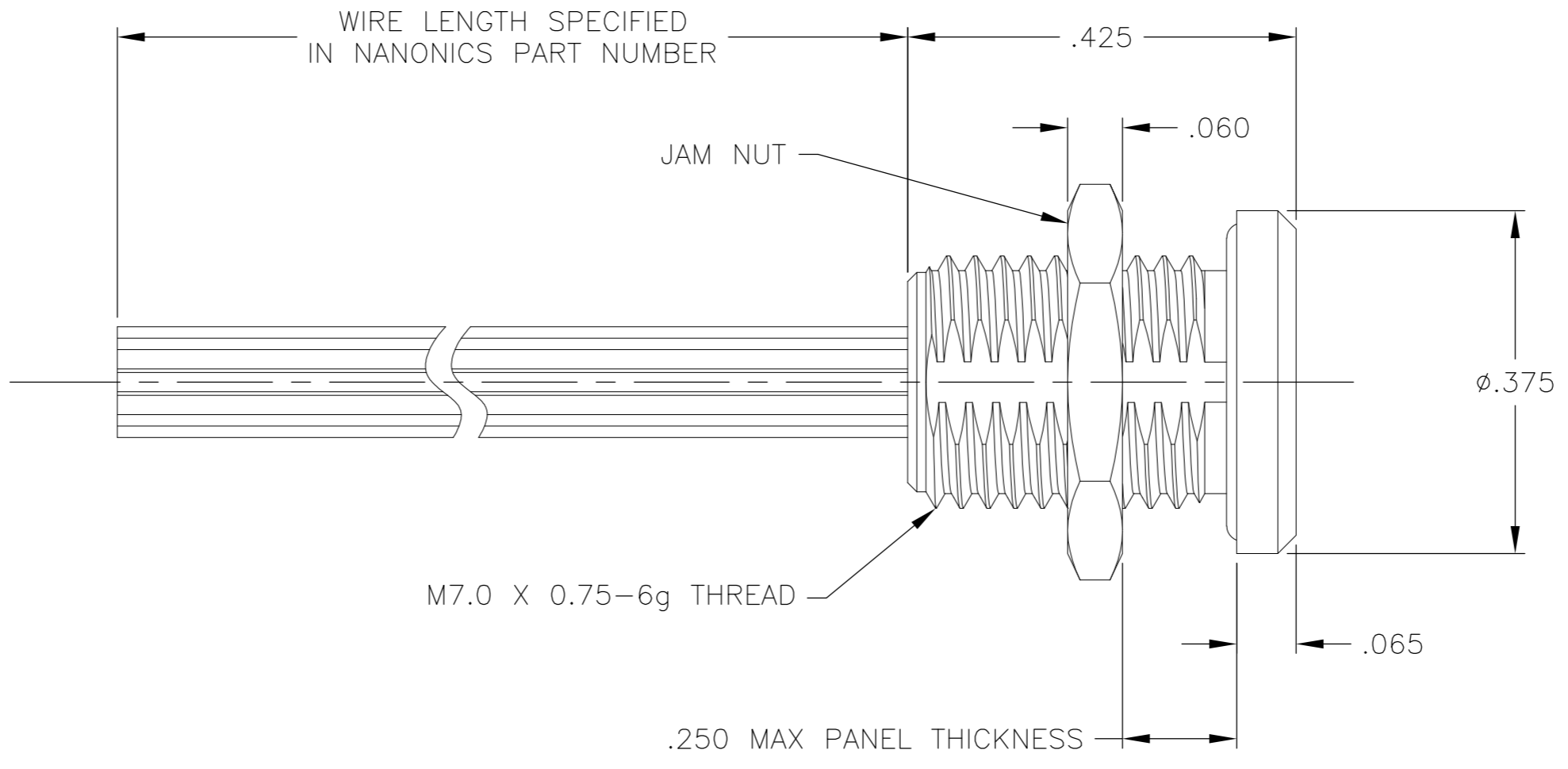
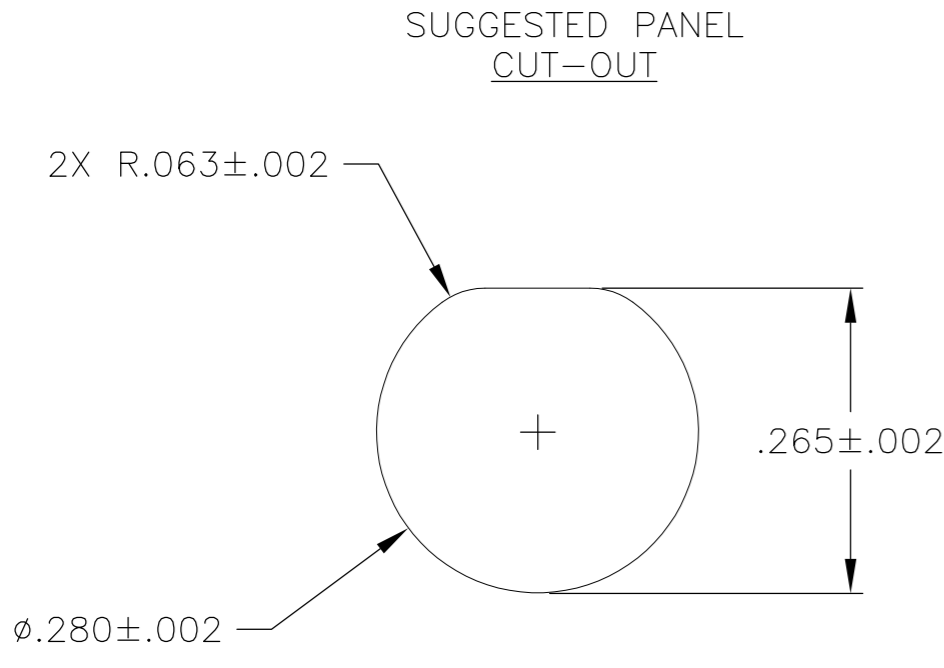


THIS DRAWING IS UNPUBLISHED. RELEASED FOR PUBLICATION  
 © COPYRIGHT - By - ALL RIGHTS RESERVED.

LOC		DIST		REVISIONS			
P	LTR	DESCRIPTION		DATE	DWN	APVD	
G		UPDATE PER ECO-11-013056		23 JUN 11	CAS	MKS	



- 1 CONNECTOR BODY AND JAM NUT MATERIAL: 6061-T6 ALUMINUM, ELECTROLESS NICKEL PLATED PER SAE-AMS-C-26074 OR SAE-AMS-2404E  
 LOCKING RING MATERIAL: BERYLLIUM COPPER, ELECTROLESS NICKEL PLATED PER SAE-AMS-C-26074 OR SAE-AMS-2404E  
 INSULATOR MATERIAL: LIQUID CRYSTAL POLYMER (LCP) PER ASTM D5138 OR POLYPHENYLENE SULFIDE (PPS) PER ASTM D4067  
 O-RING MATERIAL: FLUOROSILICONE
- 2 WIRE TERMINATION: 28 AWG SOLID, 30 AWG STRANDED WIRE OR SMALLER
- 3 LUBRICATE O-RING WITH PARKER SUPER-O-LUBE PRIOR TO INSTALLATION
- 4 THIS DRAWING ALSO IDENTIFIED AS NANONICS 303-0026

THIS DRAWING IS A CONTROLLED DOCUMENT.		DWN	M. STORRY	5 MAY 99		TE Connectivity						
DIMENSIONS: INCHES		CHK	E. PAULUS	7 MAY 99		NAME						
		APVD	S. KAIN	26 JAN 00		PRODUCT SPEC						
TOLERANCES UNLESS OTHERWISE SPECIFIED:		APPLICATION SPEC				RECEPTACLE ASSEMBLY, CIRCULAR, FLUSH MOUNT, QUICK DISCONNECT, METAL, 19 POSITION						
MATERIAL SEE NOTES		FINISH SEE NOTES			SIZE	A2	CAGE CODE	OPJN9	DRAWING NO	C=1589058	RESTRICTED TO	-
CUSTOMER DRAWING		WEIGHT		-	SCALE	6:1	SHEET	1 of 1	REV	G		