

# 2J672B

(Datasheet)

<b>Type</b>	Wi-Fi antenna
<b>Frequencies</b>	WIFI / BLUETOOTH (2.4 GHz) WIFI (5.1 - 5.9 GHz)
<b>Mounting</b>	Body Mount
<b>Revision</b>	01



# 1. SPECIFICATION

## 1.1. Electrical Specifications

Frequencies	WIFI / BLUETOOTH (2.4 GHz) WIFI (5.1 - 5.9 GHz)
Impedance	50 Ohms
Polarization	Horizontal
Gain	5 dBi max. at 2,4GHz; 2dBi at 5,8GHz
VSWR	<2:1
Operating temperature	-40°C to +85°C

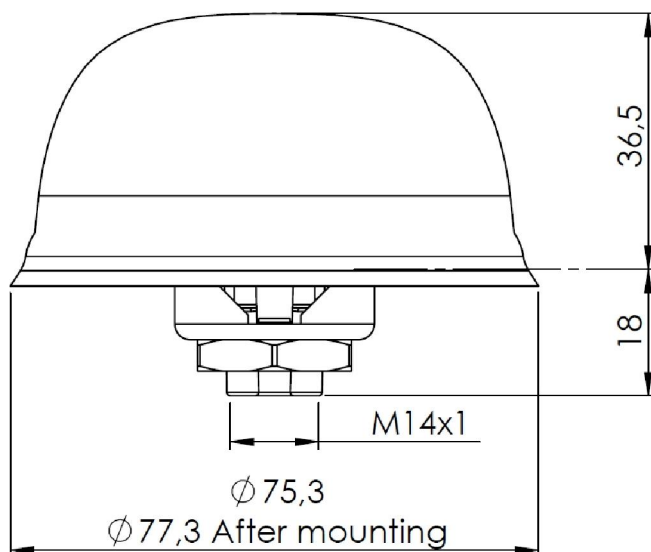
## 1.2. Connection Specifications

Connector type: SMA male  
 Cable: RG174U  
 Cable length: 250cm

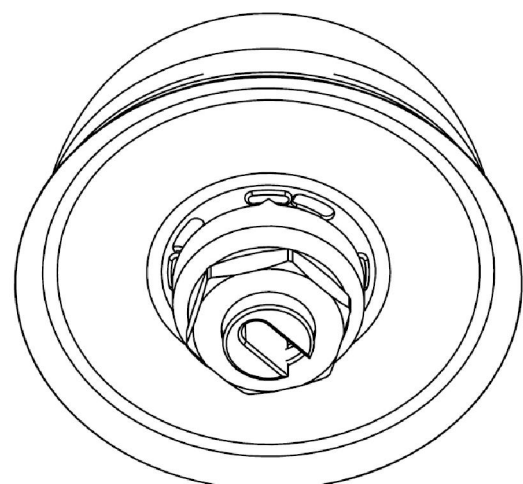
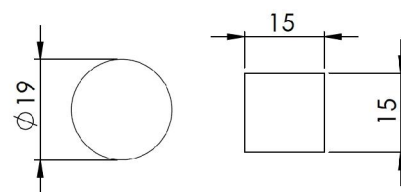
For different cable length and cable type or connectors please ask our sales team.

## 1.3. Mechanical Specifications and Dimensions

Material: Lid: ABS / Base: Zamak / Gasket: TPE  
 Max. dimensions: 77.3mm x 36.5mm (after mounting)  
 Weight: 154 g 'counted with default connection'  
 Colour: Black (for different colours please ask our sales team)



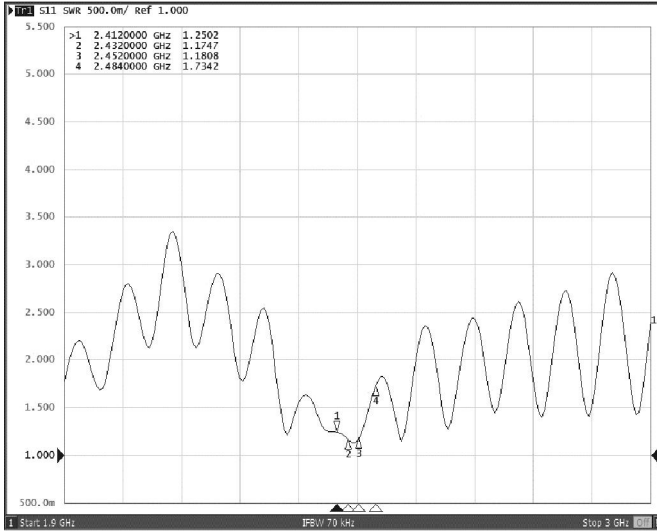
Mounting holes



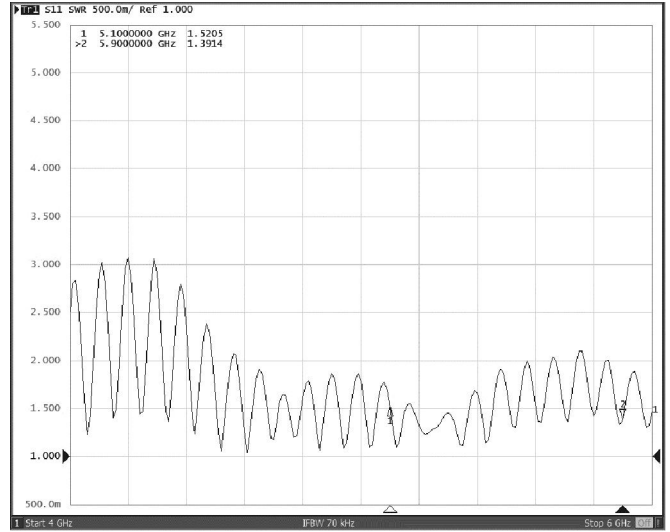
## 2. MEASUREMENT

Tested with 1m cable length on 30x30cm ground plane

**VSWR (Wifi 2,4GHz)**



**VSWR (Wifi 5,1-5,9GHz)**



## 3. IMAGES

