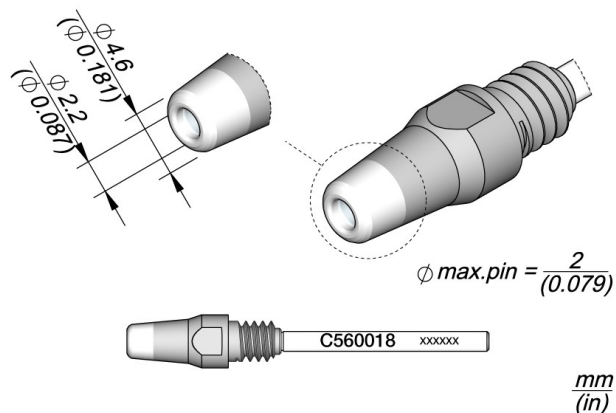


**JBC C560018****Through-hole Desoldering Tip Ø 2.2**

This range features many shapes and sizes to cover different applications.

Ensure a small clearance between the pin and the tip hole for optimal air suction and easy barrel cleaning.

**REFERENCE****C560018****SPECIFICATIONS****Net weight** 0,006 kg (0.01lb)**WEIGHT AND DIMENSIONS****Package** 155 x 55 x 45 mm / 0.02 kg.  
6.10 x 2.17 x 1.77 in / 0.04 lb

Copyright © 2024 JBC Soldering S.L. | [Legal Notice](#) | [Privacy Policy](#) | [Terms and Conditions](#) | [Cookie policy](#) | [Internal Communication](#) | [RSS Feed](#) | [JBC Store](#) | [Contact Us](#)

**CONNECTABLES****Compatible tools****DR560-A****Desoldering Iron**

This website uses own and third-party technical, analysis and advertising cookies to anonymously facilitate browsing, customise the advertising and analyse website use statistics. We deem that by continuing to browse you accept their use.

[Learn more](#)

Manage Preferences

Reject All

Accept All