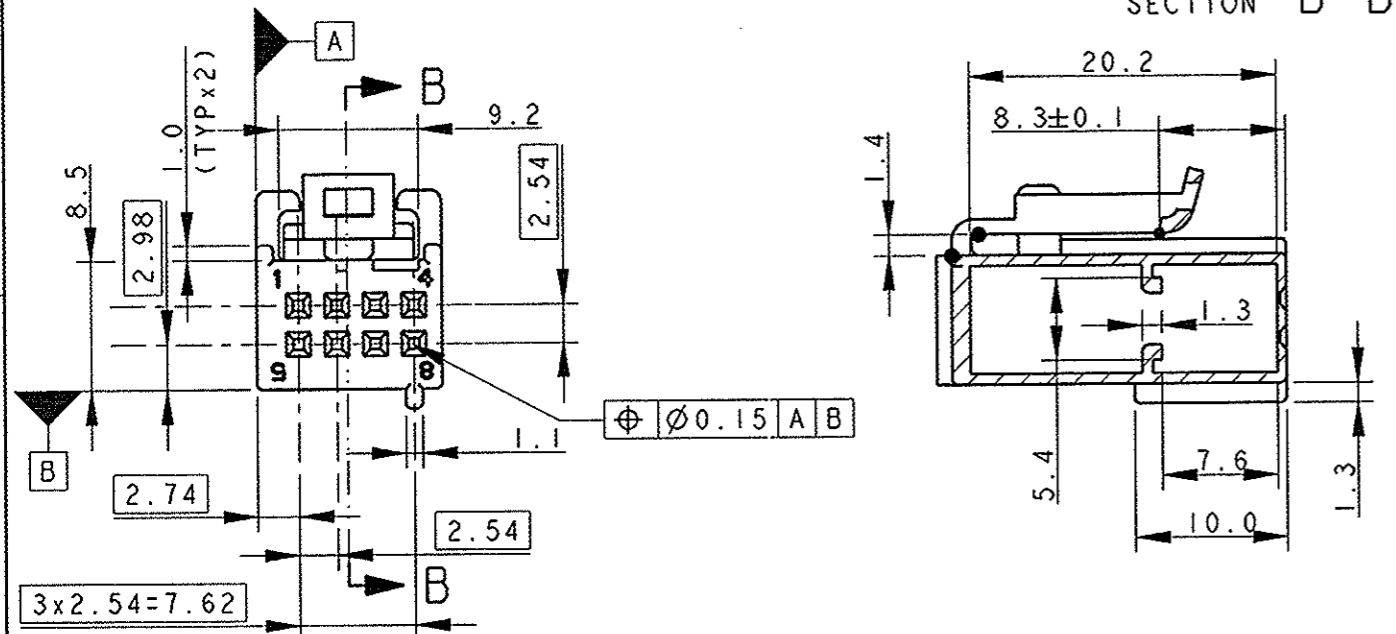
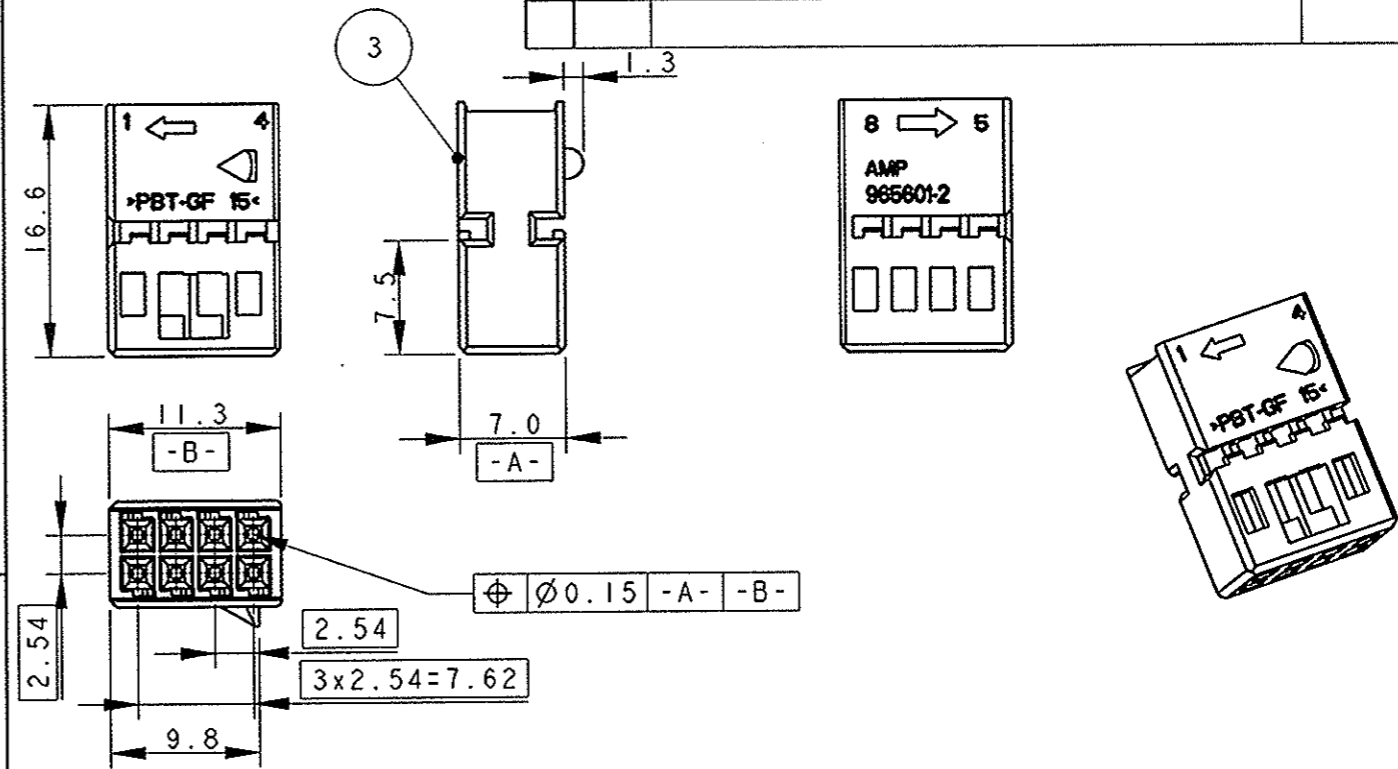


LOC	DIST	P	LTR	DESCRIPTION	DATE	DWN	APVD
1	-			OBSOLETE PARTS 1745000-1 AND -2			
		B		WITH ECR-07-013163	11 JUN 2007	M.P.	R.M.

LOCKING COVER FOR KIT P/N 1745000-3 AS SHOWN

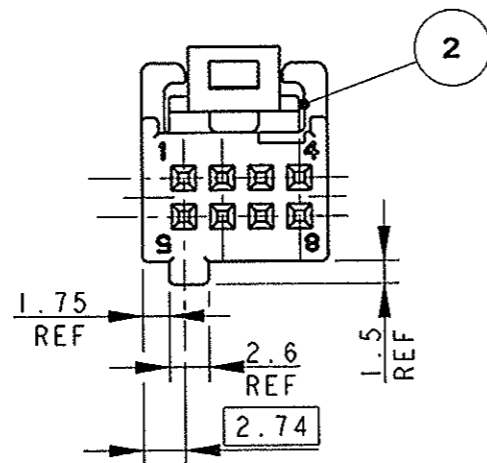
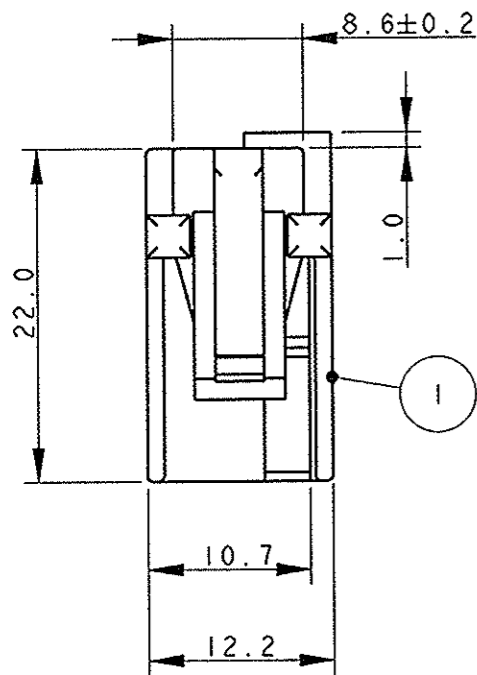


HOUSING P/N 965601-2 FOR KIT P/N 1745000-3 AND -4.



LOCKING COVER FOR KIT P/N 1745000-4

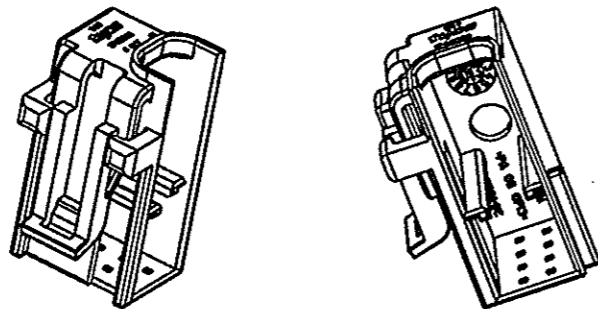
PER NOTE E DIMENSIONI MANCANTI VEDERE COVER PER KIT P/N 1745000-3 (FOR MISSING NOTES AND DIMENSIONS SEE LOCKING COVER FOR KIT P/N 1745000-3)



- 1) CAVITA' ADATTA PER CONTATTO MOS P/N 928999-... E P/N 963715-... (CAVITY SUITABLE FOR MOS CONTACT P/N 928999-... AND P/N 963715-...)
- 2) PER IL DISEGNO DELLA CONTROPARTE VEDERE FOGLIO 2 DI 2 (FOR COUNTERPART DETAIL SEE SHEET 2 OF 2)
- 3) STATO DI FORNITURA: I DUE COMPONENTI SONO VENDUTI IN KIT, IN PARI QUANTITA' NELLA STESSA SCATOLA (SUPPLYING CONDITION: TWO COMPONENTS ARE SOLD IN KIT, SAME QUANTITY IN THE SAME CARTON BOX)

QTY	REV.	ITEM	DESCRIZIONE (DESCRIPTION)	COLORE (COLOUR)	MATERIALE (MATERIAL)
1	1	3	BLOCCHETTO PORTAFEMMINE (SOCKET HOUSING)	NERO (BLACK)	PBT GF
1		2	CORAZZA (LOCKING COVER)	GRIGIO (GRAY)	PA 6.6 GF
	1	1	CORAZZA (LOCKING COVER)	NERO (BLACK)	PA 6.6 GF
-4	-3	ITEM	DESCRIZIONE (DESCRIPTION)	COLORE (COLOUR)	MATERIALE (MATERIAL)
P/N 1745000					

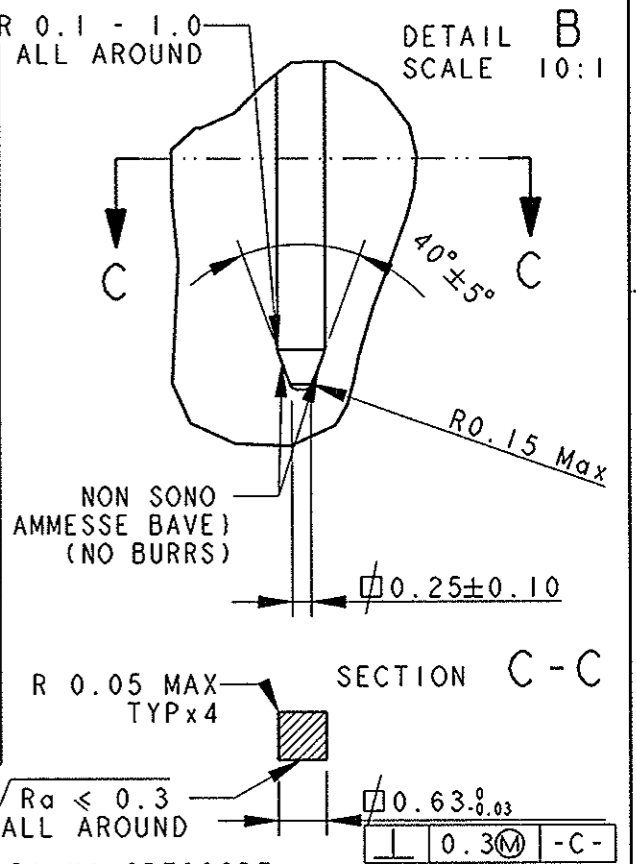
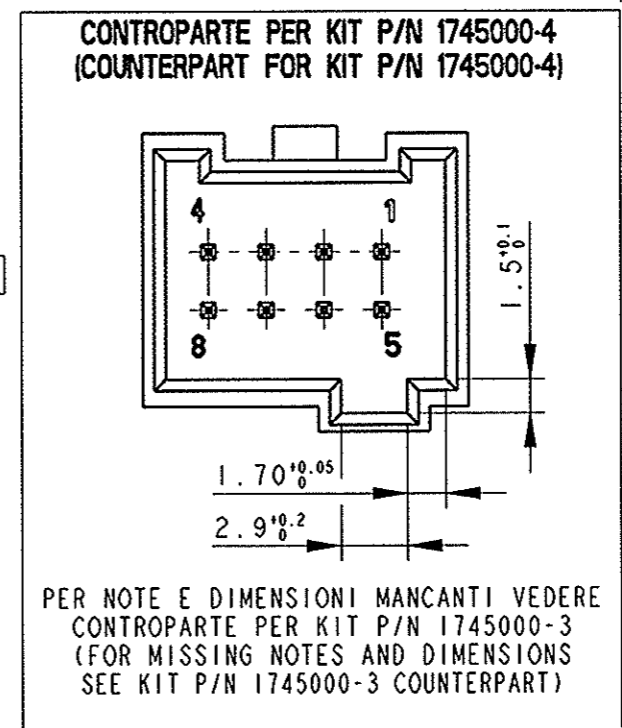
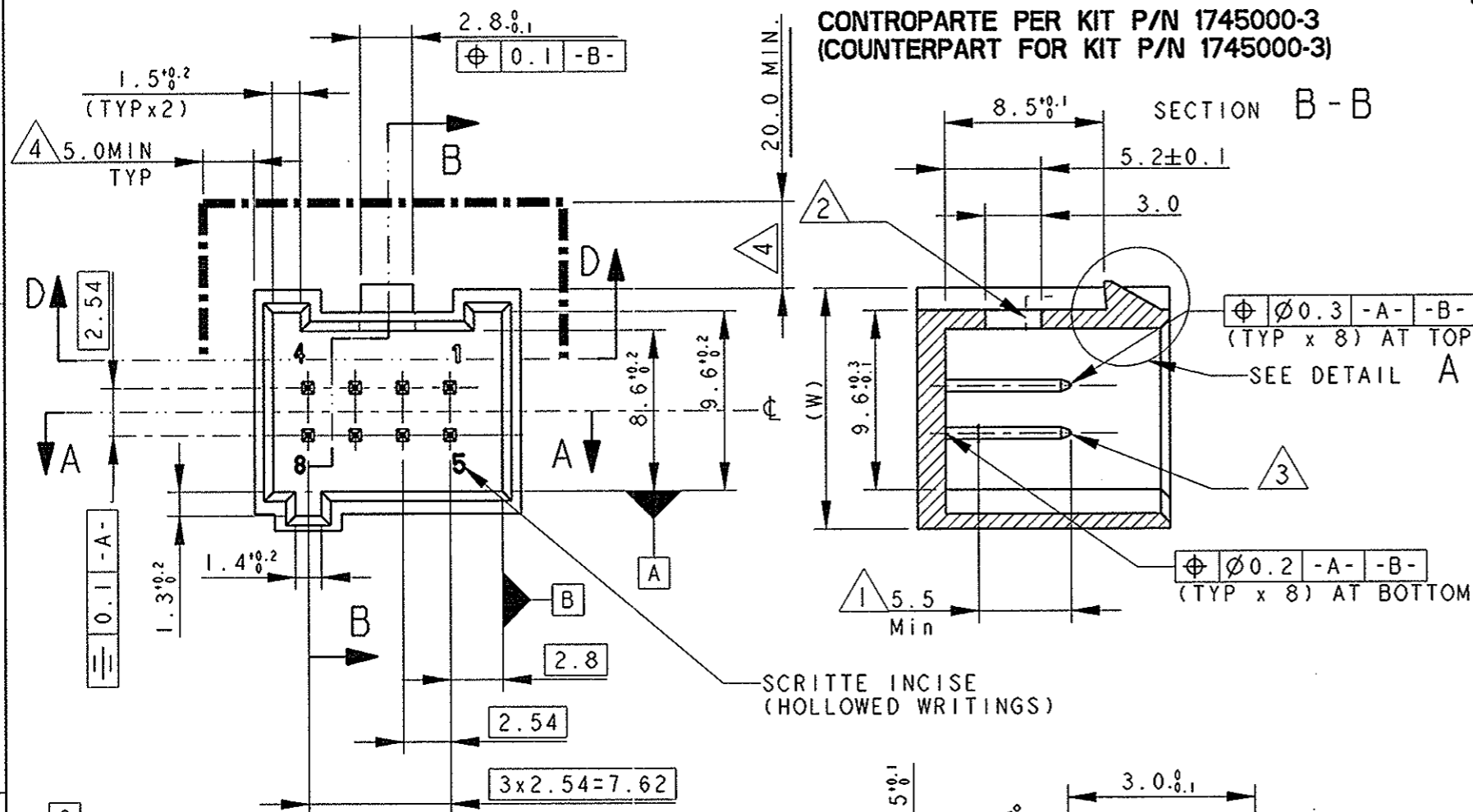
PROPOSAL NO. WAS:
KIT 02-51261



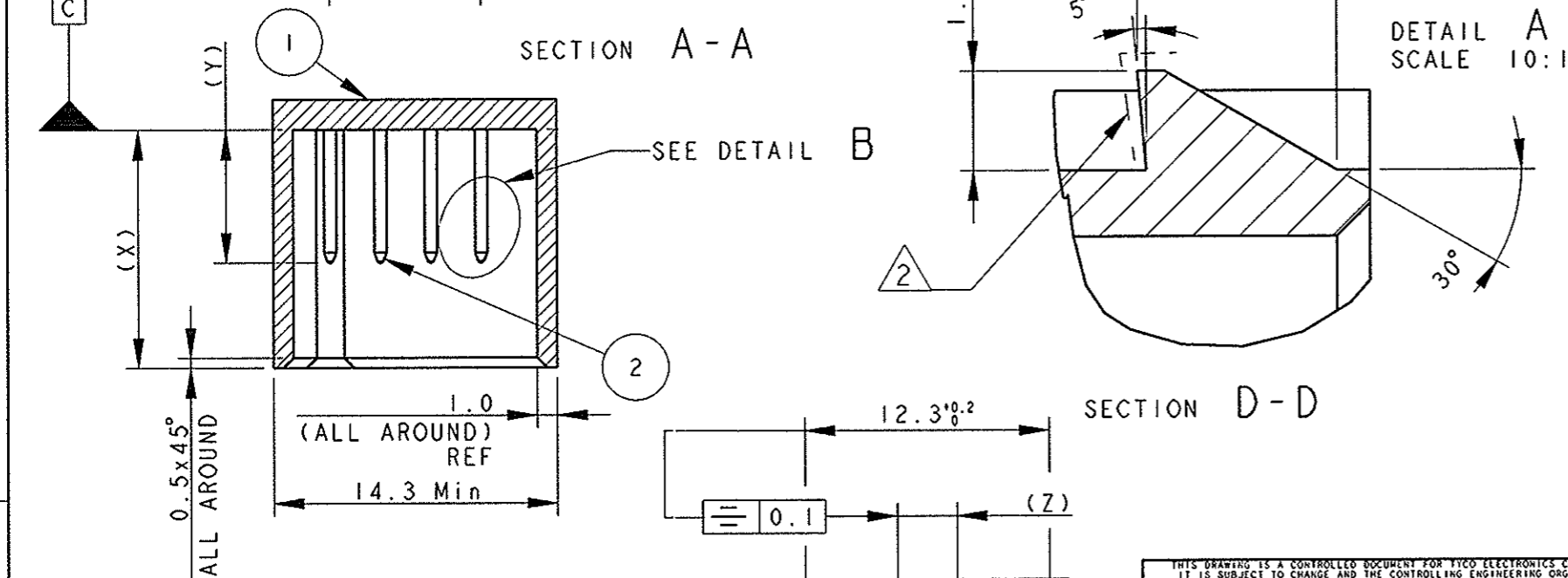
THIS DRAWING IS A CONTROLLED DOCUMENT FOR TYCO ELECTRONICS CORPORATION. IT IS SUBJECT TO CHANGE AND THE CONTROLLING ENGINEERING ORGANIZATION SHOULD BE CONTACTED FOR THE LATEST REVISION.

DIMENSIONS: mm	TOLERANCES UNLESS OTHERWISE SPECIFIED: 0 PLC ± 1 PLC ±0.3 2 PLC ± 3 PLC ± 4 PLC ± ANGLES ±°	MATERIAL VED. TABELLA (SEE TABLE)	FINISH -	DWN M. PALMA	CHK R. MARTINI	APVD A. GENTA	NAME	tyco Electronics	AMP Italia S.p.A. C.so F.lli Cervi 15 Collegno (TO)
				10DEC2002		10DEC2002		SOCKET CONNECTOR, 8 POSITIONS KIT FOR MICRO QUADLOK SYSTEM CONTACT	
				PRODUCT SPEC 108-20245		APPLICATION SPEC 114-18021		SIZE A3	
				WEIGHT -		CAGE CODE 00779		DRAWING NO C=1745000	
				CUSTOMER DRAWING		SCALE 3:1		SHEET 1 OF 2	
								REV B	

LOC		DIST		REVISIONS			
1	-	P	LTR	DESCRIPTION	DATE	DWN	APVD
				SEE SHEET 1			



- 1 1-3 μ m Sn CON SOTTOSTRATO DI Ni SPESSORE 1.3-2.2 μ m (1 μ m TO 3 μ m Sn OVER 1.3 μ m TO 2.2 μ m Ni)
- 2 IN QUEST'AREA AMMESSO 0.05 mm MAX DI BAVA (IN THIS AREA 0.05 mm MAX FLASH ADMITTED)
- 3 FORZA DI RITENZIONE DEL SINGOLO CONTATTO 40N min. (SINGLE PIN CONTACT RETENTION FORCE 40N min)
- 4 AREA DA PREVEDERE LIBERA PER UN CORRETTO ACCOPPIAMENTO/ DISACCOPIAMENTO DEL CONNETTORE SULLA DIMA THIS AREA MUST BE FREE FOR A CORRECT CONNECTOR MATING / UNMATING ONTO RELEVANT COUNTERPART.



REF. (REF.)	DIMENSIONI VALIDE PER DIME NUOVE (THESE DIMENSIONS MUST BE CONSIDERED FOR NEW COUNTERPARTS)	DIMENSIONI ACCETTABILI SU DIME ESISTENTI (ACCEPTABLE DIMENSIONS FOR EXISTING COUNTERPARTS)
X	12.0 \pm 0.2	12.5 \pm 0.3
Y	6.7 ^{+0.3} _{-0.1}	8.0 ⁰ _{-0.5}
W	12.9 \pm 0.2	14.4 REF.
Z	3.0 ^{+0.2} ₀	2.5 ^{+0.2} ₀

DIMENSIONS: mm		TOLERANCES UNLESS OTHERWISE SPECIFIED:	
		0 PLC	\pm
		1 PLC	\pm 0.1
		2 PLC	\pm 0.05
		3 PLC	\pm
		4 PLC	\pm
		ANGLES	\pm °
MATERIAL		FINISH	

1	OTTONE (BRASS)	CONTATTO (TAB)	2
----	PA 6.6 CARICATO VETRO (PA 6.6 GLASSFIBER FILLED)	BLOCCHETTO (HOUSING)	1
FINITURA (FINISH)	MATERIALE (MATERIAL)	DESCRIZIONE (DESCRIPTION)	ITEM No.

DWN	M. PALMA	13DEC2002		AMP Italia S.p.A.	
CHK	R. MARTINI	13DEC2002		C.so F.lli Cervi 15 Collegno (TO)	
APVD	A. GENTA	13DEC2002		NAME	
PRODUCT SPEC	-			SOCKET CONNECTOR, 8 POSITIONS KIT FOR MICRO QUADLOK SYSTEM CONTACT	
APPLICATION SPEC	-		SIZE	CAGE CODE	DRAWING NO
WEIGHT	-		A3	00779	C-1745000
CUSTOMER DRAWING			SCALE	SHEET	REV
			3:1	2 OF 2	B