

1-1414167-0 ✓ ACTIVE



## Power Relay F

TE Internal #: 1-1414167-0

General Purpose Power Relay, DC, Monostable, 1 Form C SPDT-CO, 20 A Contact Rating, 24 VDC Coil Voltage, 24 VDC Contact Voltage, Power Relay F

[View on TE.com >](#)

Relays & Contactors > Electromechanical Relays



Relay & Contactor Type: **General Purpose Power Relay**

Coil Magnetic System: **Monostable**

Contact Arrangement: **1 Form C SPDT-CO**

Contact Current Class: **30 – 50 A**

Current Type: **DC**

## Features

### Product Type Features

Relay & Contactor Type	General Purpose Power Relay
------------------------	-----------------------------

### Configuration Features

Contact Arrangement	1 Form C SPDT-CO
Coil Special Features	Diode (Cathode 86)

### Electrical Characteristics

Contact Limiting Short-Time Current	240 A
Contact Limiting Continuous Current	60 A
Contact Switching Load (Min)	1000mA @ 5VDC
Insulation Initial Dielectric Between Open Contacts	500 Vrms
Contact Limiting Making Current	120 A
Contact Current Rating	20 A
Coil Voltage Rating	24 VDC
Contact Voltage Rating	24 VDC
Coil Resistance	268 $\Omega$
Contact Limiting Breaking Current	20 A
Coil Power Rating DC	2.1 W
Insulation Initial Dielectric Between Contacts & Coil	500 Vrms

### Body Features



Product Weight	35 g[1.2 oz]
----------------	--------------

Enclosure Type	Dust Protected
----------------	----------------

### Contact Features

Contact Material	Silver Alloy
------------------	--------------

### Termination Features

Main Termination & Connection Type	Quick Connect Terminals
------------------------------------	-------------------------

Coil Termination & Connection Type	Quick Connect Terminals
------------------------------------	-------------------------

### Mechanical Attachment

Product Mount Type	Socket
--------------------	--------

### Dimensions

Product Width	25.9 mm[1.02 in]
---------------	------------------

Product Length	25.9 mm[1.02 in]
----------------	------------------

Product Height	24.9 mm[.98 in]
----------------	-----------------

### Usage Conditions

Environmental Category of Protection	RTI
--------------------------------------	-----

Environmental Ambient Temperature (Max)	125 °C[257 °F]
---	----------------

### Operation/Application

Coil Magnetic System	Monostable
----------------------	------------

Current Type	DC
--------------	----

### Other

Environmental Ambient Temperature Class	105 – 125 °C
---	--------------

Contact Current Class	30 – 50 A
-----------------------	-----------

Height Class (Mechanical)	20 – 25 mm
---------------------------	------------

Length Class (Mechanical)	25 – 30 mm
---------------------------	------------

Width Class (Mechanical)	25 – 30 mm
--------------------------	------------

### Product Compliance

[For compliance documentation, visit the product page on TE.com>](#)

EU RoHS Directive 2011/65/EU	Not Compliant
------------------------------	---------------

EU ELV Directive 2000/53/EC	Compliant with Exemptions
-----------------------------	---------------------------

China RoHS 2 Directive MIIT Order No 32, 2016	Restricted Materials Above Threshold
---	--------------------------------------

EU REACH Regulation (EC) No. 1907/2006	
--	--



Current ECHA Candidate List: JUNE 2024 (241)

Candidate List Declared Against: JUNE 2023 (235)

SVHC > Threshold:

Pb (92.5% in Component part)

**Article Safe Usage Statements:**

Do not eat, drink or smoke when using this product. Wash thoroughly after handling. Recycle if possible and dispose of the article by following all applicable governmental regulations relevant to your geographic location.

Halogen Content

Low Halogen - Br, Cl, F, I < 900 ppm per homogenous material. Also BFR/CFR/PVC Free

Solder Process Capability

Not applicable for solder process capability

**Product Compliance Disclaimer**

This information is provided based on reasonable inquiry of our suppliers and represents our current actual knowledge based on the information they provided. This information is subject to change. The part numbers that TE has identified as EU RoHS compliant have a maximum concentration of 0.1% by weight in homogenous materials for lead, hexavalent chromium, mercury, PBB, PBDE, DBP, BBP, DEHP, DIBP, and 0.01% for cadmium, or qualify for an exemption to these limits as defined in the Annexes of Directive 2011/65/EU (RoHS2). Finished electrical and electronic equipment products will be CE marked as required by Directive 2011/65/EU. Components may not be CE marked. Additionally, the part numbers that TE has identified as EU ELV compliant have a maximum concentration of 0.1% by weight in homogenous materials for lead, hexavalent chromium, and mercury, and 0.01% for cadmium, or qualify for an exemption to these limits as defined in the Annexes of Directive 2000/53/EC (ELV). Regarding the REACH Regulation, the information TE provides on SVHC in articles for this part number is based on the latest European Chemicals Agency (ECHA) 'Guidance on requirements for substances in articles' posted at this URL: <https://echa.europa.eu/guidance-documents/guidance-on-reach>

## Compatible Parts



TE Part # 2383369-1  
V23136A0103X151-SZ-CBOX



TE Part # 1-1904045-1  
V23333Z0001A007-EV-100



TE Part # 1904056-2  
V23134A0007X936-EV-441



TE Part # 4-1904049-7  
V23134A0007X942-EV-590



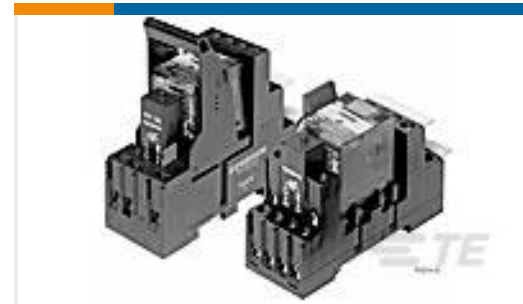
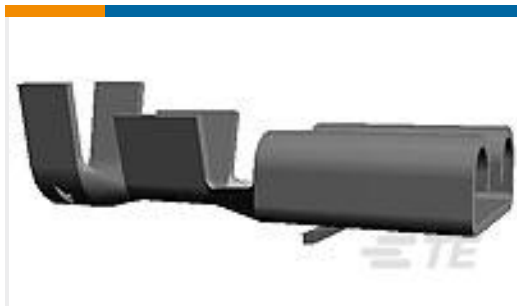
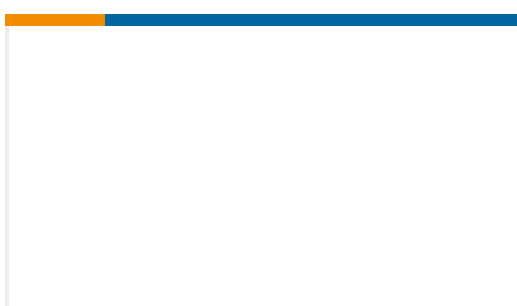
TE Part # 8-1904049-9  
V23134A0007X936-EV-850

Also in the Series | **Power Relay F**



Electromechanical Relays(55)

## Customers Also Bought

TE Part #HDP24-24-14PE  
REC, 14P, BLK, E, 4/12/16, PTE Part #8-1415074-1  
PT2S7LC4TE Part #1-2176507-2  
CJP 200W 4R7 5% LeadTE Part #K1161213  
Battery Disconnecter 35-224-130-R-900TE Part #160811-5  
FF 250 REC 4-6MM2 BR SILVER  
PLATEDTE Part #1-1904045-3  
V23333Z0002A010-EV-100TE Part #K1155270-2  
Act.Protection ES-Evobus 24-63-021  
C4315TE Part #1108784-1  
MDL2-GR.O/U-3TE Part #2-929940-1  
JPT REC 2.8 Contact SWS Au (LP)

## Documents

### Product Drawings

#### CAD Files

Customer View Model

[ENG\\_CVM\\_1-1414167-0\\_S00F.3d\\_igs.zip](#)

English

Customer View Model

[ENG\\_CVM\\_1-1414167-0\\_S00F.3d\\_stp.zip](#)

English



### Customer View Model

[ENG\\_CVM\\_1-1414167-0\\_S00F.2d\\_dxf.zip](#)

English

[3D PDF](#)

English

By downloading the CAD file I accept and agree to the [Terms and Conditions](#) of use.

---

### Datasheets & Catalog Pages

[Automotive Relay Application Notes](#)

English

[Power Relay F4, Mini ISO, Plug-In](#)

English

---

### Product Specifications

[Definitions General Purpose Relays](#)

English