

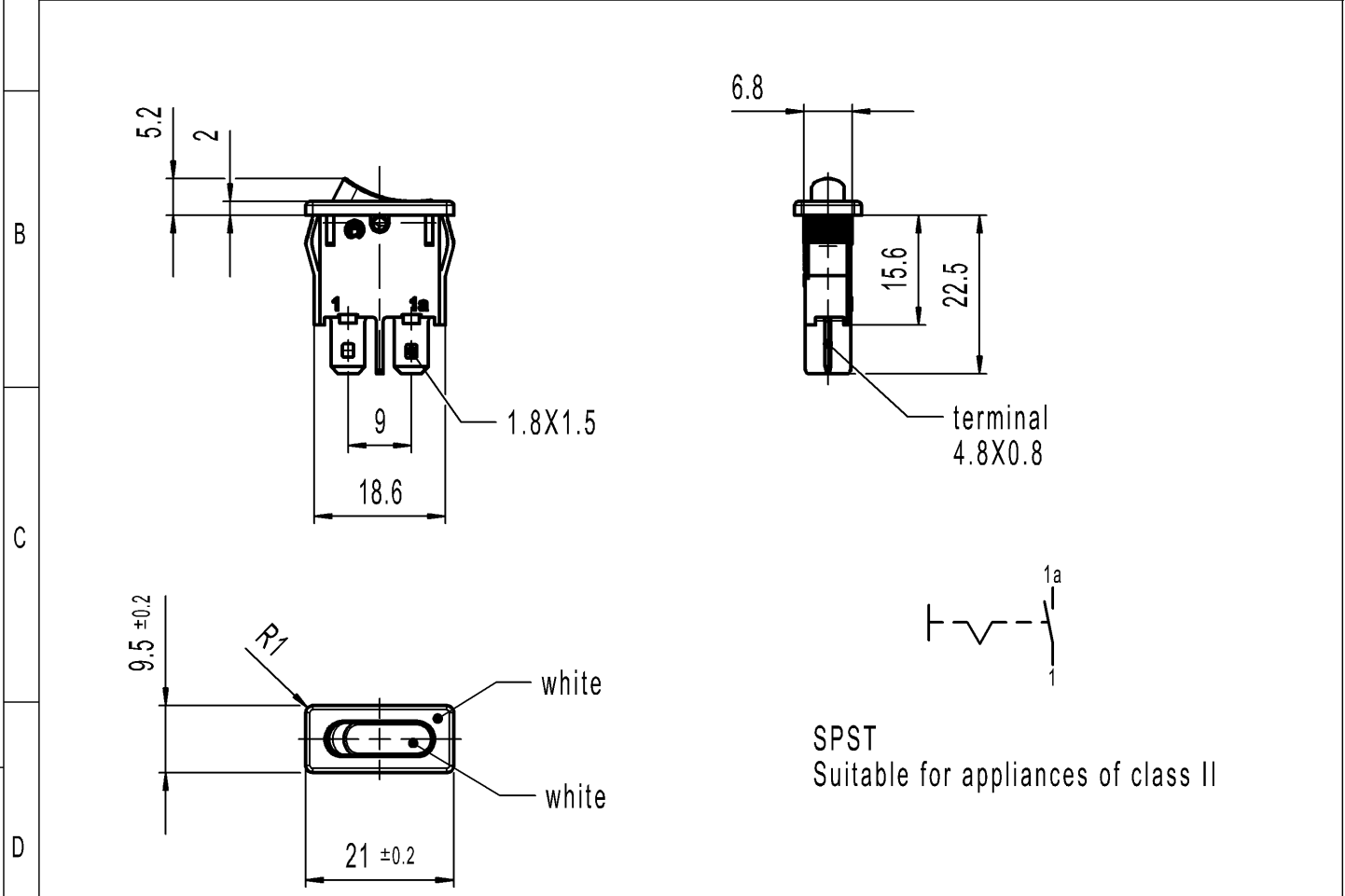
THIS DRAWING IS THE EXCLUSIVE PROPERTY OF MARQUARDT. WITHOUT THEIR CONSENT IT MAY NOT BE REPRODUCED OR GIVEN TO THIRD PARTIES.

CONFIDENTIAL

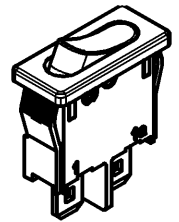
VERTRAULICH

Alle Rechte bei Marquardt, auch fuer den Fall von Schutzrechtsanmeldungen. Jede Veruegungsbefugnis, wie Kopier- und Weitergaberecht, bei uns.

A	recommended cut-out for snap-in fixing (edge opposite to snap-in direction)	1	2	3	4
			wall thickness	length of cut-out	width of cut-out
			0.75 to 1.25	19.2 -0.1	6.8+0.1
			1.25 to 2	19.4 -0.1	6.8+0.1
		2 to 3	19.8 -0.1	6.8+0.1	

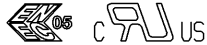


SPST
Suitable for appliances of class II



Marking

Ⓜ
1901.
4(1)/250~5E4
6(2)/250~
T80/55



Code of manufacture: place/year/week

-	-	1901.1101-XX																																				
Figure	Type	Customer Part No. Art.No.-PI																																				
Shape and location	Angle ± 2 °	Sheet 01																																				
	Edge tolerance		Ident. K																																			
Ⓜ	<table border="1"> <tr> <th colspan="2">Length</th> <th colspan="2">Radii</th> </tr> <tr> <td>0-6</td> <td>± 0.2</td> <td></td> <td>± 0.2</td> </tr> <tr> <td>>6-15</td> <td>± 0.2</td> <td></td> <td>± 0.3</td> </tr> <tr> <td>>15-30</td> <td>± 0.4</td> <td></td> <td>± 0.5</td> </tr> <tr> <td>>30-70</td> <td></td> <td></td> <td></td> </tr> <tr> <td></td> <td></td> <td></td> <td></td> </tr> <tr> <td></td> <td></td> <td></td> <td></td> </tr> <tr> <td></td> <td></td> <td></td> <td></td> </tr> <tr> <td></td> <td></td> <td></td> <td></td> </tr> </table>	Length		Radii		0-6	± 0.2		± 0.2	>6-15	± 0.2		± 0.3	>15-30	± 0.4		± 0.5	>30-70																				Document number 19011101
		Length		Radii																																		
0-6	± 0.2		± 0.2																																			
>6-15	± 0.2		± 0.3																																			
>15-30	± 0.4		± 0.5																																			
>30-70																																						
d	141238	2022-06-28	MOHITEN	Index d																																		
c	102884	2016-06-22	HHE	Appliance Switch																																		
b	45724	2005-12-13	hhe																																			
a	43248	2005-05-12	hhe																																			
Index	MEC-No.	Date (YYYY-MM-DD)	Edited by																																			
		All dimensions are in millimetres		System NX V1899 Replacement of Zg.gl.Nr.v.03.12.2003																																		
		Format DIN A4																																				
		Projection		1:1 Replacement of Zg.gl.Nr.v.03.12.2003																																		
		Scale																																				