

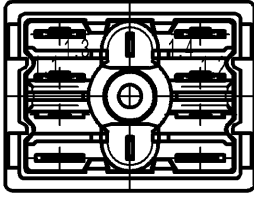
THIS DRAWING IS THE EXCLUSIVE PROPERTY OF MARQUARDT. WITHOUT THEIR CONSENT IT MAY NOT BE REPRODUCED OR GIVEN TO THIRD PARTIES.

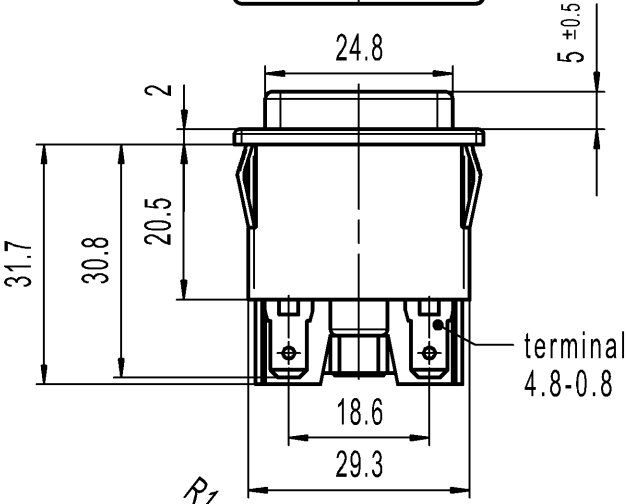
CONFIDENTIAL

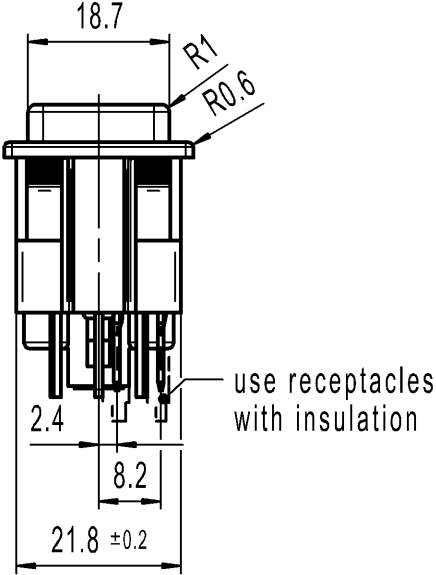
VERTRAULICH

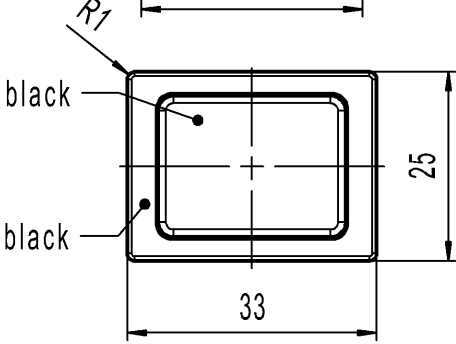
Alle Rechte bei Marquardt, auch fuer den Fall von Schutzrechtsanmeldungen. Jede Verfuugungsbefugnis, wie Kopier- und Weitergaberecht, bei uns.

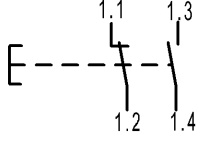
A	recommended cut-out for snap-in fixing (edge opposite to snap-in direction)	1	2	3	4
		wall thickness	length of cut-out	width of cut-out	
		0.75 to 1	30 +0.1	22.2 +0.2	
		>1 to 1.5	30.2 +0.1	22.2 +0.2	
		>1.5 to 3	30.4 +0.1	22.2 +0.2	



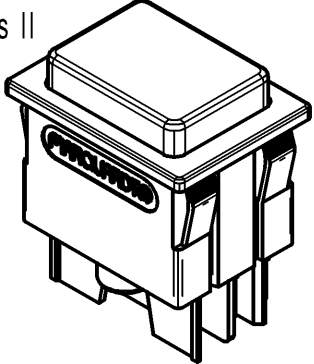




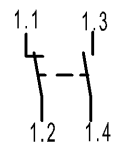




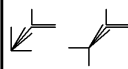

Single pole changeover
Total travel 4.5±0.4
Suitable for appliance of class II



Marking
MARQUARDT®
1664. µ
12(4)/250~ T85



Code of manufacture: place/year/week

-		-		-		1664.0101-XX	
Figure		Type		Customer Part No.		Art.No.-PI	
Shape and location	Angle ± 2 °	Length		Radii		Sheet	01
	Edge tolerance	0-6	± 0.2	±	± 0.2	Ident.	K
⊙ ≡		>6-15	± 0.4	±	±	Document number	16640101
		>15-30	± 0.4	±	±	Index	c
		>30-70	± 0.6	±	±	Appliance Switch	
			±	±	±		
			±	±	±	MARQUARDT	
			±	±	±		
c	137245	2022-02-25	MOHITEN	Sheet	01	All dimensions are in millimetres	
b	32547	2002-06-03	SIG	Format	A4		
a	18325	1987-12-08	PA	Projection		Scale	1:1
Index	MEC-No.	Date (YYYY-MM-DD)	Edited by	System	NX V1872	MARQUARDT	
				Replacement of	Zg.gl.Nr.v.03.06.2002		