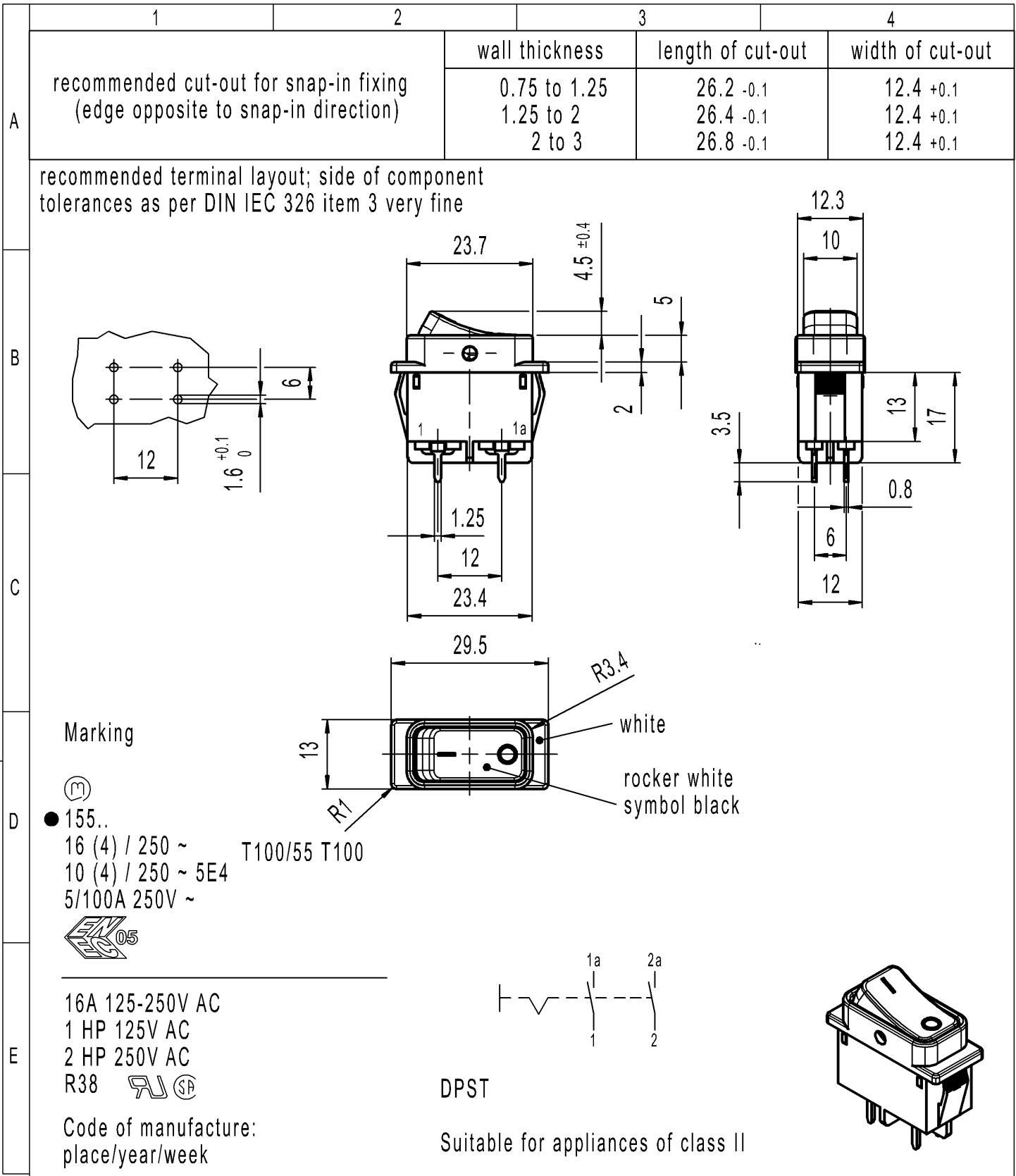


THIS DRAWING IS THE EXCLUSIVE PROPERTY OF MARQUARDT. WITHOUT THEIR CONSENT IT MAY NOT BE REPRODUCED OR GIVEN TO THIRD PARTIES.

CONFIDENTIAL

VERTRAULICH

Alle Rechte bei Marquardt, auch fuer den Fall von Schutzrechtsanmeldungen. Jede Verfuugungsbezugnis, wie Kopier- und Weitergaberecht, bei uns.



-	-	-	1552.2601-XX																																			
Figure	Type	Customer No.	Art.No.-PI																																			
Shape and location	Angle $\pm 2^\circ$	Sheet 01																																				
	Edge tolerance	Ident. K	Document number 15522601																																			
Ⓜ	<table border="1" style="width:100%; border-collapse: collapse;"> <tr> <th colspan="2">Length</th> <th colspan="2">Radii</th> </tr> <tr> <td>0-6</td> <td>± 0.2</td> <td>0-6</td> <td>± 0.2</td> </tr> <tr> <td>>6-15</td> <td>± 0.4</td> <td>>6-15</td> <td>\pm</td> </tr> <tr> <td>>15-30</td> <td>± 0.4</td> <td>>15-30</td> <td>\pm</td> </tr> <tr> <td>>30-70</td> <td>\pm</td> <td>>30-200</td> <td>\pm</td> </tr> <tr> <td>>70-120</td> <td>\pm</td> <td></td> <td>\pm</td> </tr> <tr> <td>>120-200</td> <td>\pm</td> <td></td> <td>\pm</td> </tr> <tr> <td></td> <td>\pm</td> <td></td> <td>\pm</td> </tr> <tr> <td></td> <td>\pm</td> <td></td> <td>\pm</td> </tr> </table>	Length		Radii		0-6	± 0.2	0-6	± 0.2	>6-15	± 0.4	>6-15	\pm	>15-30	± 0.4	>15-30	\pm	>30-70	\pm	>30-200	\pm	>70-120	\pm		\pm	>120-200	\pm		\pm		\pm		\pm		\pm		\pm	Index g
		Length		Radii																																		
0-6	± 0.2	0-6	± 0.2																																			
>6-15	± 0.4	>6-15	\pm																																			
>15-30	± 0.4	>15-30	\pm																																			
>30-70	\pm	>30-200	\pm																																			
>70-120	\pm		\pm																																			
>120-200	\pm		\pm																																			
	\pm		\pm																																			
	\pm		\pm																																			
g	134536	2020-10-29	MATHPATIR																																			
f	69572	2010-09-29	HHE																																			
d	23635	1996-01-16	RS																																			
c	22971	1994-09-23	MUT																																			
Index	MEC-No.	Date (YYYY-MM-DD)	Edited by																																			
		All dimensions are in millimetres																																				
		Appliance Switch																																				
		System NX V11.0																																				
		Replacement of																																				
		Zg.gl.Nr.v.27.05.1992																																				