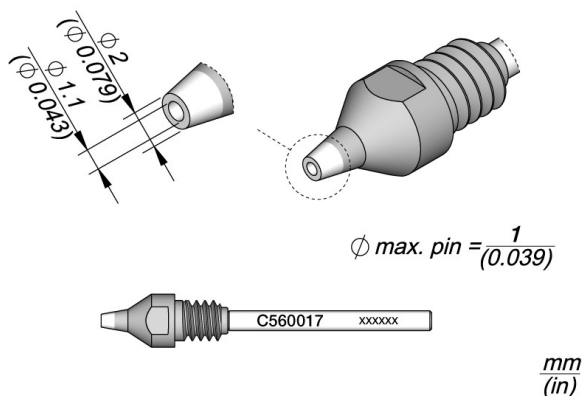


JBC C560017

Through-hole Desoldering Tip Ø 1.1

This range features many shapes and sizes to cover different applications.

Ensure a small clearance between the pin and the tip hole for optimal air suction and easy barrel cleaning.



REFERENCE

C560017

PRODUCT COMPOSITION

1 [Instruction Manual](#)

SPECIFICATIONS

Net weight 0,006 kg (0.01lb)

WEIGHT AND DIMENSIONS

Copyright © 2024 JBC Soldering S.L. | [Legal Notice](#) | [Privacy Policy](#) | [Terms and Conditions](#) | [Cookie policy](#) | [Internal Communication](#) | [RSS Feed](#) | [JBC Store](#) | [Contact Us](#)

CONNECTABLES

Compatible tools

**DR560-A****Desoldering Iron**

This website uses own and third-party technical, analysis and advertising cookies to anonymously facilitate browsing, customise the advertising and analyse website use statistics. We deem that by continuing to browse you accept their use.

[Learn more](#)

Manage Preferences

Reject All

Accept All