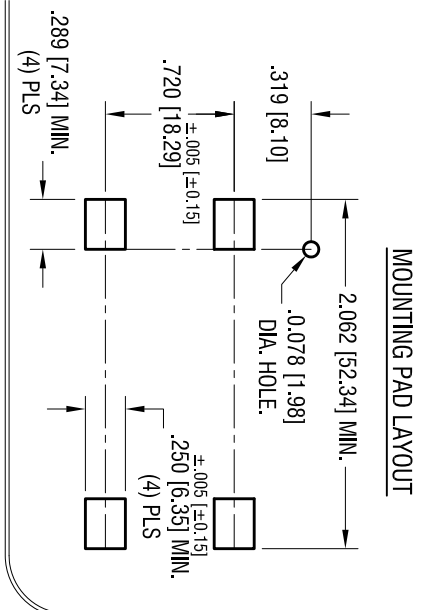
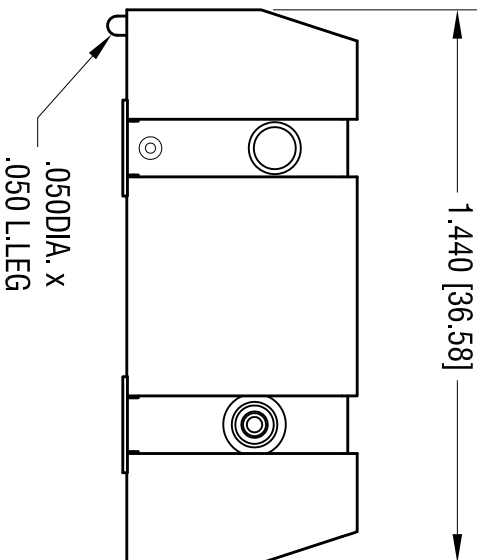


MOUNTING PAD LAYOUT



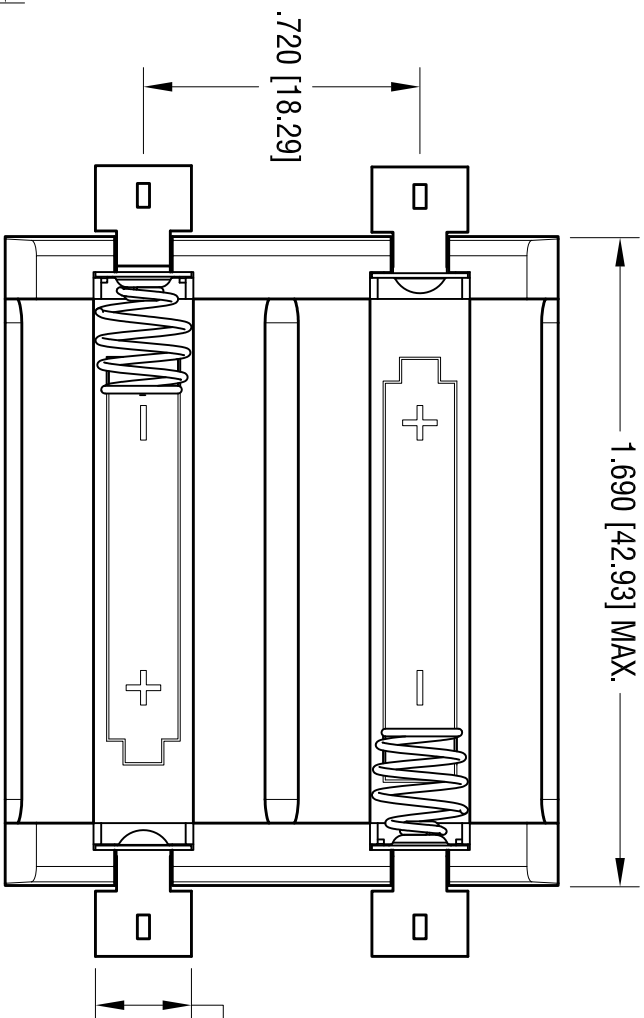
1.440 [36.58]



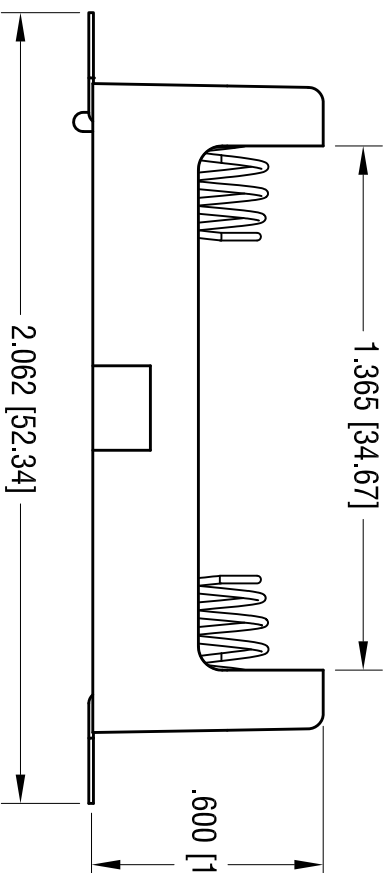
NOTE:

1. BASE:
MATL: HEAT RESISTANCE NYLON (UL94V-0)
STANYL 46 OR EQUIVALENT
2. CONTACT POSITIVE :
MATL: .012 [0.30] THK STAINLESS STEEL
FINISH: GOLD FLASH, OVER NICKEL PLATE.

1.690 [42.93] MAX.



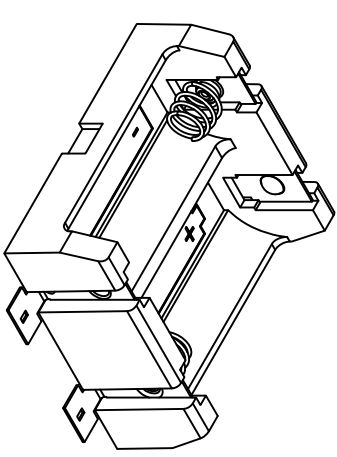
±.005 [±0.15]
.250 [6.35]
(2) PLS



2. CONTACT NEGATIVE :

- BASE MATL: .012 [0.30] THK STAINLESS STEEL
FINISH: GOLD FLASH, OVER NICKEL PLATE.
- SPRING: MATL-.020 [0.50] DIA, MUSIC WIRE
SPRING-.020 [0.50] DIA, MUSIC WIRE
FINISH: GOLD FLASH, OVER NICKEL PLATE.

ACTUAL SIZE



DATE

DESCRIPTION

REV.

KEYSTONE ELECTRONICS CORP.

www.keystone.com • ASTORIA, N.Y. 11105-2017 • Tel (718) 956-8900

PART NAME

SM BATTERY HOLDER, (2) CR123A

MATERIAL

AS NOTED

FINISH

AS NOTED

| TOLERANCES | INCH | [MM] | CODE | DWG NO. |
|----------------------------|--------|-------|----------|-------------|
| DECIMAL | ± .010 | [± | C | |
| ANGULAR | ± 1° |] | | |
| UNLESS OTHERWISE SPECIFIED | | | | |
| DRN BY | NT | DATE | 12.31.14 | |
| APP'D | LN | SCALE | 2X | |
| | | | | 1014 |

THIS DOCUMENT IS THE PROPERTY OF
KEYSTONE ELECTRONICS CORP. AND
SHALL NOT BE REPRODUCED, DISTRIBUTED
OR USED AS A BASIS FOR MANUFACTURE
WITHOUT PRIOR WRITTEN PERMISSION
FROM KEYSTONE ELECTRONICS CORP.