

Aero-acoustically optimized guard grilles

Axial fans size 800 and 910 (AC / EC)

MM-Information 01/2018

ebmpapst

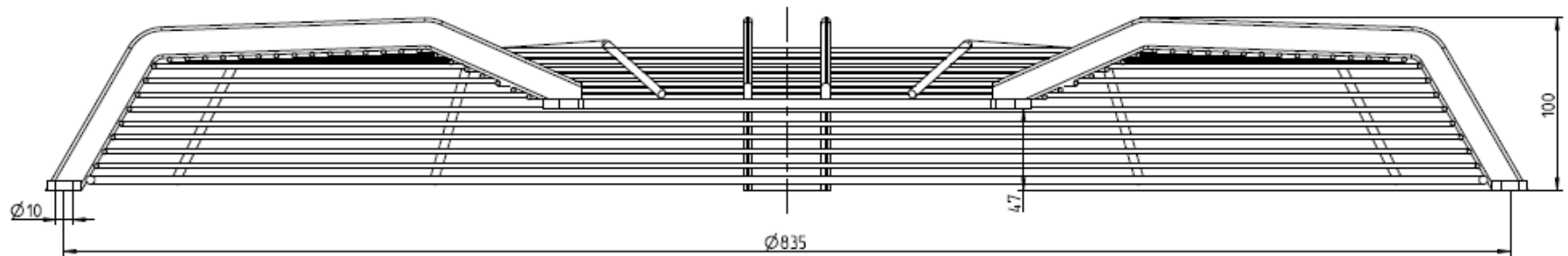
ebmpapst



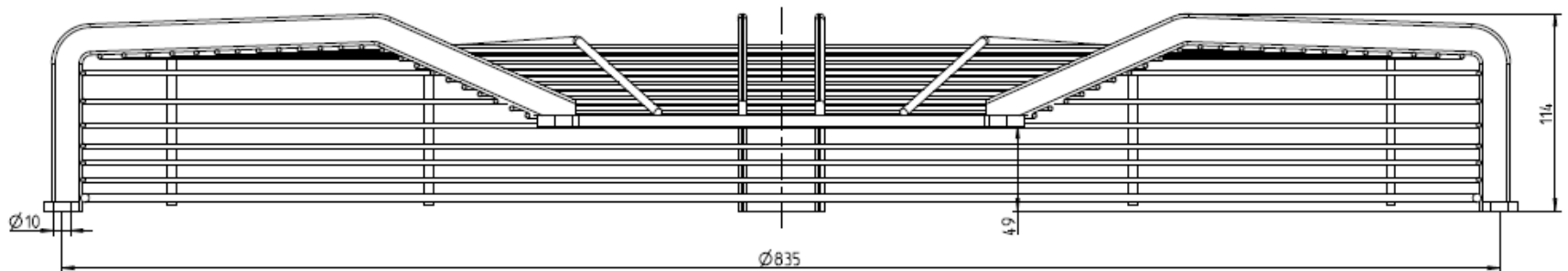
Overview:

Ø	Design	Today's guard grille	NEW: Aero-acoustically optimized guard grille
EC Ø 800	Axial fixing	33805-2-4039	36805-2-4039
		15805-2-4039	
		70040-2-4039	
	Radial fixing	15802-2-4039	36802-2-4039
EC Ø 910	Axial fixing	70043-2-4039	36915-2-4039
	Radial fixing	15912-2-4039	36912-2-4039
AC Ø 800	Axial fixing	32805-2-4039	37805-2-4039
		38805-2-4039	
	Radial fixing	39802-2-4039	37802-2-4039
AC Ø 910	Axial fixing	32915-2-4039	37915-2-4039
	Radial fixing	38912-2-4039	37912-2-4039

EC Ø 800 mm: axial fixing

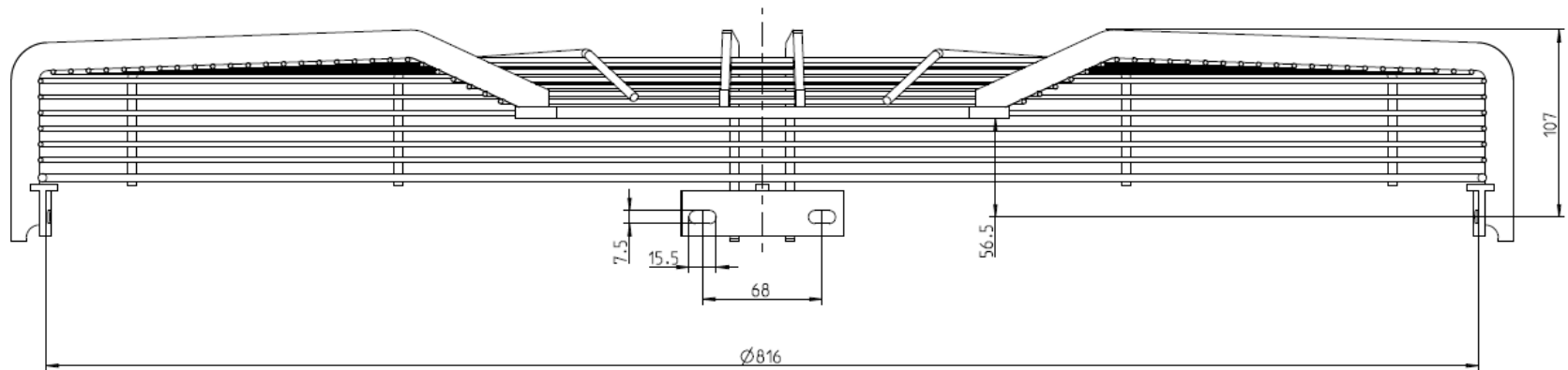


today's guard grille (33805-2-4039)

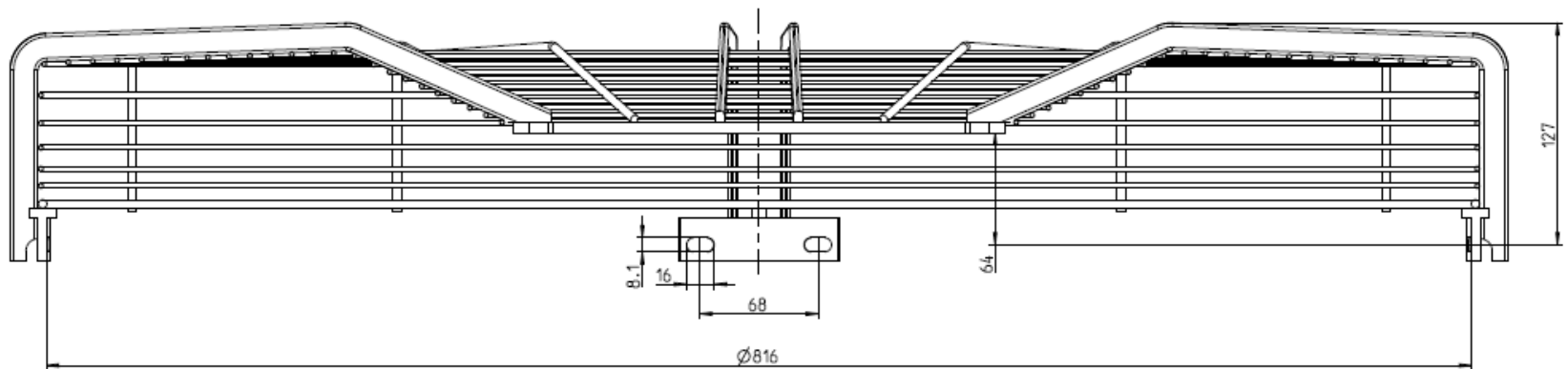


new standard guard grille (36805-2-4039)

EC Ø 800 mm: radial fixing



today's guard grille (15802-2-4039)

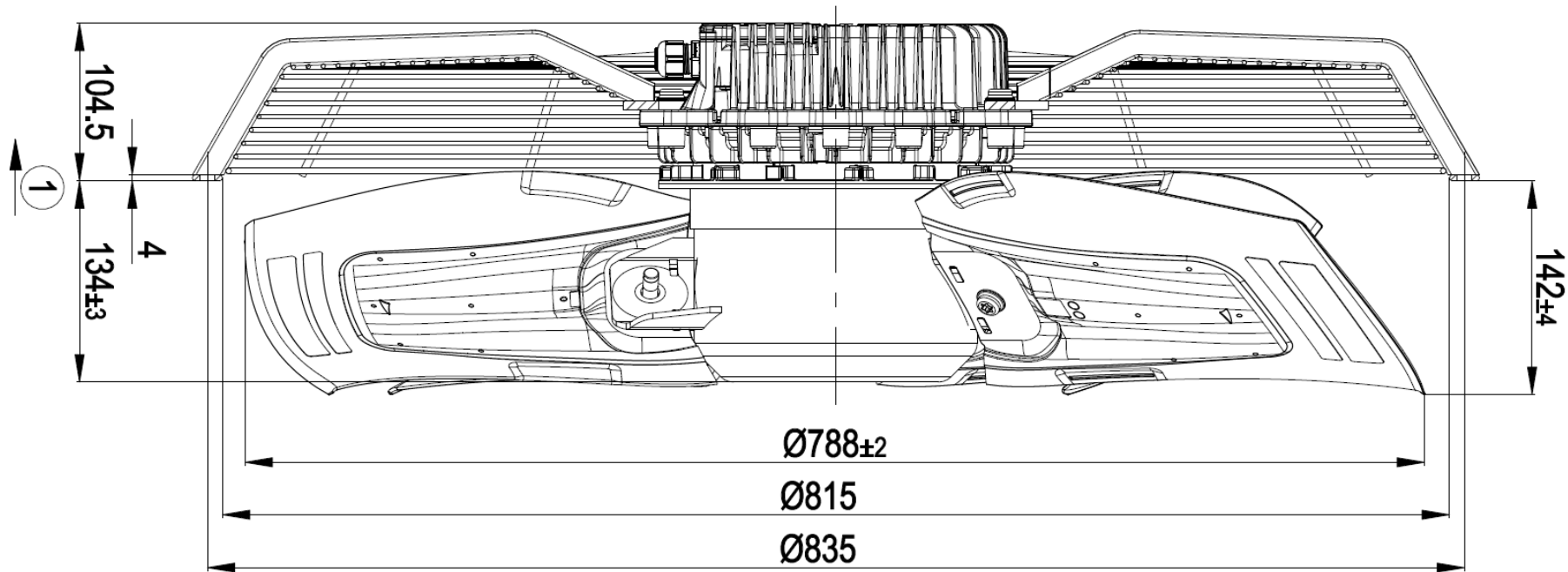


new standard guard grille (36802-2-4039)

Aero-acoustically optimized guard grilles

ebmpapst

EC Ø 800 mm: S-type

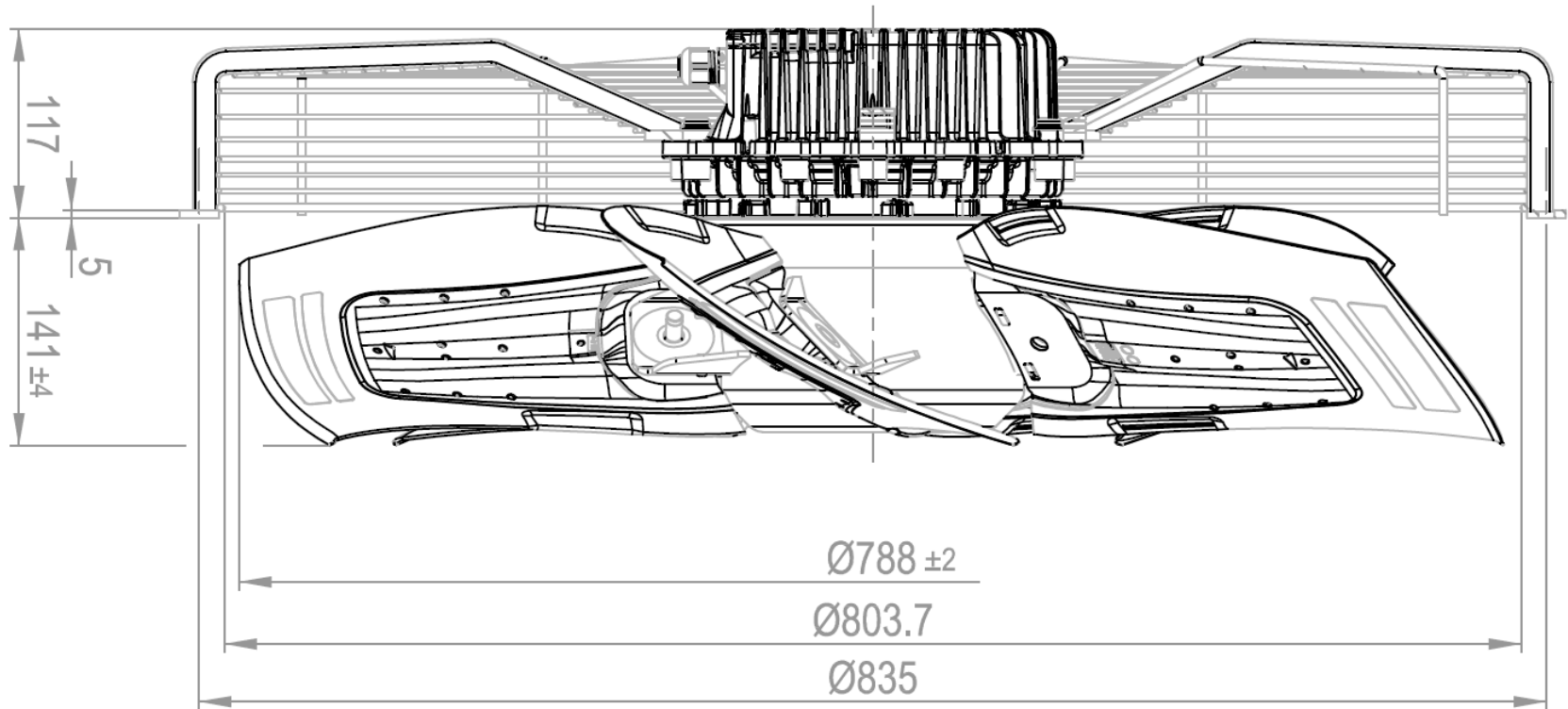


today's guard grille (33805-2-4039)

Aero-acoustically optimized guard grilles

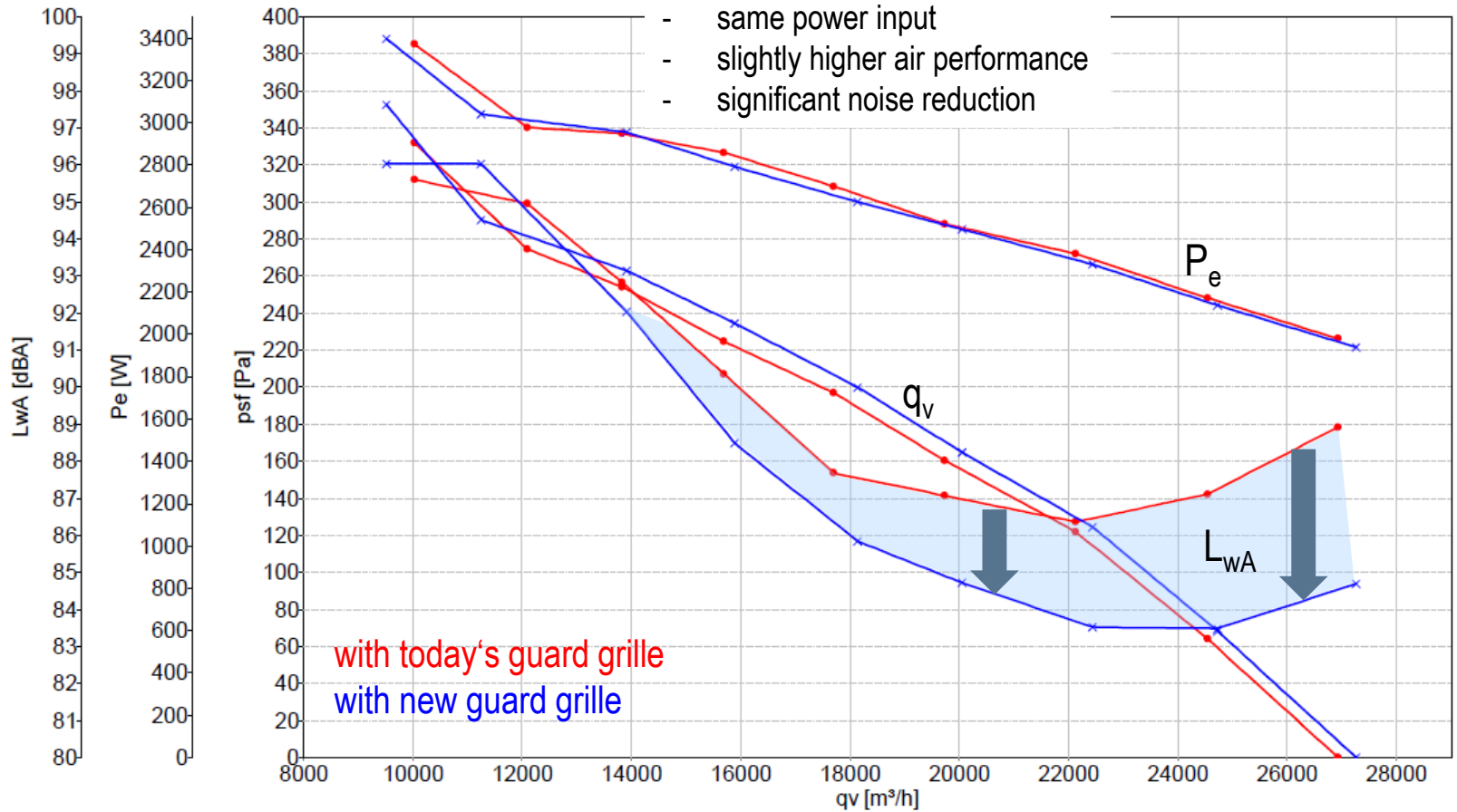
ebmpapst

EC Ø 800 mm: S-type



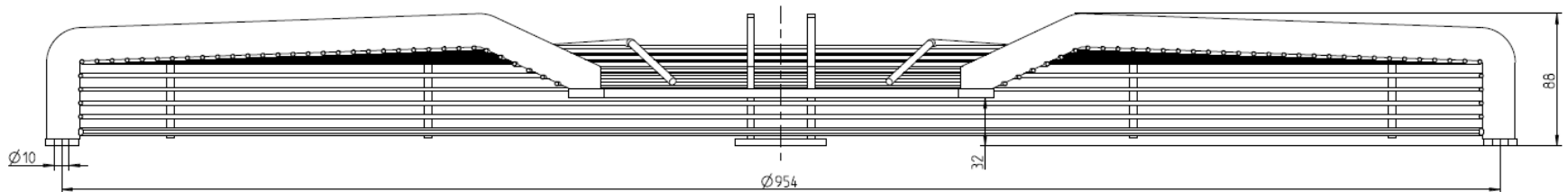
new standard guard grille (36805-2-4039)

W3G800-GV01: comparison of performance curves

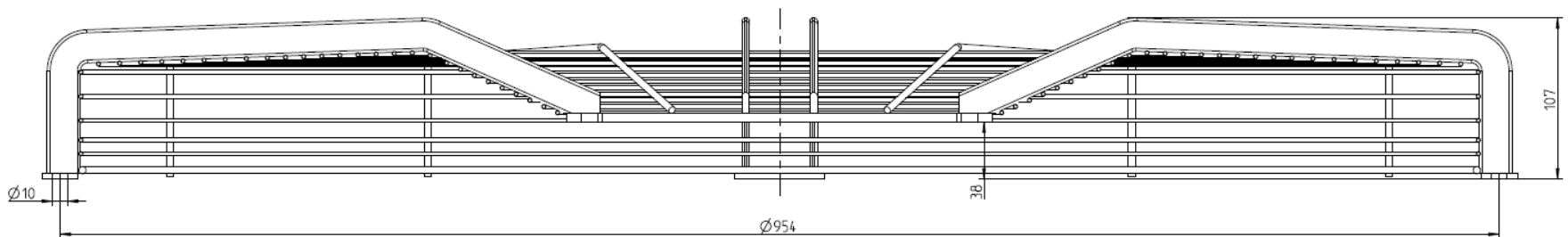


Strömungstechnisch optimierte Schutzgitter
aero-acoustically optimized guard grilles

EC Ø 910 mm: axial befestigt / axial fixing

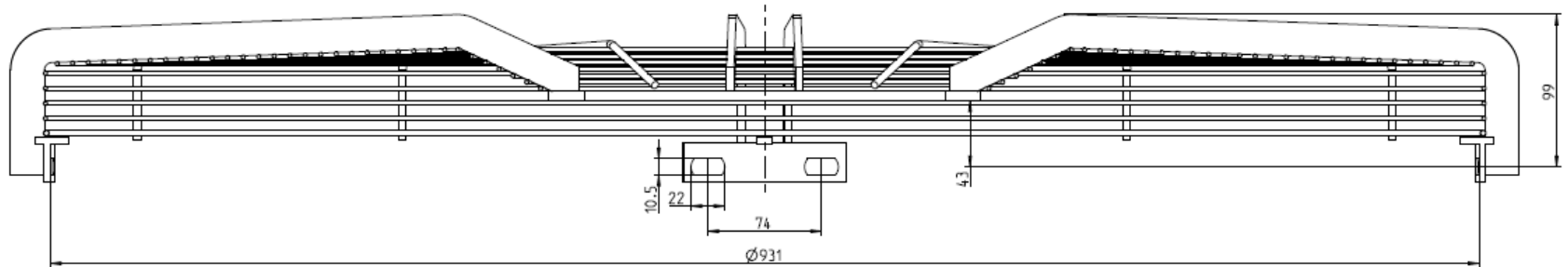


heutiges Schutzgitter / *today's guard grille (70043-2-4039)*

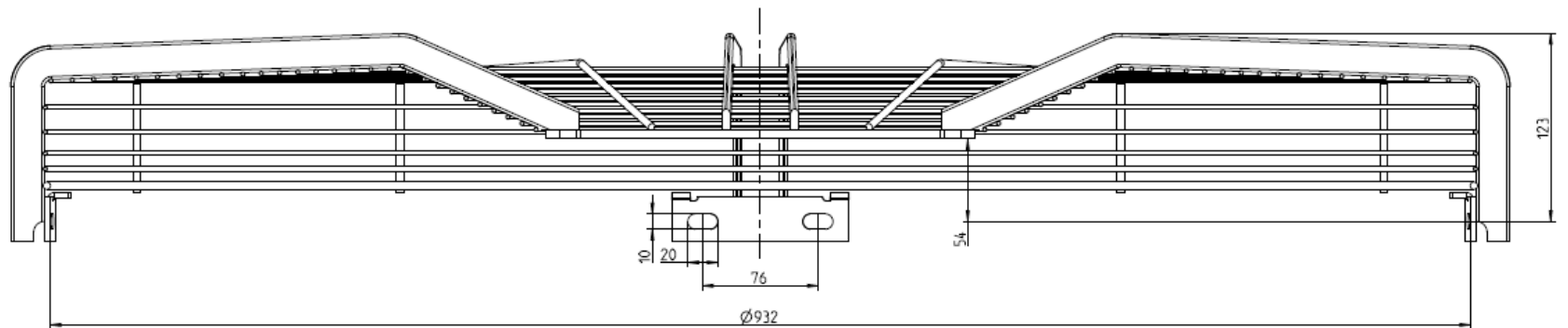


neues Standard-Schutzgitter / *new standard guard grille (36915-2-4039)*

EC Ø 910 mm: radial fixing



today's guard grille (15912-2-4039)

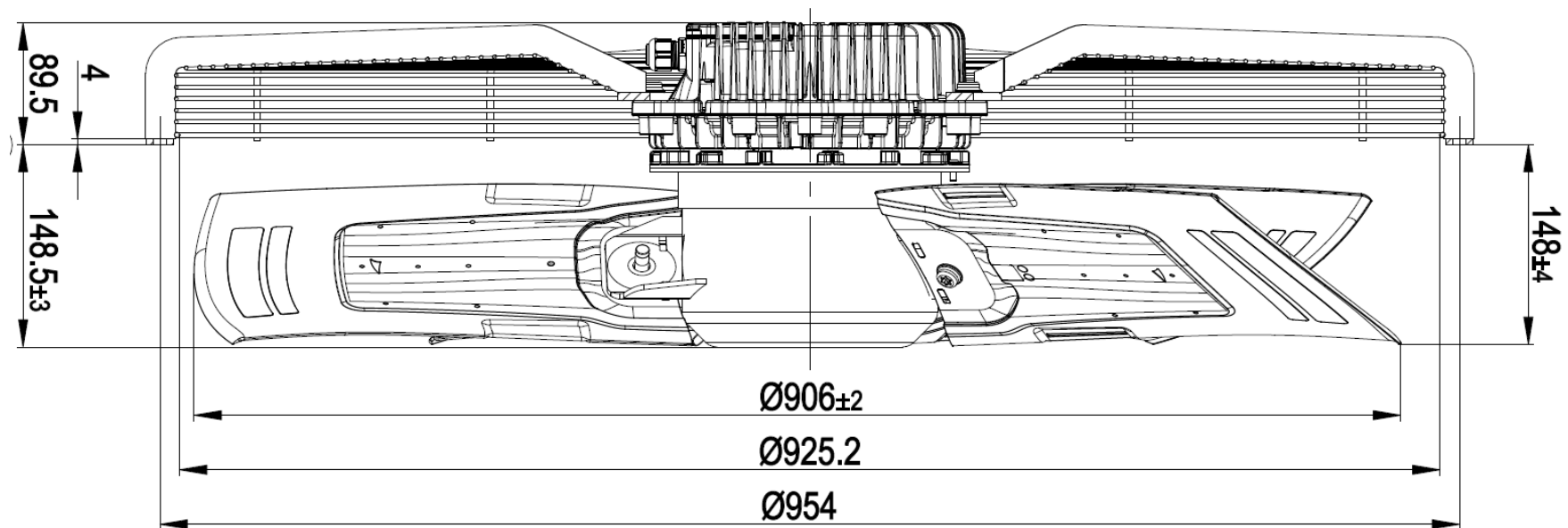


new standard guard grille (36912-2-4039)

Aero-acoustically optimized guard grilles

ebmpapst

EC Ø 910 mm: S-type

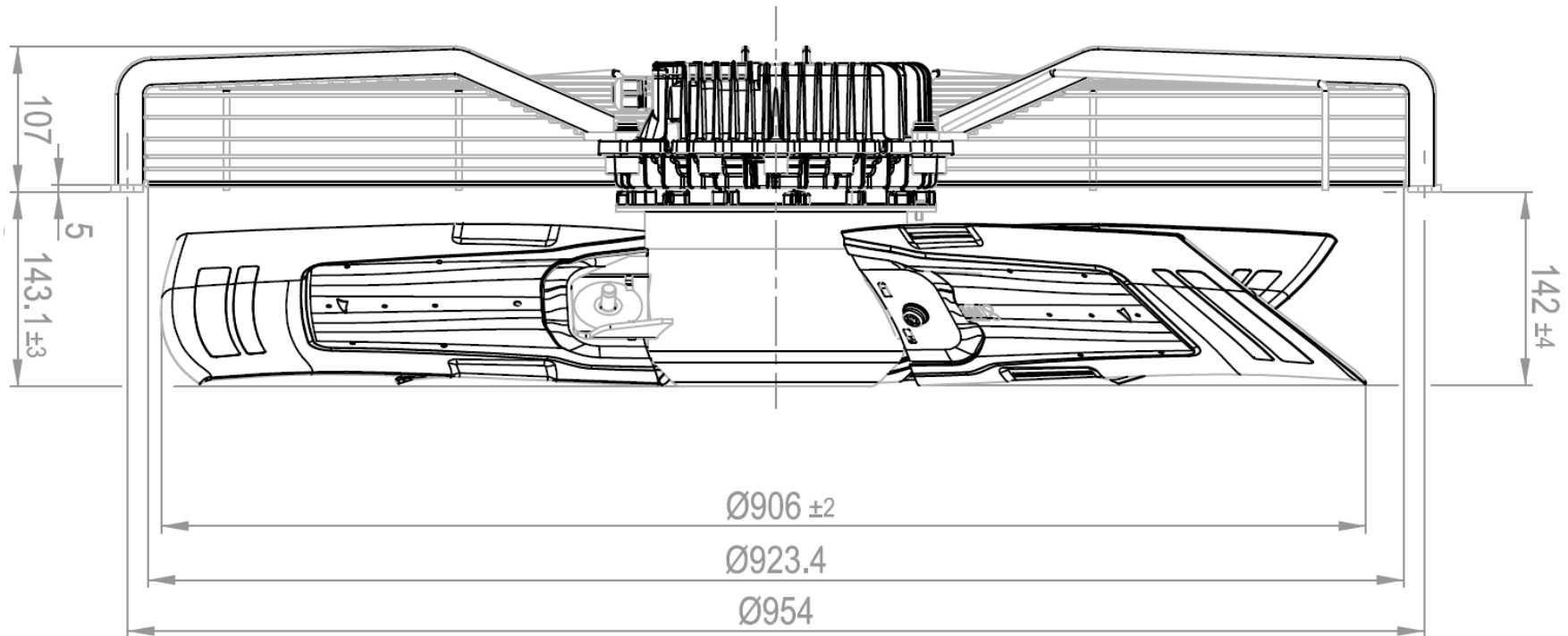


today's guard grille (70043-2-4039)

Aero-acoustically optimized guard grilles

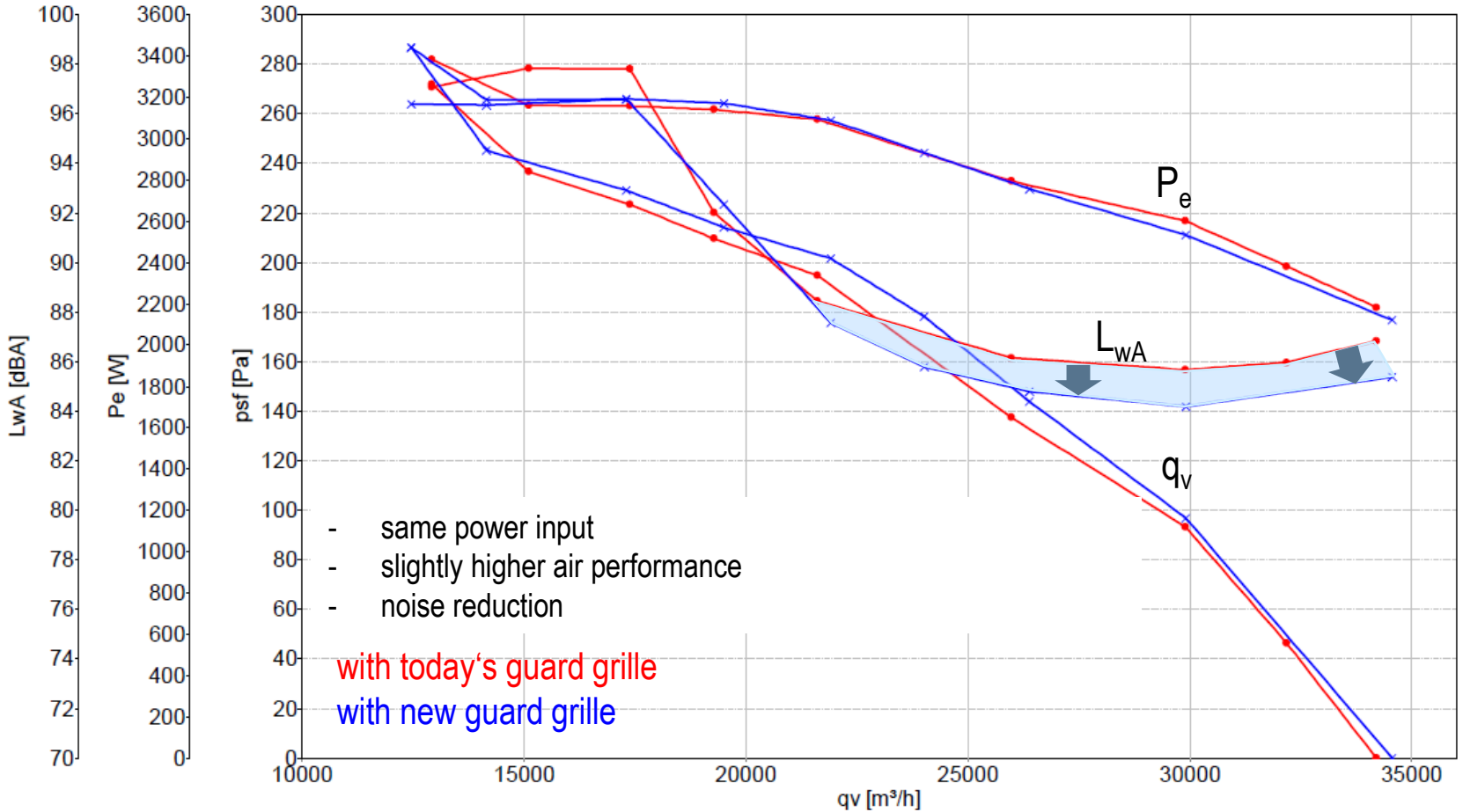
ebmpapst

EC Ø 910 mm: S-type



new standard guard grille (36915-2-4039)

W3G910-GV02: comparison of performance curves



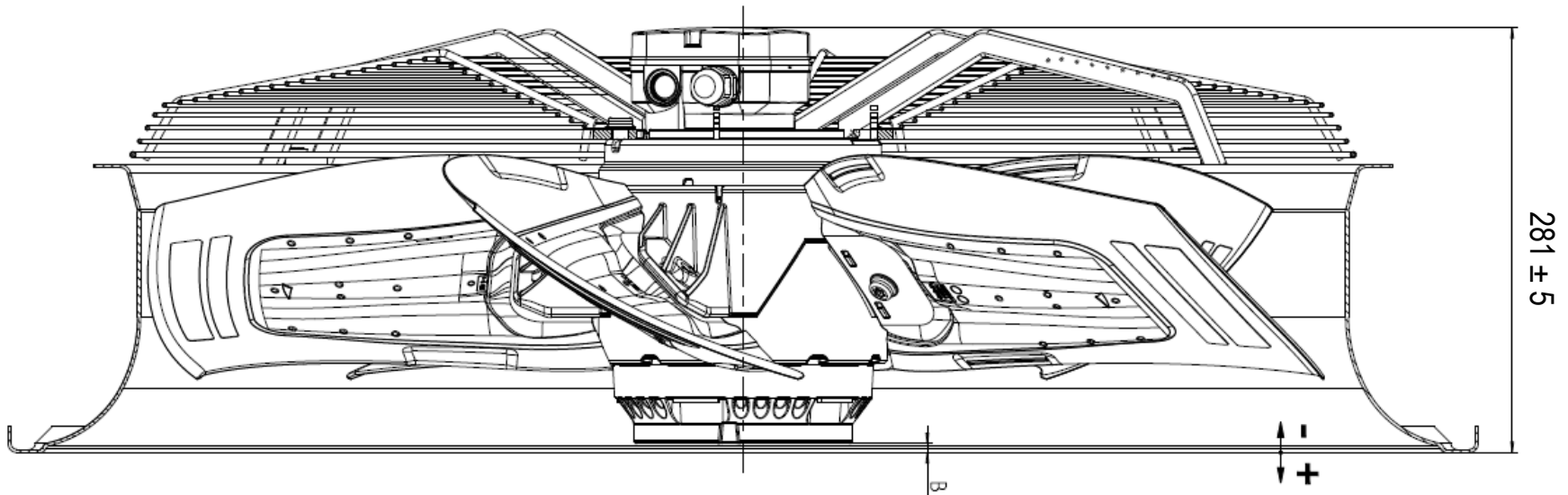
- same power input
- slightly higher air performance
- noise reduction

with today's guard grille
with new guard grille

Aero-acoustically optimized guard grilles

ebmpapst

AC Ø 800 mm: W-type axial fixing

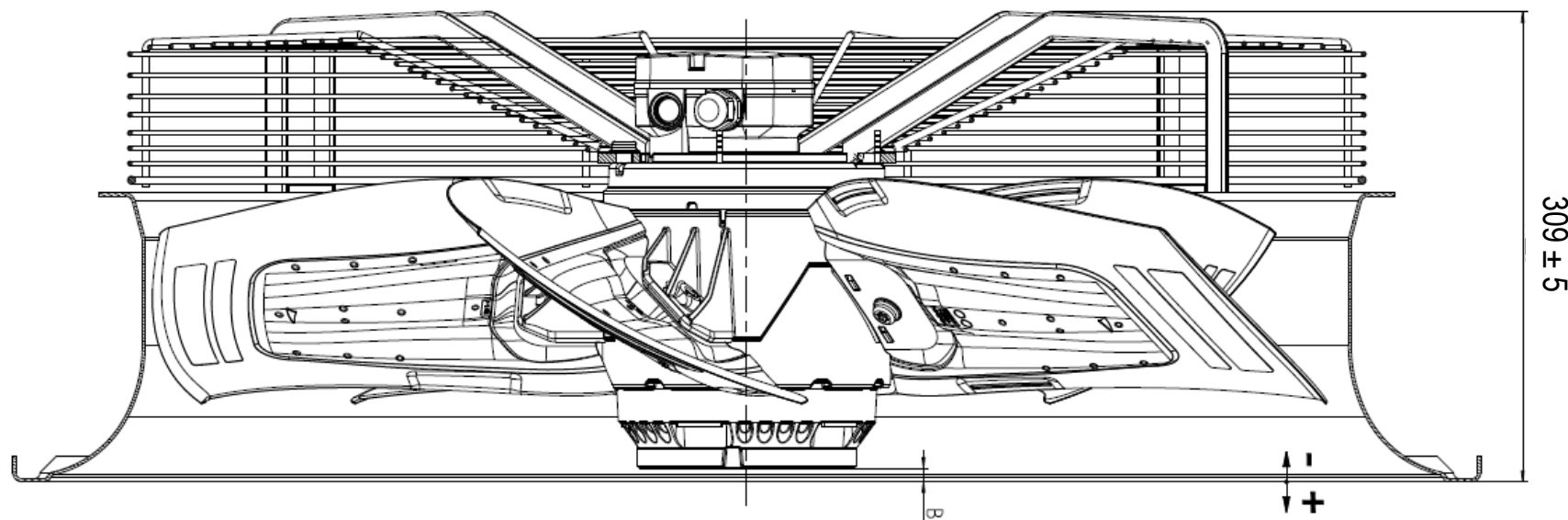


today's guard grille (32805-2-4039)

Aero-acoustically optimized guard grilles

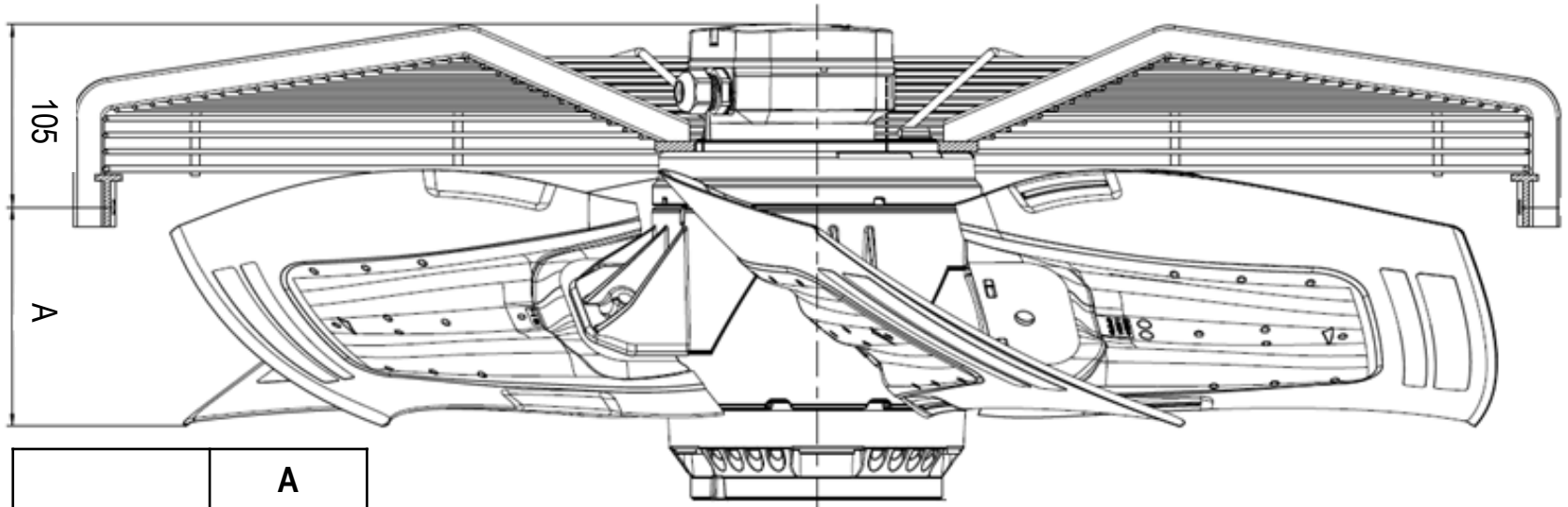
ebmpapst

AC Ø 800 mm: W-type axial fixing



new standard guard grille (37805-2-4039)

AC Ø 800 mm: S-type radial fixing



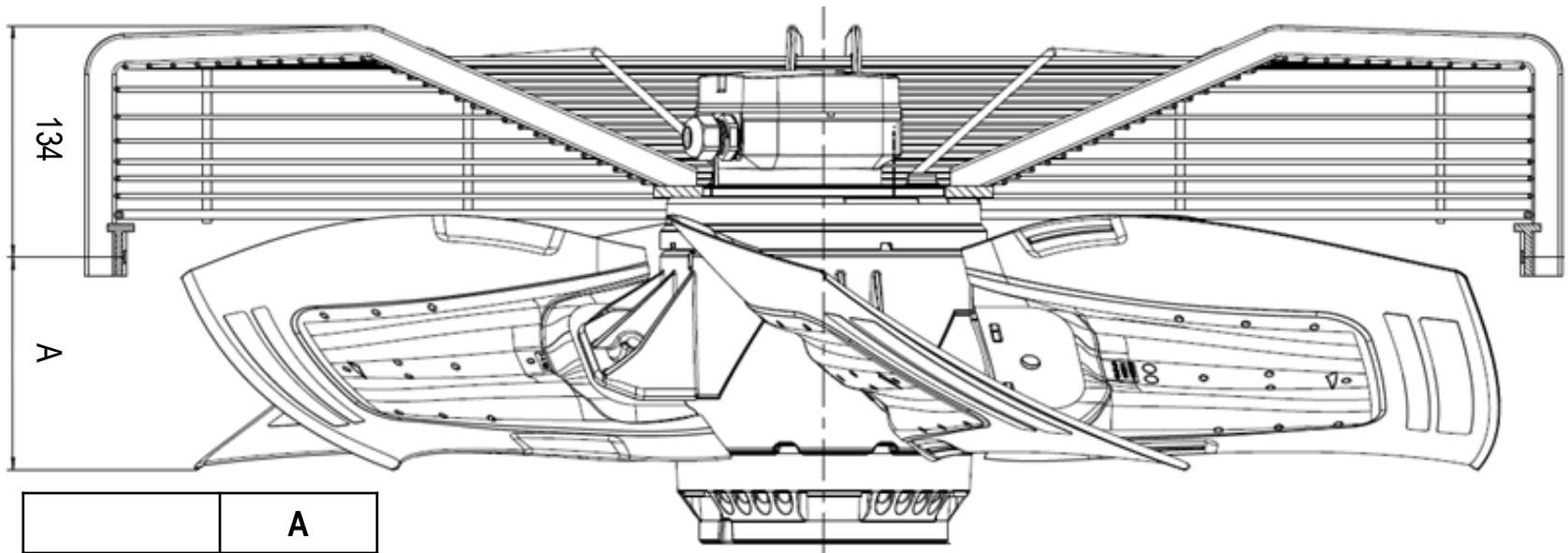
	A
AC 138-HF	118 mm
AC 138-LA	127 mm

today's guard grille (39802-2-4039)

Aero-acoustically optimized guard grilles

ebmpapst

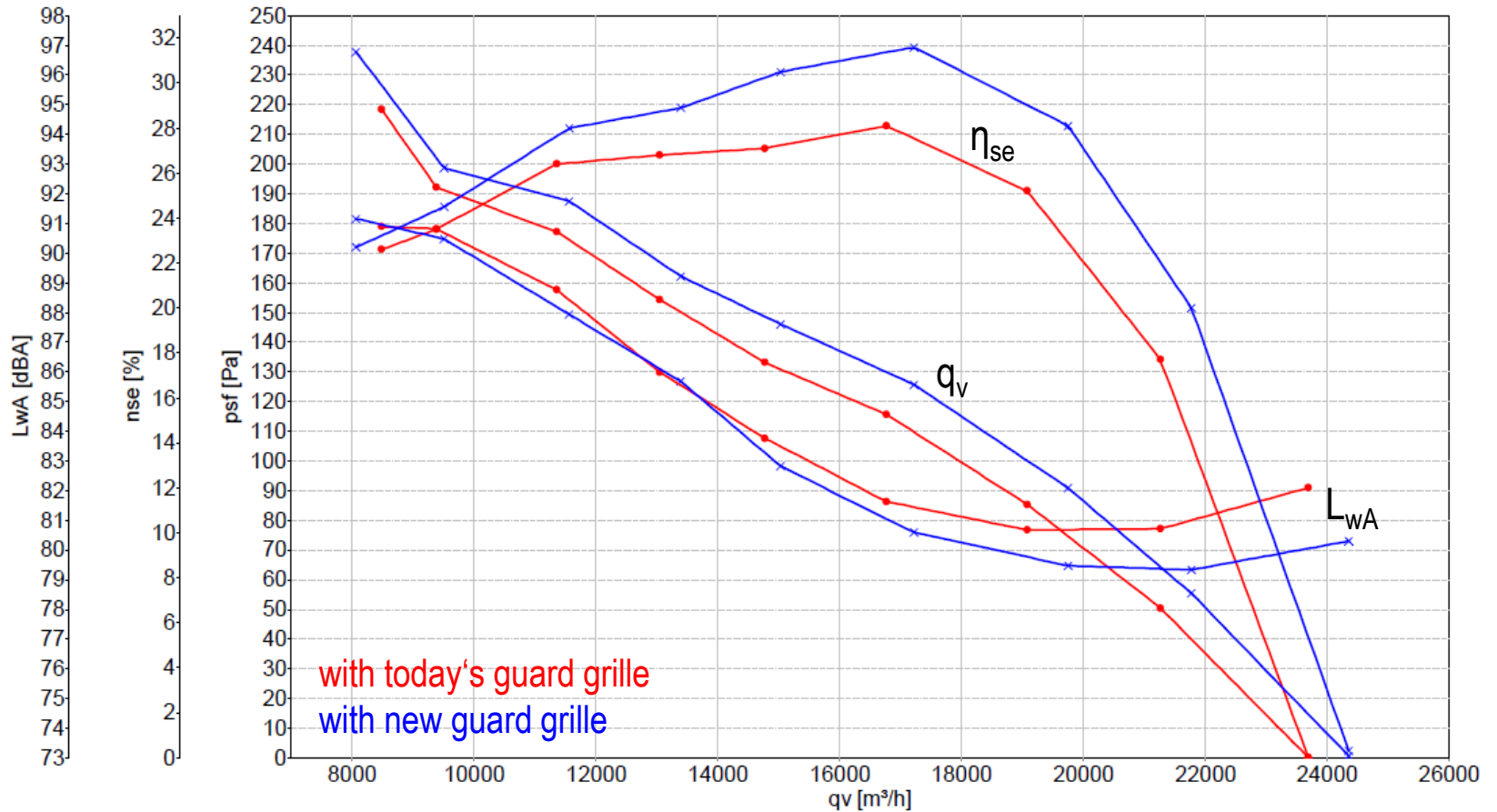
AC Ø 800 mm: S-type radial fixing



	A
AC 138-HF	115 mm
AC 138-LA	124 mm

new standard guard grilles (37802-2-4039)

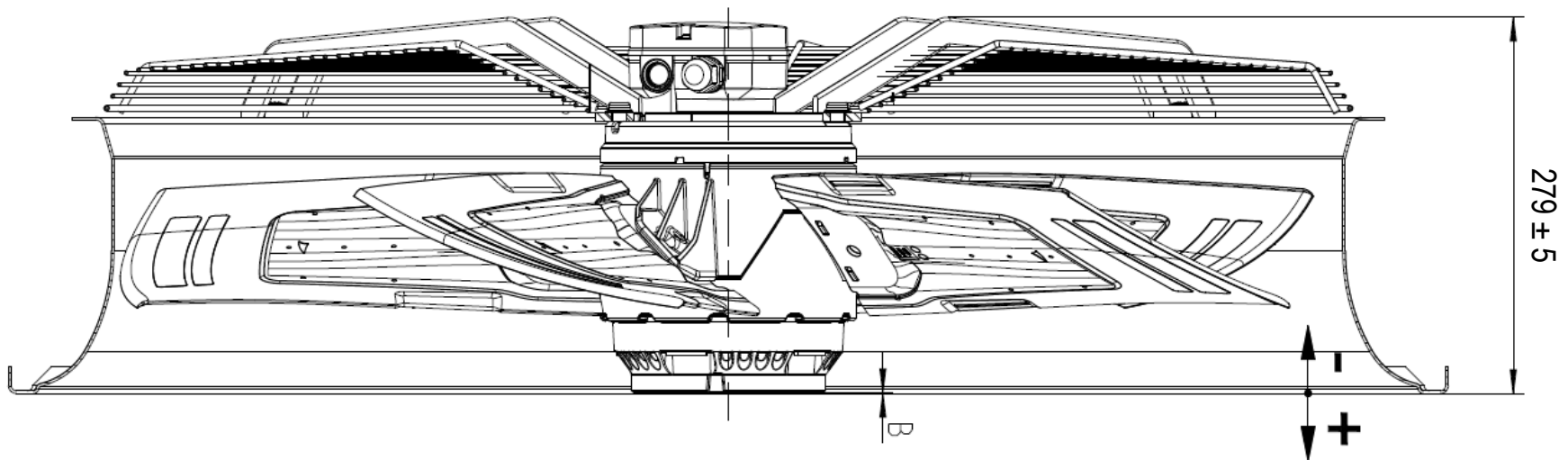
W6D800-GA01: Comparison of performance curves



Aero-acoustically optimized guard grilles

ebmpapst

AC Ø 910 mm: W-type axial fixing

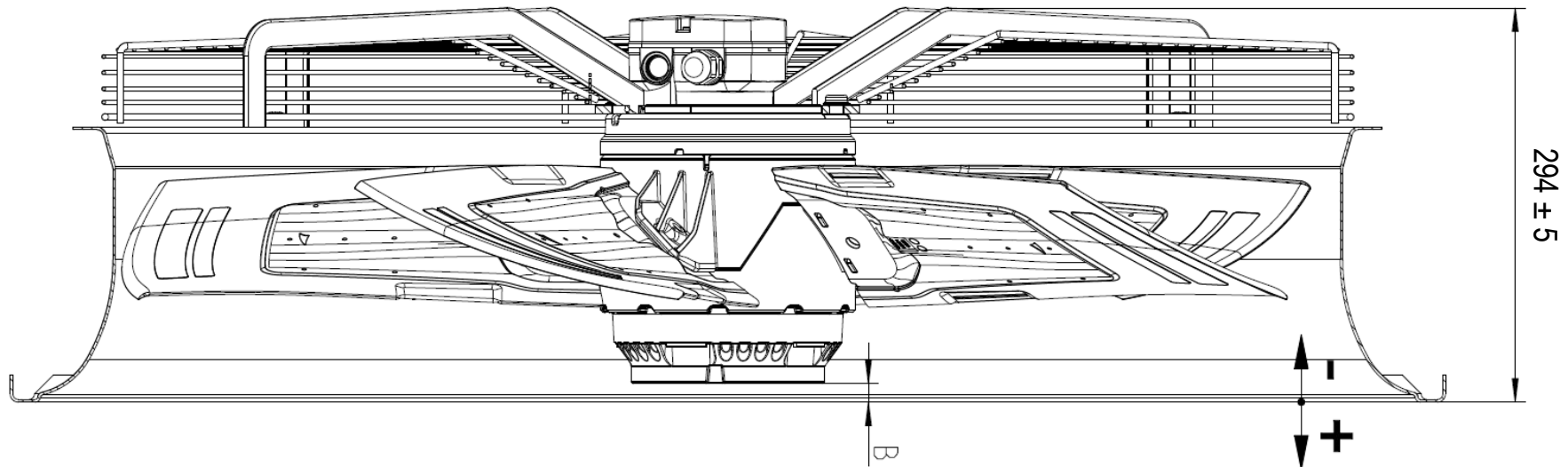


today's guard grille (32915-2-4039)

Aero-acoustically optimized guard grilles

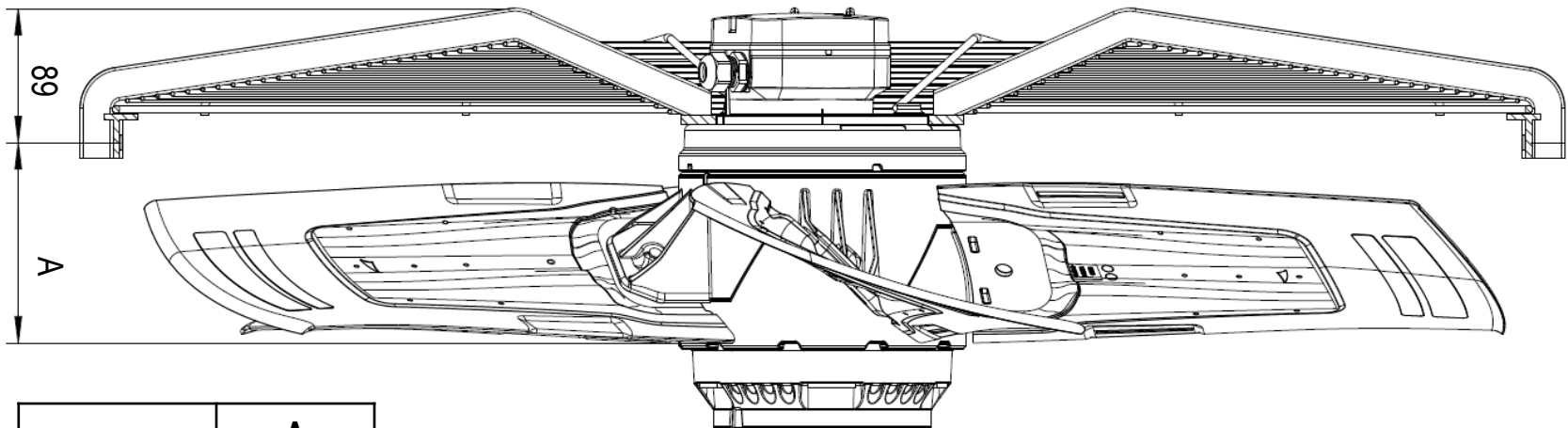
ebmpapst

AC Ø 910 mm: W-type axial fixing



new standard guard grille (37915-2-4039)

AC Ø 910 mm: S-type radial fixing



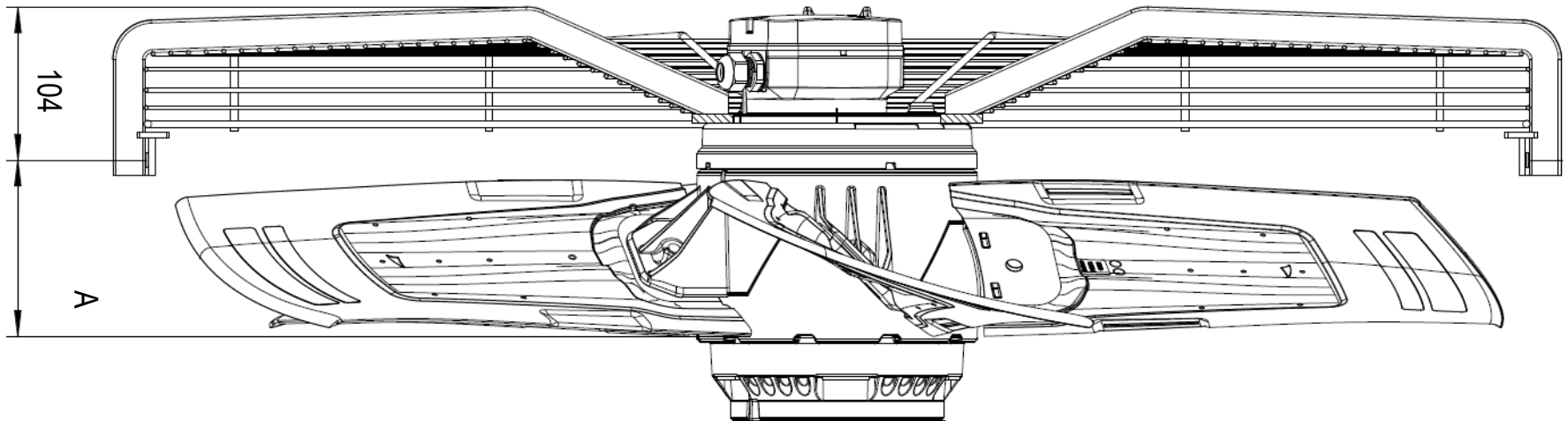
	A
AC 138-LA	132 mm
AC 138-NA	144 mm

today's guard grille (38912-2-4039)

Aero-acoustically optimized guard grilles

ebmpapst

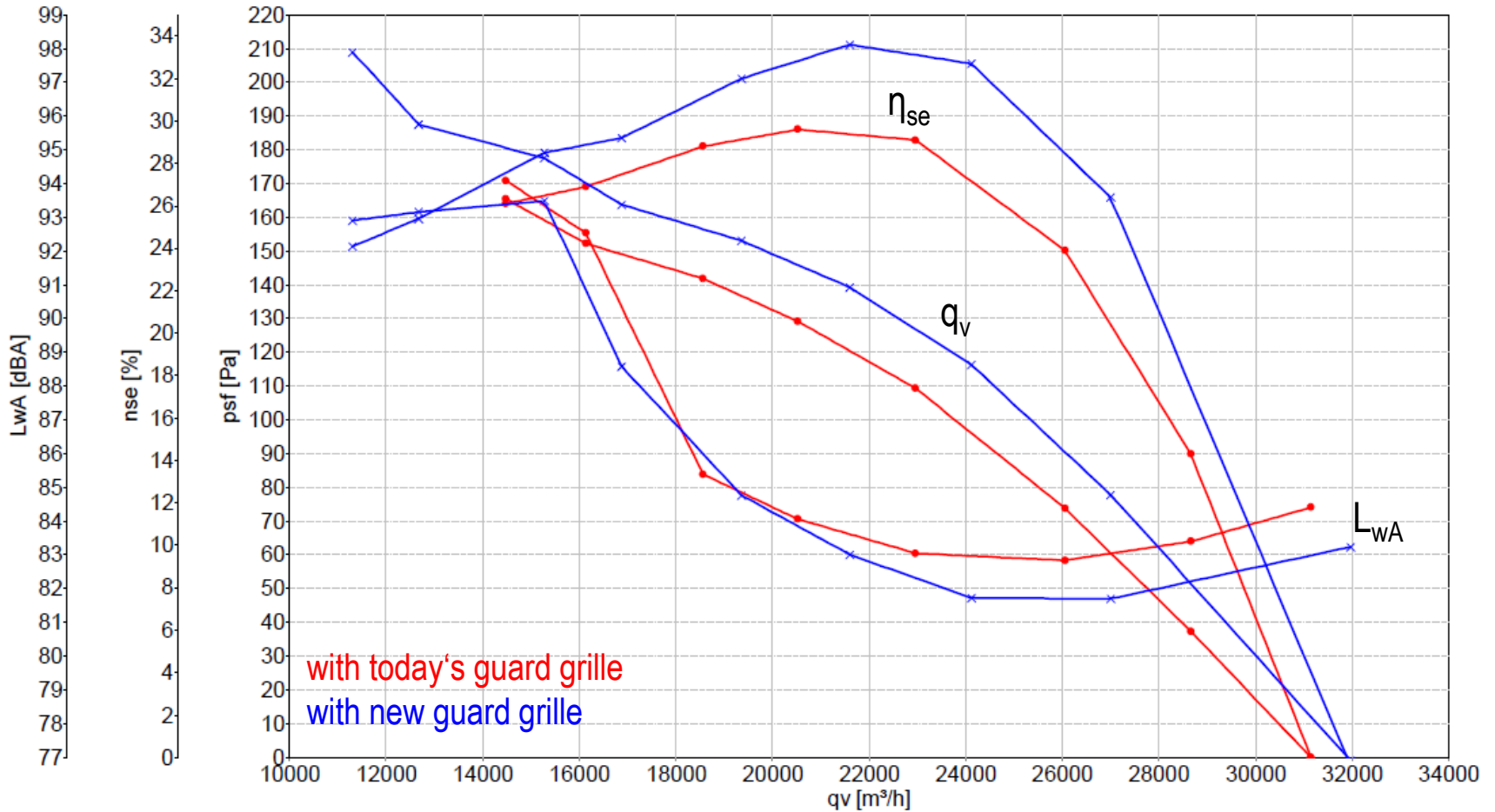
AC Ø 910 mm: S-type radial fixing



	A
AC 138-LA	119 mm
AC 138-NA	124 mm

new standard guard grille (37912-2-4039)

W6D910-GA01: Comparison of performance curves



Thank You

ebmpapst

